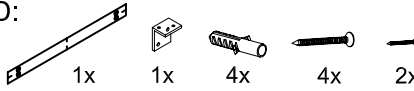



## Savoy Mirrors Assembly Instructions

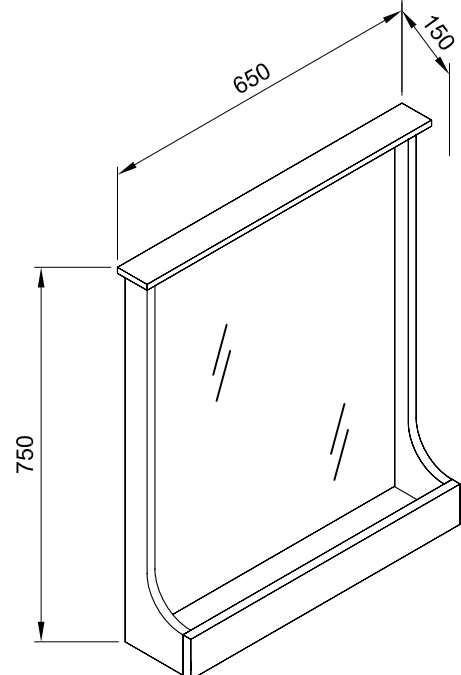
**IMPORTANT:** This unit must be securely fixed to a wall. Ensure that the top is horizontal before marking the wall for fixing. The wall fixings supplied may not be suitable for your installation. You may need to source alternatives depending on the material and strength of the wall you are fixing to.

**Care and Maintenance :** Please leave with the householder

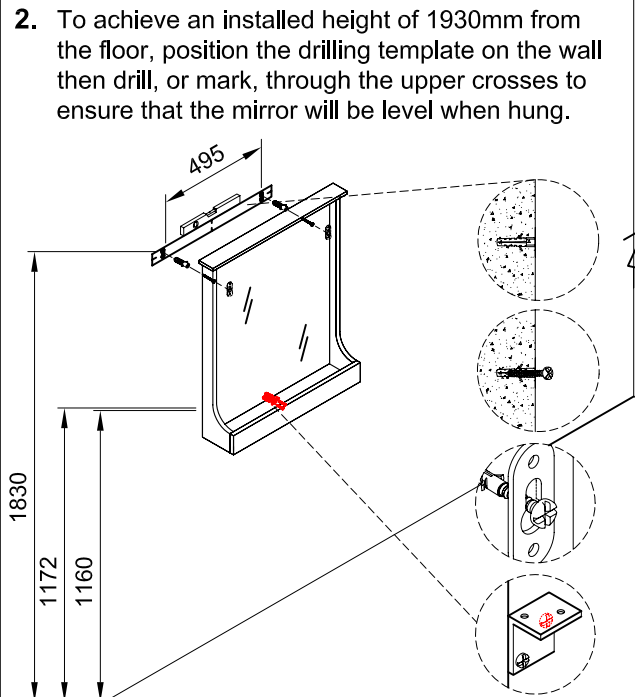
This furniture is made of wood, and has a water resistant finish. It should not be left wet, and the quality of the finish is best maintained if it is wiped with a dry cloth after use. It should only be cleaned using a soft damp cloth followed by a dry cloth. Do not use bleach or any abrasive cleaner.

<p><b>PARTS SUPPLIED:</b></p>  <p>1x 1x 4x 4x 2x</p>	<p><b>TOOLS REQUIRED:</b></p>  <p>(Ø6)</p>
---	--

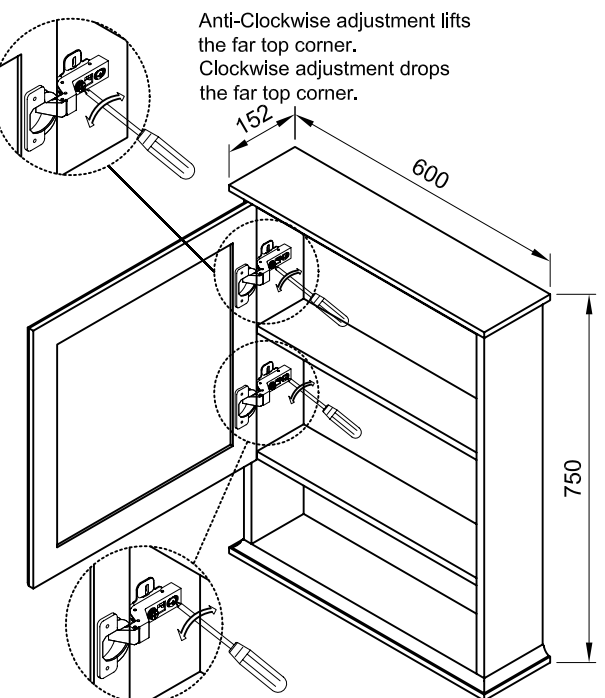
**1.**



**2.** To achieve an installed height of 1930mm from the floor, position the drilling template on the wall then drill, or mark, through the upper crosses to ensure that the mirror will be level when hung.



**1.**



Anti-Clockwise adjustment lifts the far top corner.  
Clockwise adjustment drops the far top corner.

**2.** To achieve an installed height of 1930mm from the floor, position the drilling template on the wall then drill, or mark, through the upper crosses to ensure that the mirror will be level when hung.

