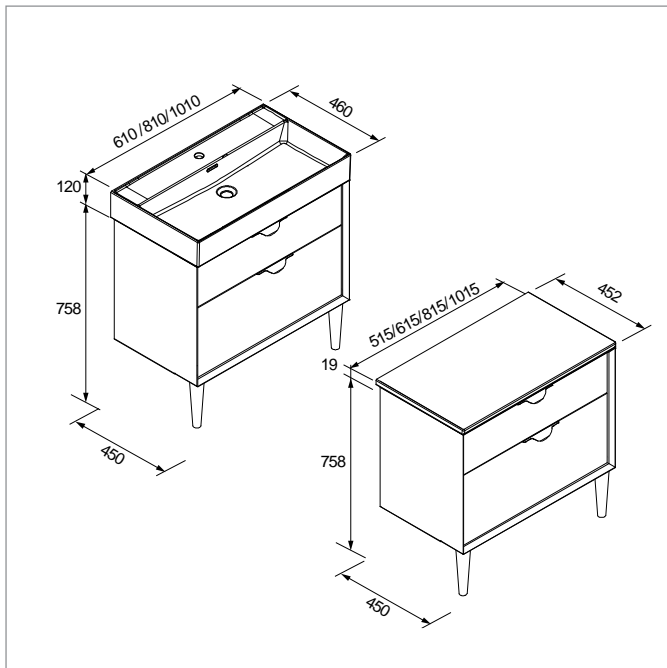


Assembly Instructions

Noir Craft 500 / 600 / 800 / 1000 basin unit

42000041050
42000041060
42000041070
42000041080



DIMENSIONS

500unit:

Width: 505mm
Depth: 450mm
Height: 758mm

DIMENSIONS

600unit:

Width: 605mm
Depth: 450mm
Height: 758mm

DIMENSIONS

800unit:

Width: 805mm
Depth: 450mm
Height: 758mm

DIMENSIONS

1000unit:

Width: 1005mm
Depth: 450mm
Height: 758mm

IMPORTANT:

This vanity unit can be securely fixed to a suitably strong wall. It may be necessary to reinforce the wall at the fixing points. The fixing method used to secure the unit to the wall must be suitable for the wall construction.

CARE AND MAINTENANCE:

A furniture unit must be cleaned with a damp cloth. Do not use abrasive products, and do not expose the furniture unit to chemical agents.

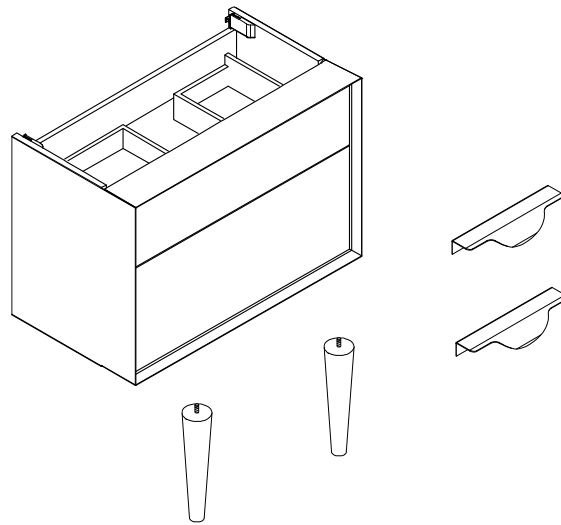
Excess liquid and excess humidity must be cleaned immediately to prevent penetration into the furniture unit.

Avoid contact with sharp items that can damage the furniture surfaces.

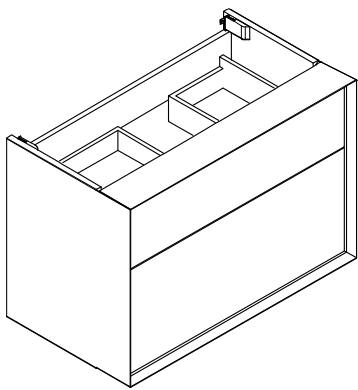
Excessive exposure to direct sunlight can cause discolouration and deterioration of the furniture finishes.

It is recommended to install the furniture in a well-ventilated area and to avoid direct exposure to sunlight.

EXPLODE VIEW



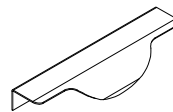
PIECES REQUIRED



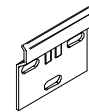
P01
X1



P02
X2

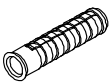


P03
X2

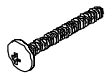


P04
X2

METAL FITTINGS REQUIRED



H01
X4



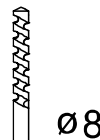
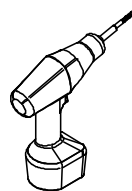
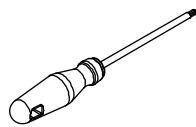
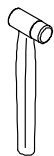
H02
X4



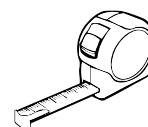
H03
X4

NOTE: Screws (H02) and Wall plugs (H01) are only for use in masonry walls. Appropriate fixings should be used for other types of wall.

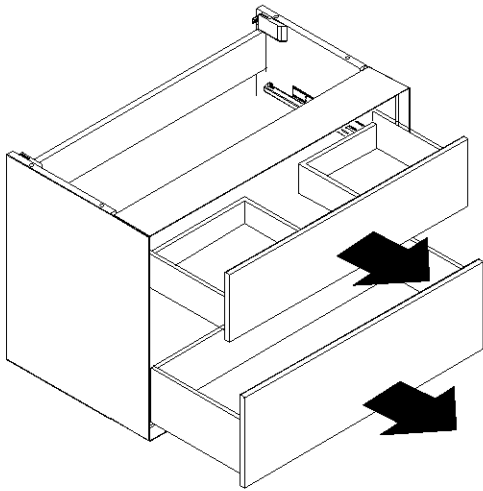
METAL FITTINGS REQUIRED



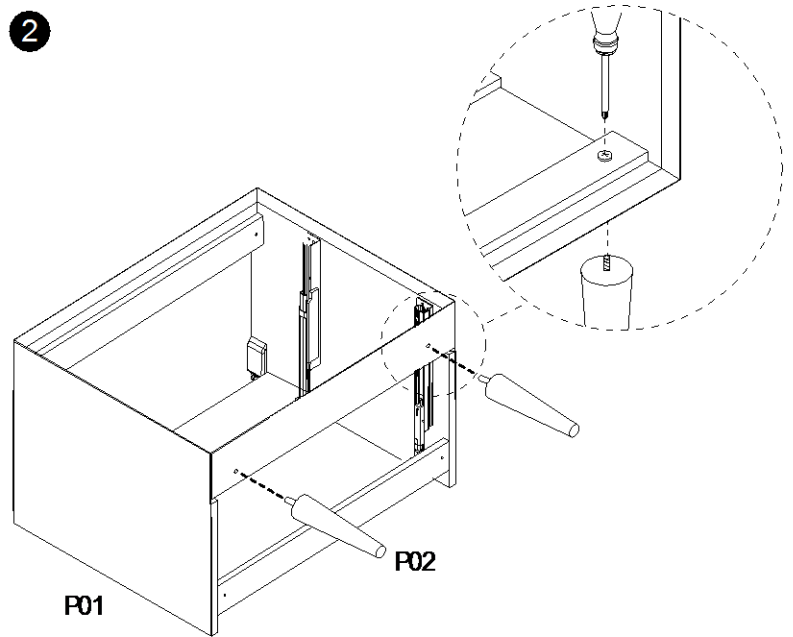
Ø8



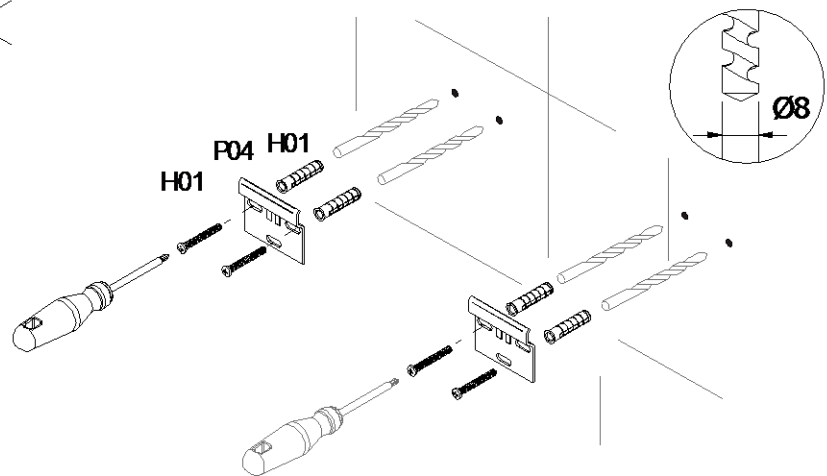
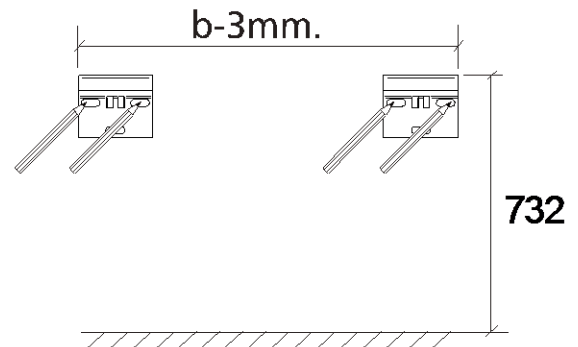
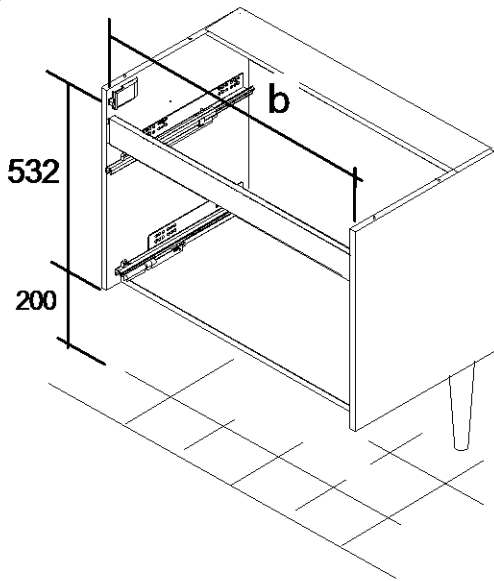
1



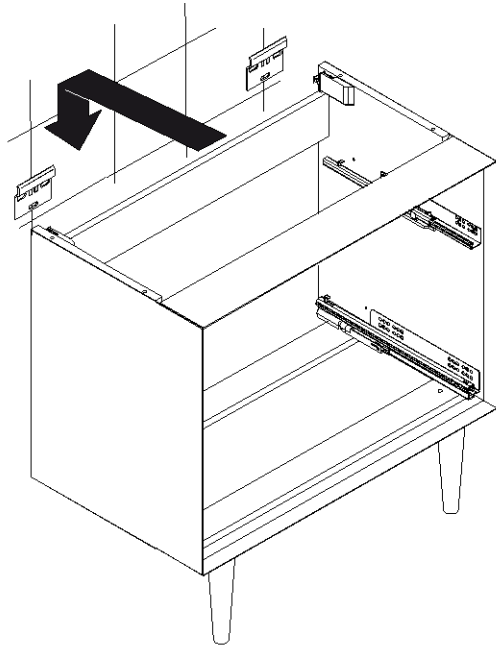
2



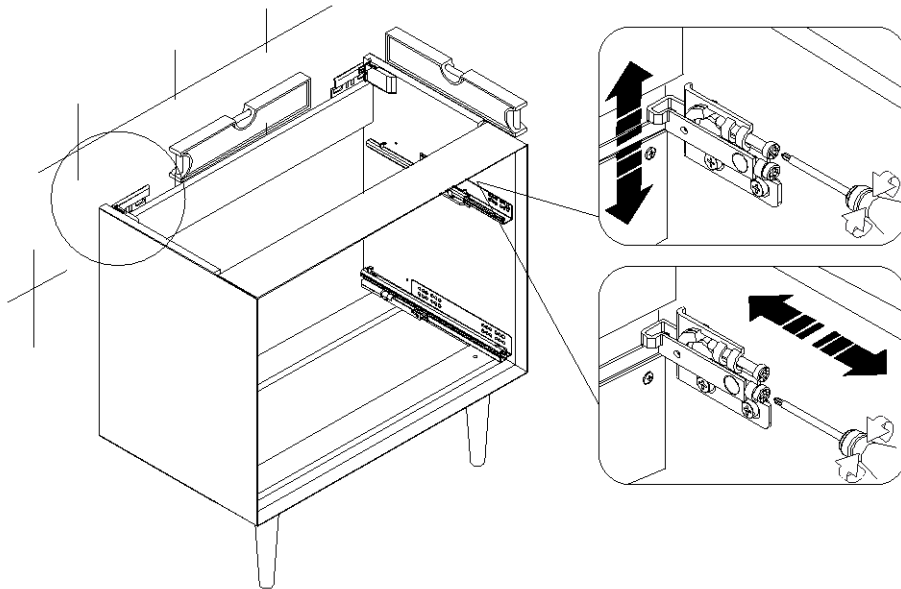
3



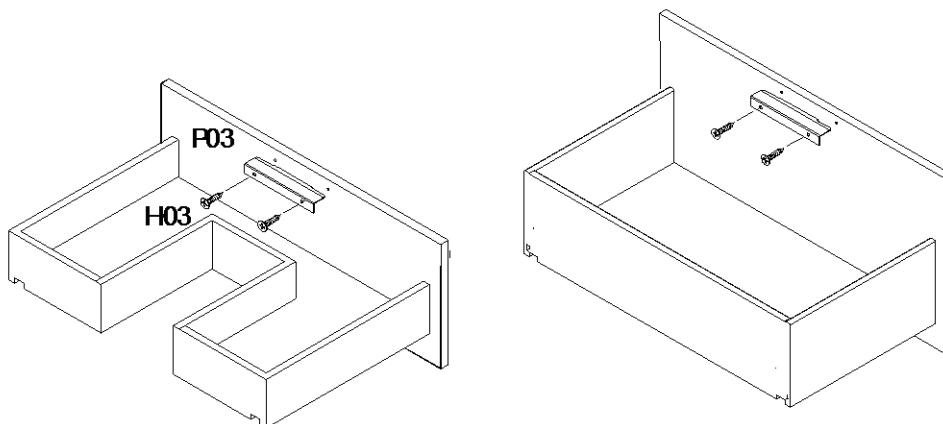
4



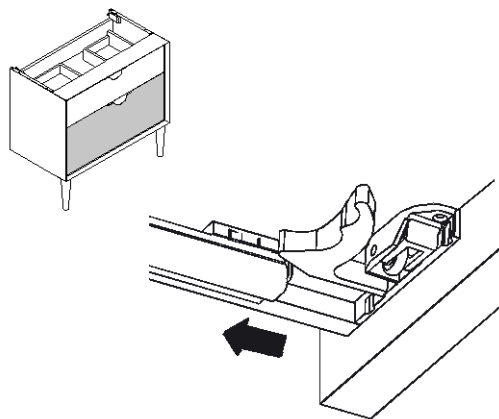
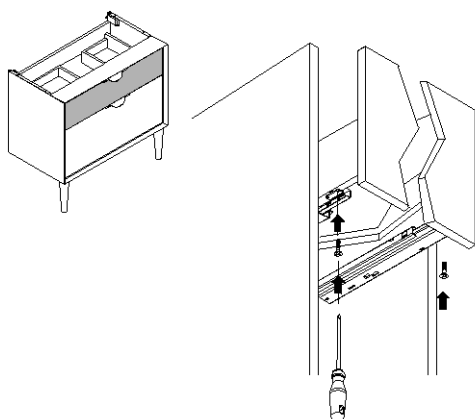
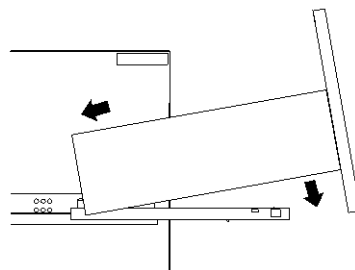
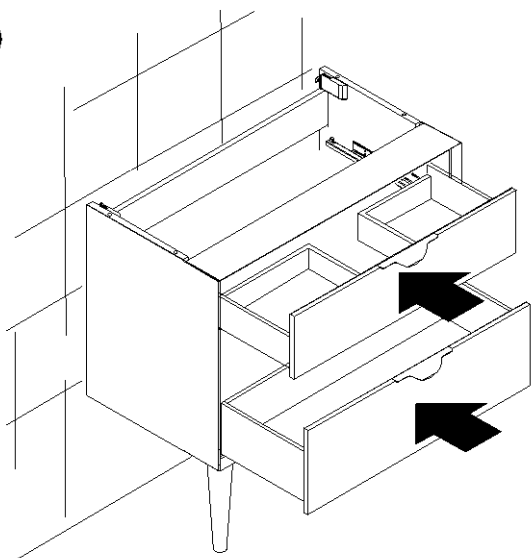
5



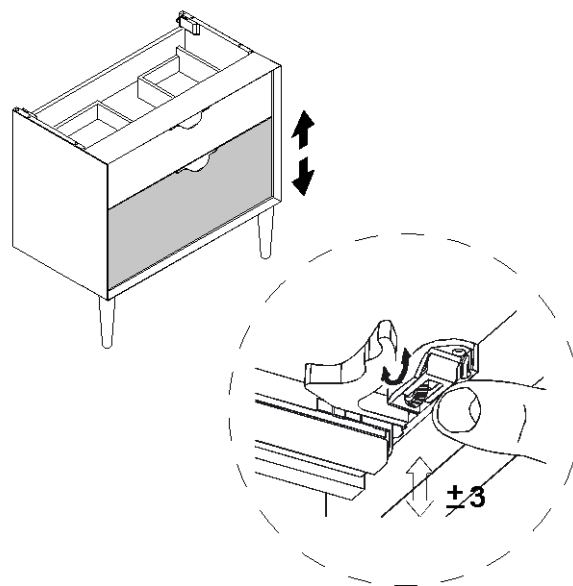
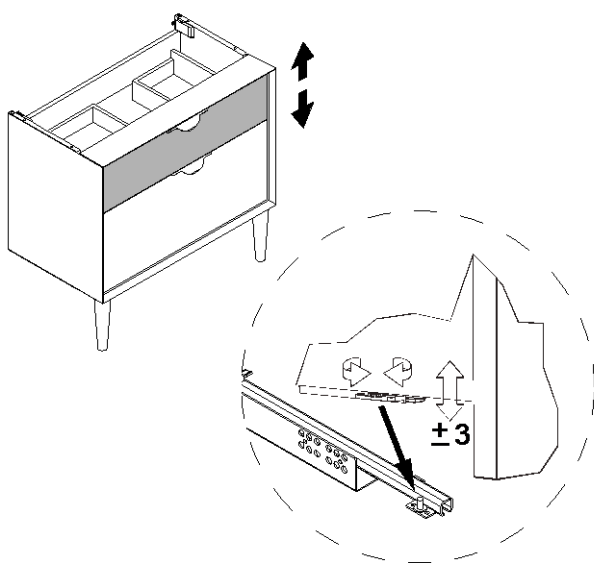
6



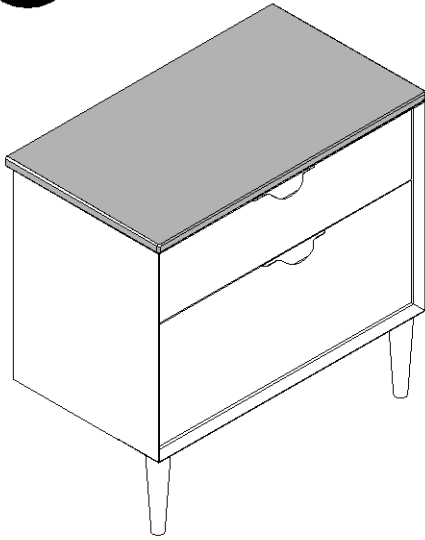
7



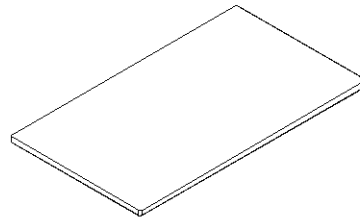
8



9.1



PIECES REQUIRED



P05
X1



H04
X4



H05
X2

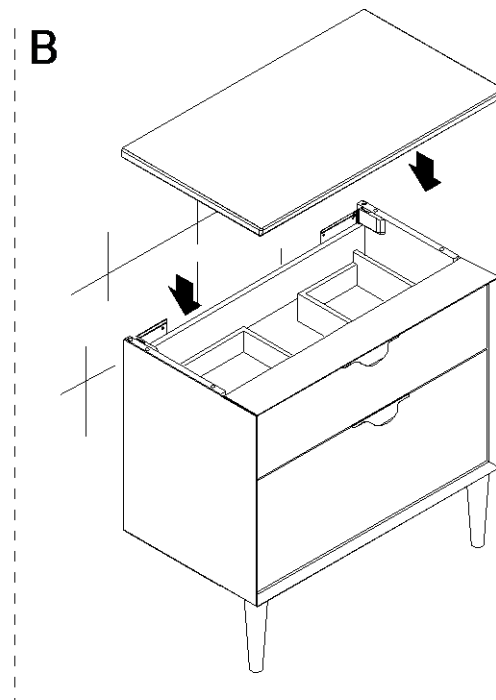
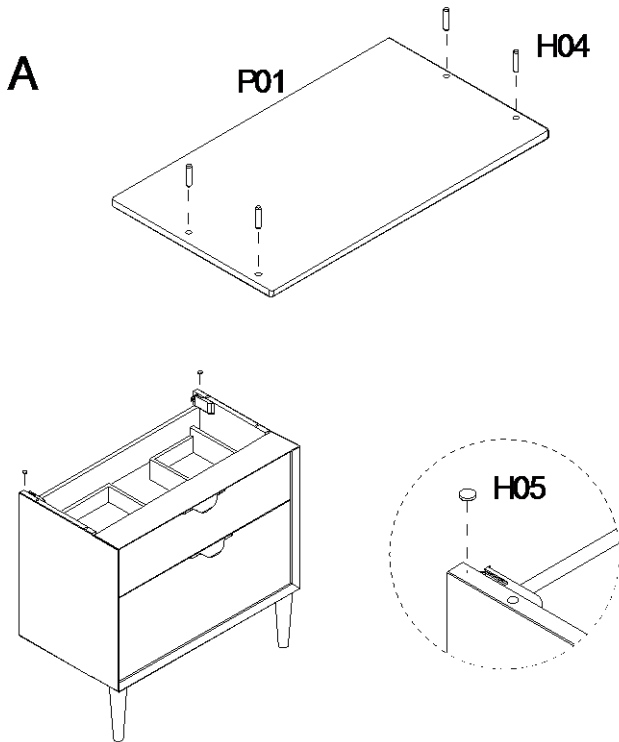
DIMENSIONS

42000041090
500 unit
Width: 515 mm
Depth: 452 mm
Height: 19mm

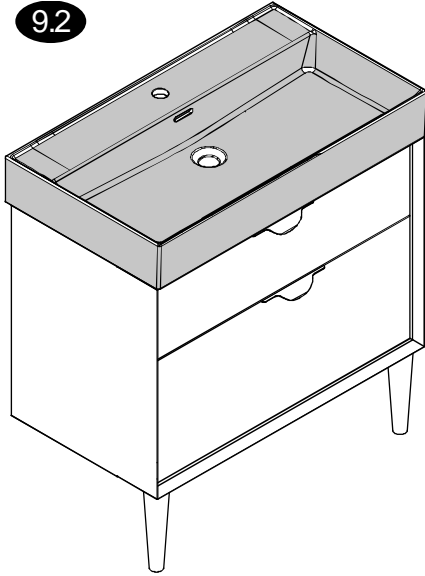
42000041100
600 unit
Width: 615 mm
Depth: 452 mm
Height: 19mm

42000041110
800 unit
Width: 815 mm
Depth: 452 mm
Height: 19 mm

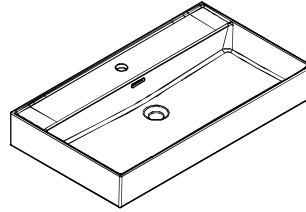
42000041120
1000 unit
Width: 1015 mm
Depth: 452 mm
Height: 19 mm



9.2



PIECES REQUIRED



P06
X1

DIMENSIONS

41405002375

600 unit

Width: 610 mm

Depth: 460 mm

Height: 120 mm

41405002380

800 unit

Width: 810 mm

Depth: 460 mm

Height: 120 mm

41405002385

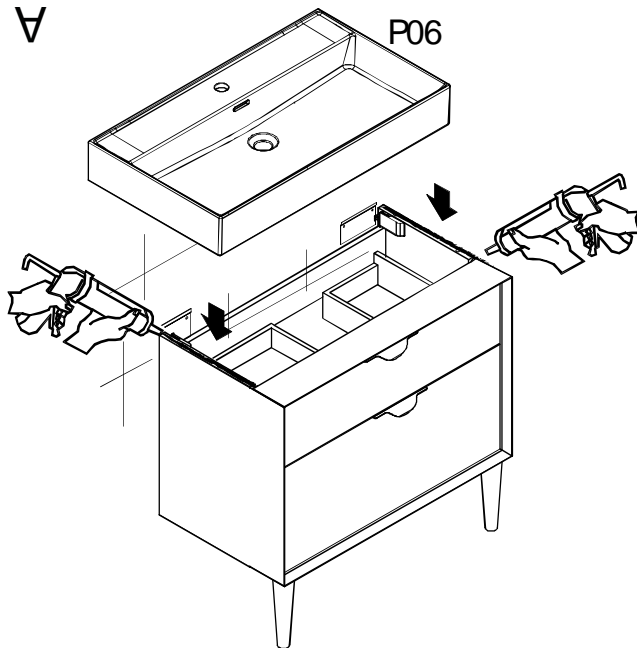
1000 unit

Width: 1010 mm

Depth: 460 mm

Height: 120 mm

A



B

