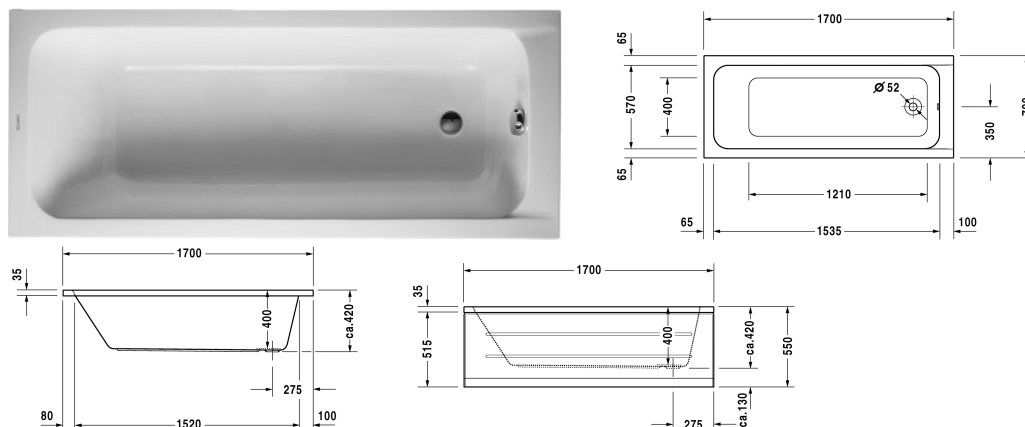


Bathtub # 700098000000000

| < 1700 mm > |



Bathtub	Dimension	Weight	Order number
rectangle, built-in, with one backrest slope, outlet in foot area, sanitary acrylic , Filling capacity 110 l			
Colors			
00 White Alpin			
Variant			
Basic model	1700 x 700 mm	19.500 kg	700098000000000
Suitable products			
Styrene Support Box for # 700098,			790472
Bathtub anchors for mounting and support of D-code bathtubs and shower trays, 3 pieces,			790125
Waste and overflow chrome, for D-Code bathtubs with side outlet, outlet diameter 52 mm, length of bowden cable 530 mm,			790225
Rubber profile for noise reduction, length: 3300 mm,			790126
Support frame for D-Code bathtubs and shower trays, with length > 1000 mm, height-adjustable from 115 - 180 mm, height-adjustable from 135 - 165 mm if a noise reduction set for shower trays is used, 2 pieces,			790127
Panel front, for bathtubs, *, 1700 mm,			701041
Panel for bathtubs, right, *, 700 mm,			701043
Panel left, for bathtubs, *, 700 mm,			701046
Noise reduction set for acrylic bathtubs ****, Contents: noise reduction bathtub anchors, bitumen pads, rubber profile # 790126,			791368

All drawings contain the necessary measurements which are subject to standard tolerances. Exact measurements, in particular for

Bathtub # 700098000000000

|< 1700 mm >|

customised installation scenarios, can only be taken from the finished ceramic piece.

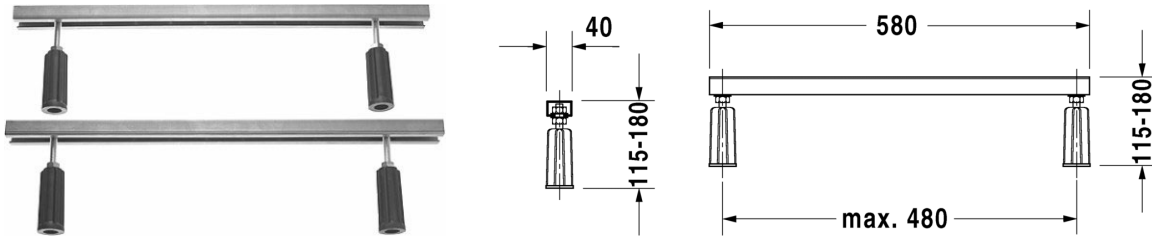
Bathtub anchors # 790125



Bathtub anchors	Dimension	Weight	Order number
for mounting and support of D-code bathtubs and shower trays, 3 pieces			
Colors			
Variant			

All drawings contain the necessary measurements which are subject to standard tolerances. Exact measurements, in particular for customised installation scenarios, can only be taken from the finished ceramic piece.

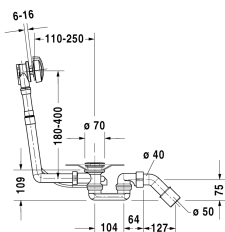
Support frame # 790127



Support frame	Dimension	Weight	Order number
for D-Code bathtubs and shower trays, with length > 1000 mm, height-adjustable from 115 - 180 mm, height-adjustable from 135 - 165 mm if a noise reduction set for shower trays is used, 2 pieces			
Colors			
Variant			

All drawings contain the necessary measurements which are subject to standard tolerances. Exact measurements, in particular for customised installation scenarios, can only be taken from the finished ceramic piece.

Waste and overflow # 790225



Waste and overflow	Dimension	Weight	Order number
chrome, for D-Code bathtubs with side outlet, outlet diameter 52 mm, length of bowden cable 530 mm			
Colors			
Variant			

All drawings contain the necessary measurements which are subject to standard tolerances. Exact measurements, in particular for customised installation scenarios, can only be taken from the finished ceramic piece.