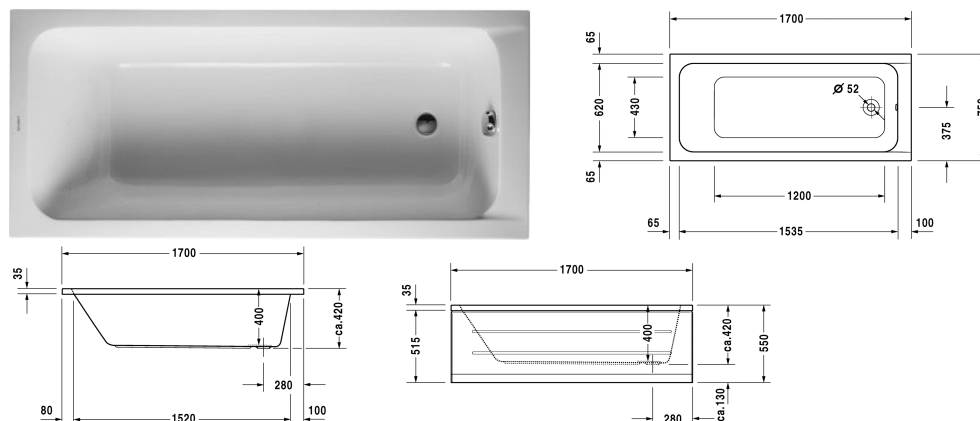


**Bathtub # 7001000000000000**

| < 1700 mm > |



Bathtub	Dimension	Weight	Order number
rectangle, with one backrest slope, outlet in foot area, sanitary acrylic , Filling capacity 120 l			
<b>Colors</b>			
00 White Alpin			
<b>Variant</b>			
built-in, Basic model	1700 x 750 mm	20.000 kg	7001000000000000
<b>Suitable products</b>			
Styrene Support Box for # 700100,			790474
Bathtub anchors for mounting and support of D-code bathtubs and shower trays, 3 pieces,			790125
Waste and overflow chrome, for D-Code bathtubs with side outlet, outlet diameter 52 mm, length of bowden cable 530 mm,			790225
Rubber profile for noise reduction, length: 3300 mm,			790126
Support frame for D-Code bathtubs and shower trays, with length > 1000 mm, height-adjustable from 115 - 180 mm, height-adjustable from 135 - 165 mm if a noise reduction set for shower trays is used, 2 pieces,			790127
Panel front, for bathtubs, *, 1700 mm,			701041
Panel right, for bathtubs, *, 750 mm,			701044
Panel left, for bathtubs, *, 750 mm,			701047
Tub cover, 2 pcs. 750 x 425 mm, for Darling New # 700242, 700243, Daro # 700027, D-Code # 700099, 700100, DuraStyle # 700231, Happy D.2 # 700312, 700313, Vero # 700133, 700134, Vero Air # 700412,			791824

**Bathtub # 7001000000000000**

|< 1700 mm >|

Tub cover with cut-out for hand shower tube, 2 pcs. 750 x 425 mm, for Darling New # 700242, 700243, Daro # 700027, D-Code # 700099, 700100, DuraStyle # 700231, Happy D.2 # 700312, 700313, Vero Air # 700412,

791825

Noise reduction set for acrylic bathtubs \*\*\*\*, Contents: noise reduction bathtub anchors, bitumen pads, rubber profile # 790126,

791368

*All drawings contain the necessary measurements which are subject to standard tolerances. Exact measurements, in particular for customised installation scenarios, can only be taken from the finished ceramic piece.*

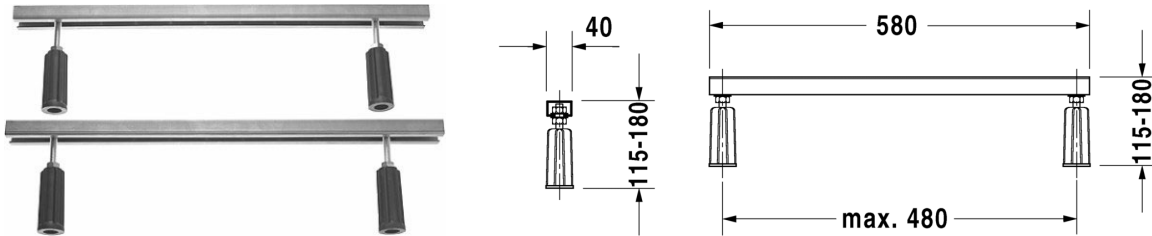
## Bathtub anchors # 790125



Bathtub anchors	Dimension	Weight	Order number
for mounting and support of D-code bathtubs and shower trays, 3 pieces			
Colors			
Variant			

*All drawings contain the necessary measurements which are subject to standard tolerances. Exact measurements, in particular for customised installation scenarios, can only be taken from the finished ceramic piece.*

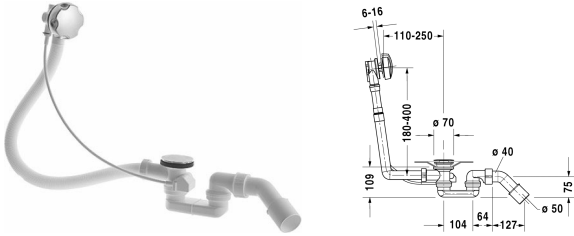
## Support frame # 790127



Support frame	Dimension	Weight	Order number
for D-Code bathtubs and shower trays, with length > 1000 mm, height-adjustable from 115 - 180 mm, height-adjustable from 135 - 165 mm if a noise reduction set for shower trays is used, 2 pieces			
Colors			
Variant			

*All drawings contain the necessary measurements which are subject to standard tolerances. Exact measurements, in particular for customised installation scenarios, can only be taken from the finished ceramic piece.*

## Waste and overflow # 790225



Waste and overflow	Dimension	Weight	Order number
chrome, for D-Code bathtubs with side outlet, outlet diameter 52 mm, length of bowden cable 530 mm			
<b>Colors</b>			
<b>Variant</b>			

*All drawings contain the necessary measurements which are subject to standard tolerances. Exact measurements, in particular for customised installation scenarios, can only be taken from the finished ceramic piece.*