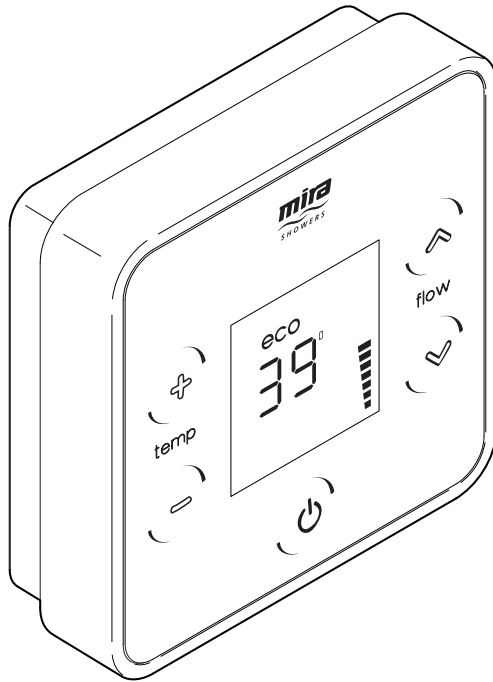


Mira Vier Wireless Controller



These instructions must be left with the user

User Guide

Showering perfection

mira
SHOWERS

CONTENTS

Introduction	3
General.....	3
Guarantee	3
Safety Information.....	3
Control Layout.....	4
Display Symbols.....	5
Using the Shower	6
Switch On	6
Adjust Temperature	7
Adjust Flow.....	7
Switch Off.....	8
Functions	9
Function Menu.....	10
Changing Functions/Settings	11
F1 - Maximum Showering Water Temperature.....	11
F2 - Eco.....	13
F3 - Warm-Up.....	15
F4 - Clock Setting.....	17
F5 - Clock Display	18
F6 - Flow Range.....	20
F7 - Control Frequency	23
Replacing the Batteries	25
Fault Diagnosis.....	26
Error Codes.....	26
Connecting a Second Wireless Controller.....	29
Re-Registering.....	30
Cleaning	31
Disposal and Recycling.....	31
Customer Service.....	32

INTRODUCTION

General

Thank you for purchasing a quality Mira product. To enjoy the full potential of your new product, please take the time to read this guide thoroughly and keep it handy for future reference.

The Mira Vier Wireless Controller is a remote user interface and controls the following functions:

- Water Temperature
- Water Flow
- Maximum Water Temperature
- Eco Mode
- Warm-Up Mode
- Clock
- Flow Range

This guide covers the setting and use of these functions and includes a trouble shooting guide should the appliance not function as expected. For issues relating to the installation of the appliance or other associated products, please refer to the relevant Installation Guide(s) or contact our Customer Services Team. (Details in the back of this guide.)

NOTE! ALL FUNCTIONS ARE ONLY AVAILABLE AFTER THE CONTROLLER HAS BEEN ASSIGNED TO A DIGITAL MIXER VALVE. (See Mira Installation Guide.)

Guarantee

For domestic installations, Mira Showers guarantee the Mira Wireless Controller against any defect in materials or workmanship for a period of five years from the date of purchase. (shower fittings for one year).

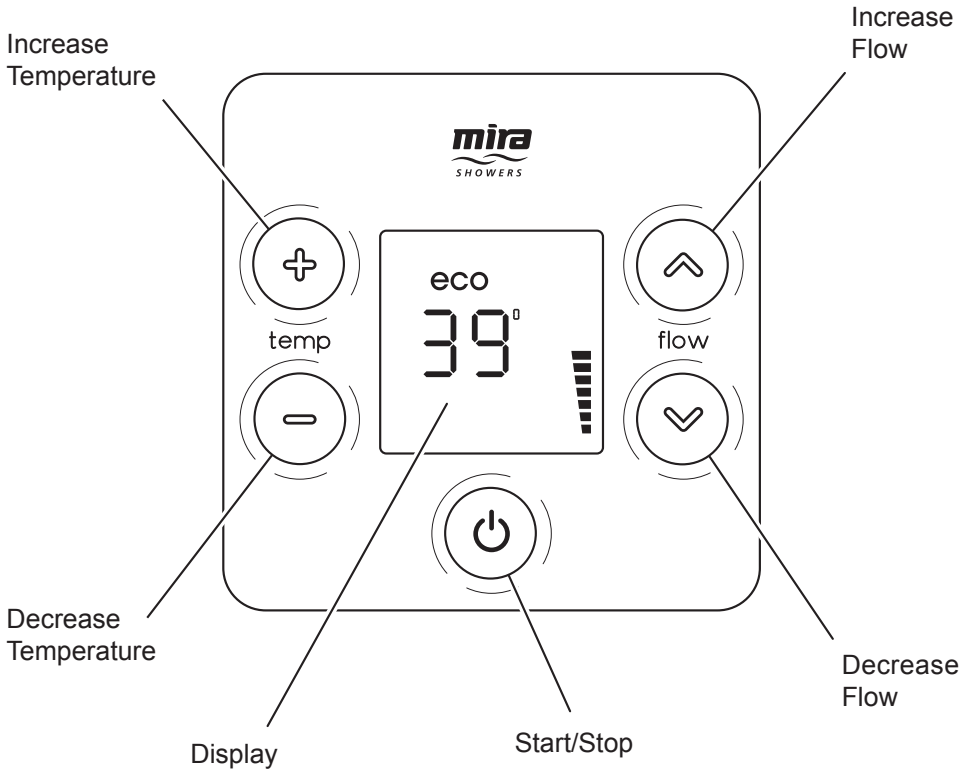
For non-domestic installations, Mira Showers guarantee the Mira Wireless Controller against any defect in materials or workmanship for a period of one year from the date of purchase.

For terms and conditions refer to the back cover of this guide.

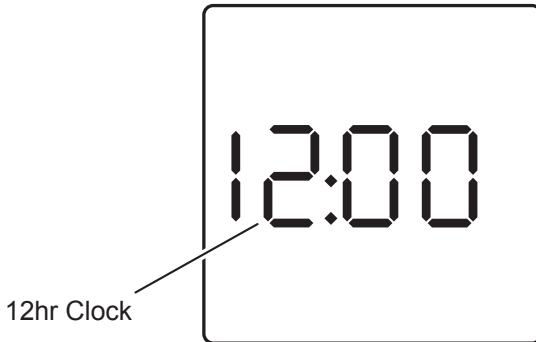
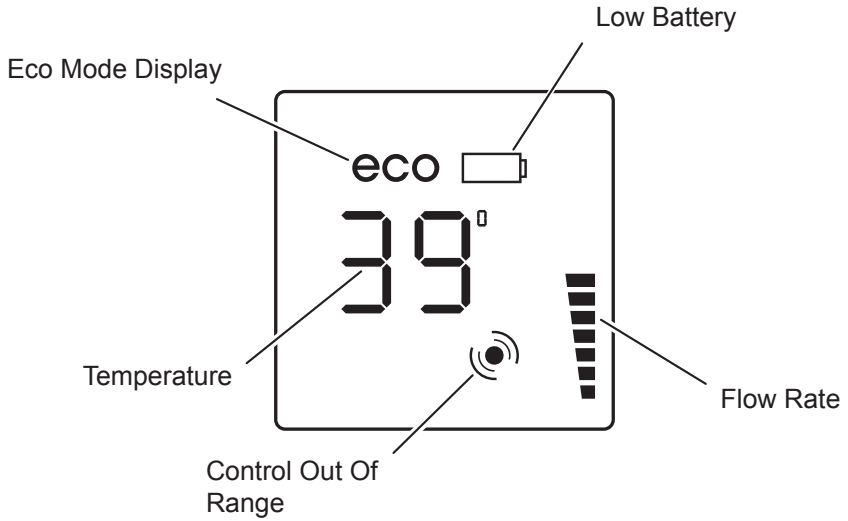
SAFETY INFORMATION

1. Make sure that you fully understand how to operate this shower and make sure that it is properly maintained in accordance with the instructions given in this manual.
2. Sunburn or skin conditions can increase your sensitivity to hot water. Make sure that you set the shower to a cooler temperature.

CONTROL LAYOUT



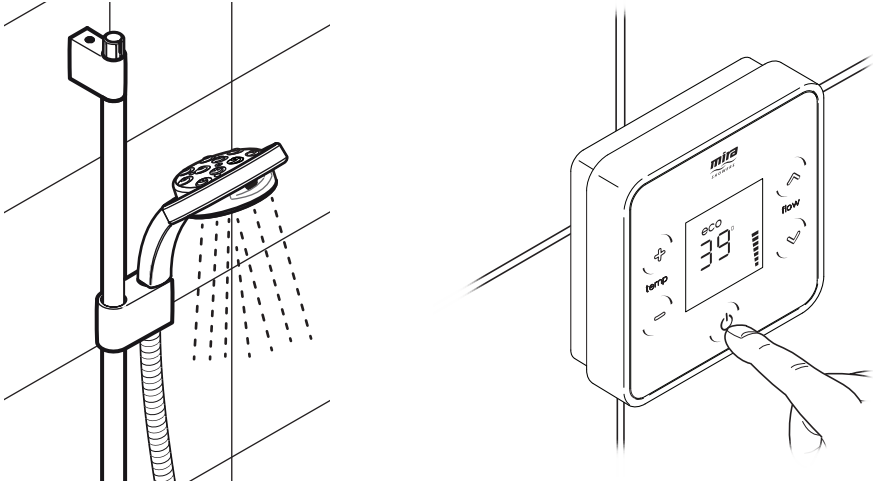
DISPLAY SYMBOLS



USING THE SHOWER

Switch On

▶ Press “**⏻**” to start shower.



Temperature and flow settings will be same as when last used.

After a short period, display will dim to help extend battery life.

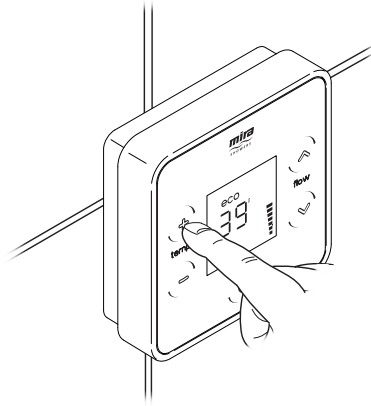
Shower will not run continuously for more than 30 minutes before stopping automatically (5 minutes when “**ECO**” function is set to “**on**”).

When “**Warm-Up**” function is “**on**”, there will be a short delay (5 seconds) before water flows from shower.

Adjust Temperature

The temperature shown on the display is in degree Celsius (°C) and indicates the user requested temperature.

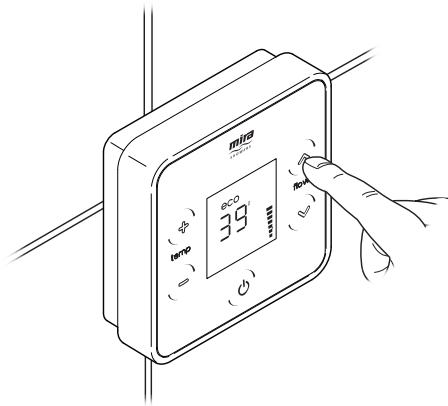
Note: This temperature is measured inside the mixing valve and therefore will differ from that actually being delivered at the outlet. The amount the temperature differs by will depend on site conditions, ambient room temperatures and length of outlet pipe runs.



- ▶ While shower is running, press “+” or “-” to adjust temperature.

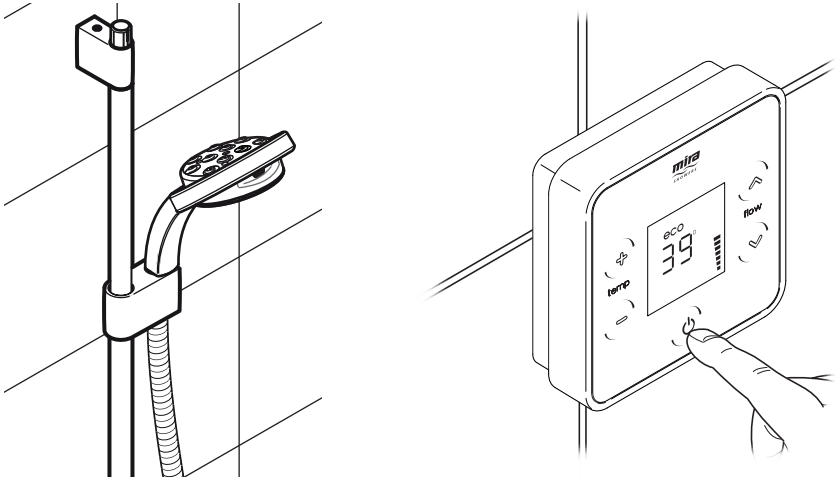
Adjust Flow

- ▶ Press “^” or “v” to adjust flow. Showering flow level appears on display in segments.



Switch Off

▶ Press “⏻” to stop shower.



After the shower has stopped, the display will turn off automatically.

Note: It is normal for all shower outlets to continue to expel water for a short period of time after use. It is not uncommon for larger deluge shower heads, particularly those connected to long outlet pipe runs and therefore holding large volumes of water, to drain down water several hours after use due to the changes in the ambient temperature. We would therefore recommend that all water outlets are kept enclosed within the water catchment area.

FUNCTIONS

The following functions can be altered individually to adjust how the shower operates:

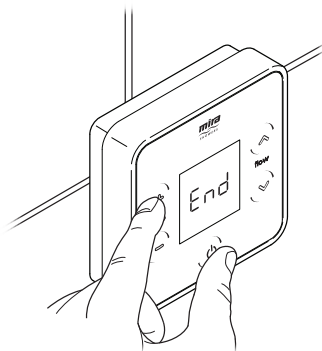
<p>F1</p>	<p>Maximum Water Temperature. This is the temperature the shower cannot go beyond when in use. Note: This temperature is measured inside the mixing valve and therefore will differ from that actually being delivered at the outlet. The amount the temperature differs by will depend on site conditions, ambient room temperatures and length of outlet pipe runs.</p>	<p>Factory Default: 45°C. (User Adjustable Range between 35 and 48°C)</p>
<p>F2</p>	<p>Eco. Limits the achievable flow rate and showering duration.</p>	<p>Factory Default: "Off"</p>
<p>F3</p>	<p>Warm-Up. Runs the shower to bring it up to the requested temperature before showering.</p>	<p>Factory Default: "Off"</p>
<p>F4</p>	<p>Clock Setting. To set the correct time of day. Note: The clock is 12hr and does not indicate am or pm.</p>	<p>Factory Default: 10:00 (4:00 unregistered, see "Connecting a Second Wireless Controller")</p>
<p>F5</p>	<p>Clock Display. Allows clock time to be displayed during showering.</p>	<p>Factory Default: "On"</p>
<p>F6</p>	<p>Flow Range. <i>For use with High Pressure/Combi Valve version only.</i> Allows the water flow rate to be adjusted to within a desired range. Note: This function is only to be used during maintenance and commissioning. Accidental use may result in poor flow rate being set.</p>	<p>Factory Default is pre-set for optimum flow rate under most water system conditions.</p>
<p>F7</p>	<p>Control Frequency. Changes communication channels to improve poor wireless signal. Note: This function is only to be used during maintenance and commissioning.</p>	<p>Factory Default: "1"</p>

FUNCTION MENU

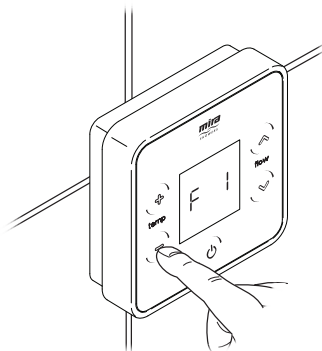
To change any function, enter the function menu.

- ▶ Press “+” and “⏻” buttons simultaneously and hold until “End” appears.

Note: This may take several seconds.

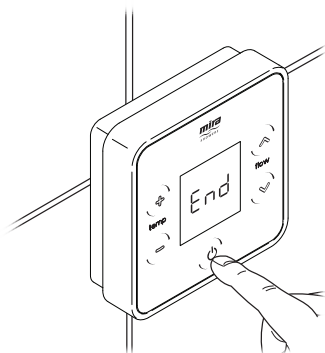


- ▶ Use “⏪” or “⏩” buttons to cycle through functions and press “⏻” to enter setting. (See following sections in this guide for details on each function and how to alter their settings.) **Note!** If signal loss occurs during a function change, “Err” will appear on display. Press “⏻” to clear and retry function change.



To ensure a function has been altered, exit the Function Menu

- ▶ When finished, use “⏪” or “⏩” buttons to cycle back through functions until “End” appears. Press “⏻” to exit.
- ▶ Control is ready to use.
- ▶ If necessary, test shower to see if functions are working as expected.



CHANGING FUNCTIONS/SETTINGS

F1 - Maximum Water Temperature

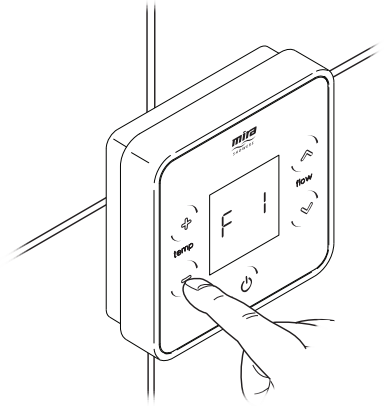
Factory default “45°C”.

This is the temperature the shower cannot go beyond when in use.

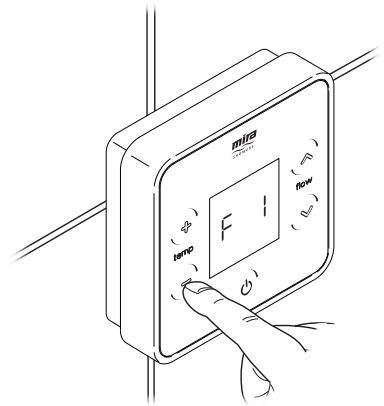
This temperature is measured inside the mixing valve and therefore will differ from that actually being delivered at the outlet. The amount the temperature differs by will depend on site conditions, ambient room temperatures and length of outlet pipe runs.

To determine if this temperature is appropriate for all users and whether it needs to be altered you must first ensure the shower is fully up to temperature and any cold water dead legs have been flush through the system by running the shower for a few minutes.

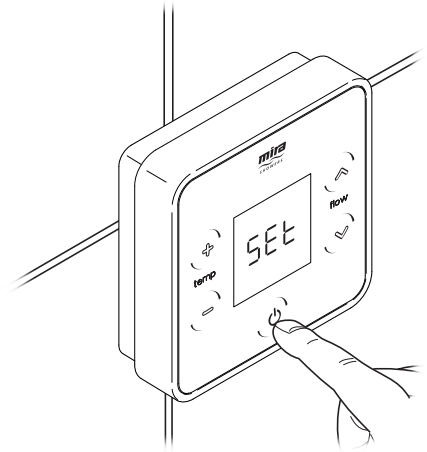
- ▶ Enter the Function Menu.
- ▶ Cycle menu to “F 1” and press “⏻”.



- ▶ Press “+” or “-” to adjust maximum temperature between 48°C and 35°C.

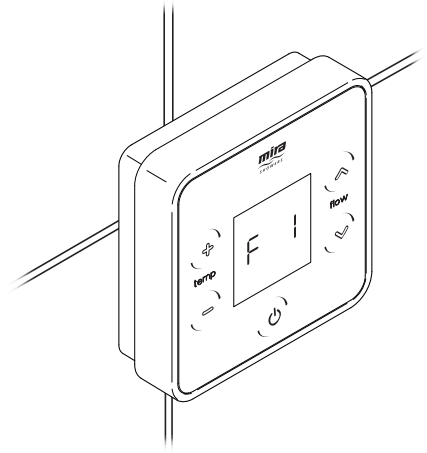


- ▶ Press “⏻” to set.



- ▶ Press “⏻” to exit back to Function Menu.

- ▶ Cycle menu to “End” and press “⏻” to exit the Function Menu.

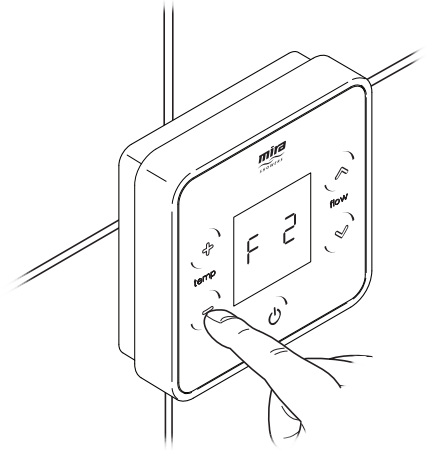


F2 - Eco

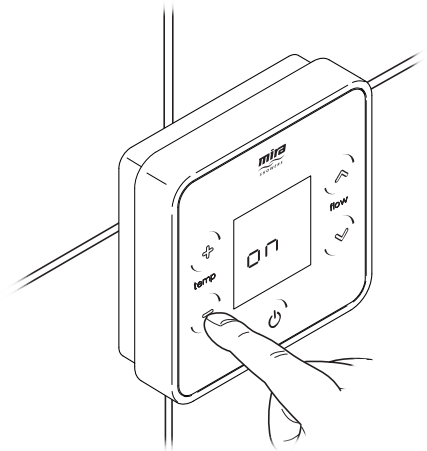
Factory default “off”.

Switching Eco “on” will limit the showering duration to 5 minutes and also reduce the achievable flow rate. The flow display cannot be altered past half its maximum position on the display and the word “Eco” symbol will be permanently illuminated.

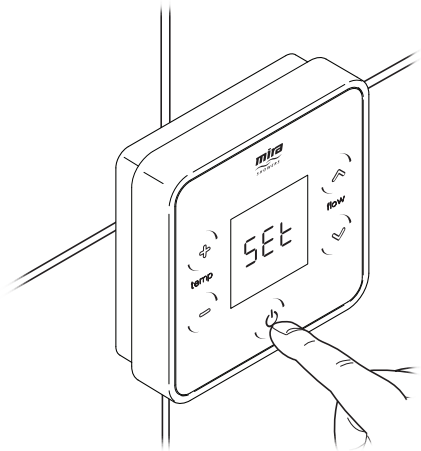
- ▶ Enter the Function Menu.
- ▶ Cycle menu to “F 2” and press “⏻”.



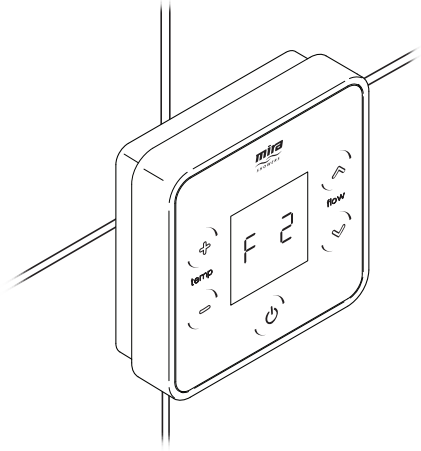
- ▶ Press “+” or “-” to change setting to “on” or “off”.



- ▶ Press “⏻” to set.



- ▶ Press “⏻” to exit back to Function Menu.
- ▶ Cycle menu to “End” and press “⏻” to exit the Function Menu.



F3 - Warm-Up

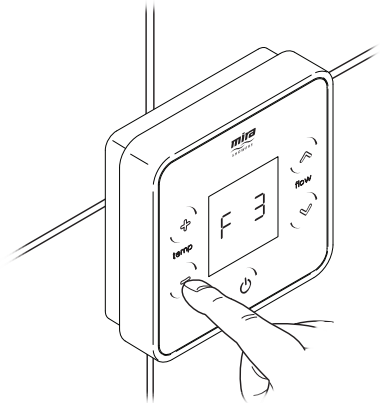
Factory default “off”.

Note:

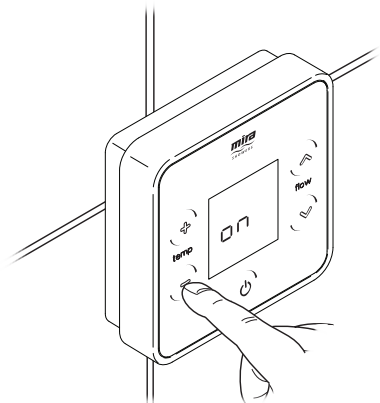
Not recommended for use with Combination Boilers.

Switching Warm-Up “on” allows the shower to warm-up or flush through any cold water dead legs in your water system prior to showering. After pressing the on/off button there will be a 5 second delay before water is flushed through. During this process the temperature display will flash. Once the shower has reached the requested temperature it will shut off allowing you to enter the showering area safely. By pressing the on/off button once more the shower will start immediately at your requested temperature. If the shower is left un-used for too long and the shower temperature reduces the process will start again.

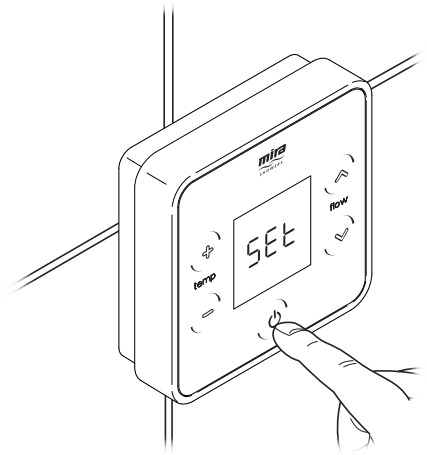
- ▶ Enter the Function Menu.
- ▶ Cycle menu to “F 3” and press “⏻”.



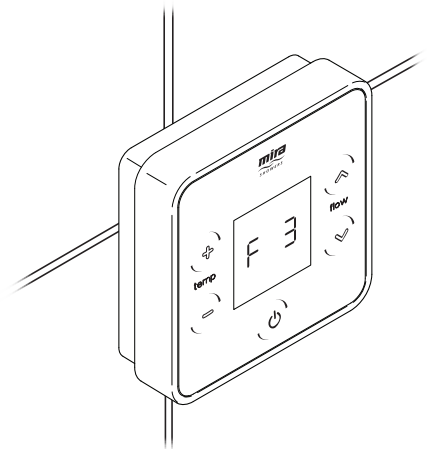
- ▶ Press “+” or “-” to change setting to “on” or “off”.



▶ Press “⏻” to set.



▶ Press “⏻” to exit back to Function Menu.

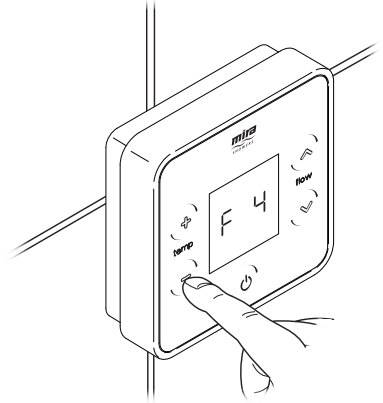


F4 - Clock Setting

Factory default “10:00” (4:00 unregistered, see “Connecting a Second Wireless Controller” when the batteries are connected)

Note: The clock is 12hr and does not indicate am or pm.

- ▶ Enter the Function Menu.
- ▶ Cycle menu to “F 4” and press “⏻”.

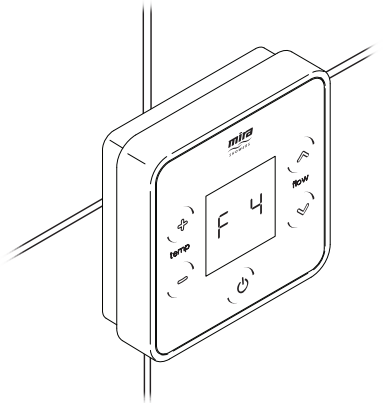


- ▶ Press “+” or “-” to change hour setting.
- ▶ Press “^” & “v” to change minute setting.

12:00

12:00

- ▶ Press “⏻” to set time and exit back to Function Menu.
- ▶ Cycle menu to “End” and press “⏻” to exit the Function Menu.



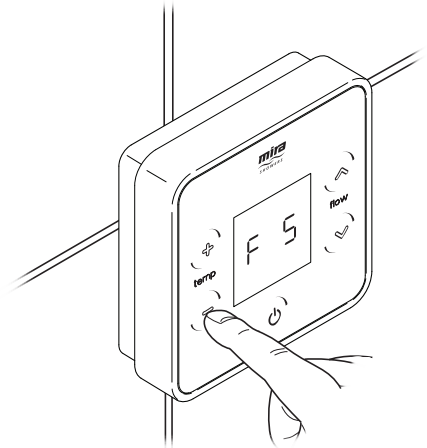
F5 - Clock Display

Factory default “on”.

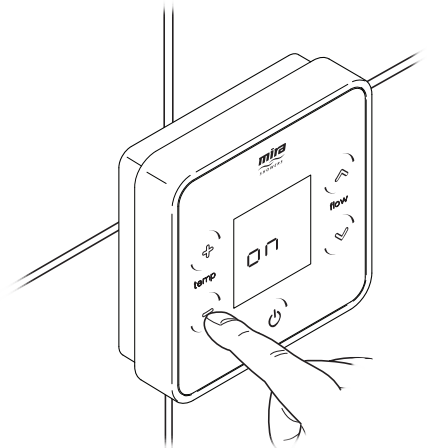
Note:

Leaving the clock display switched “on” allows the clock to be seen briefly after any temperature or flow rate user alteration.

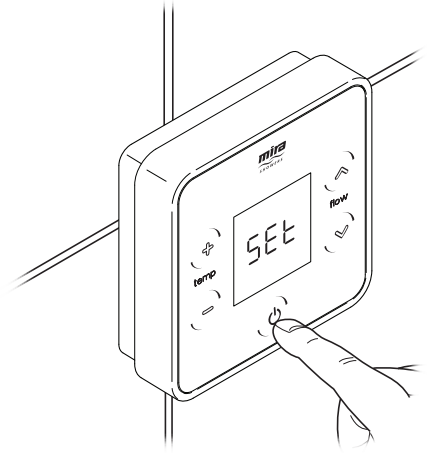
- ▶ Enter the Function Menu.
- ▶ Cycle menu to “F 5” and press “⏻”.



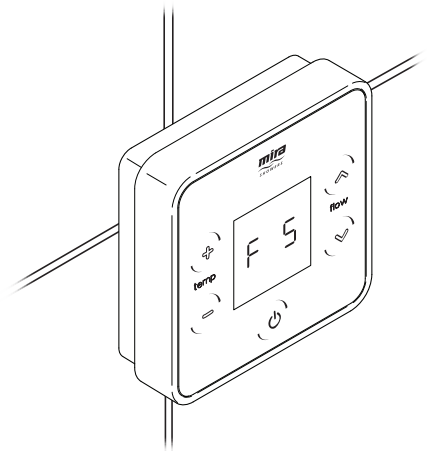
- ▶ Press “+” or “-” to change setting to “on” or “off”.



- ▶ Press “⏻” to set.



- ▶ Press “⏻” to exit back to Function Menu.
- ▶ Cycle menu to “End” and press “⏻” to exit the Function Menu.



F6 - Flow Range

For use with High Pressure/Combi valve only.

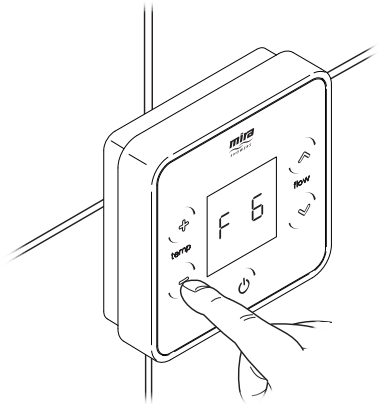
Factory default "1 - 99".

Allows the water flow rate to be adjusted to within desired range.

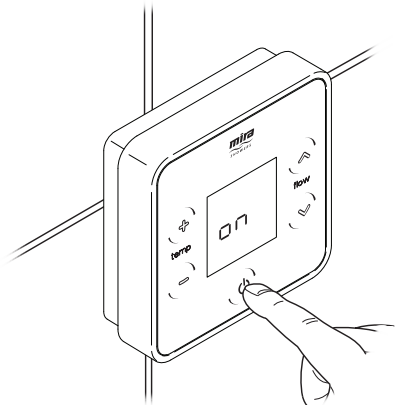
Note:

This function is only to be used during maintenance and commissioning. Accidental use may result in poor flow rate being set.

- ▶ Enter the Function Menu.
- ▶ Cycle menu to "F 6" and press "⏻".



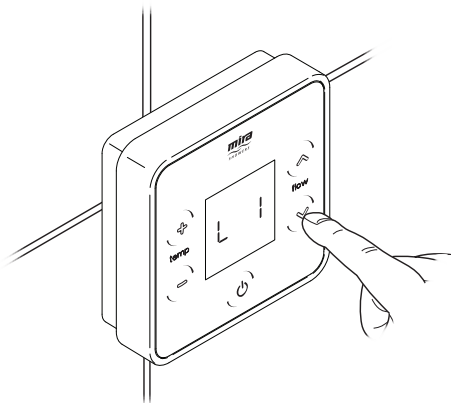
- ▶ Press "⏻" again to access the flow range limits.



- ▶ Water begins to flow and the lower limit is displayed, e.g. “L 1”. Adjust flow to desired lower limit using “^” & “v”.

Note! If hot water is supplied from a combination boiler, make sure the lower limit is sufficient to activate the boiler.

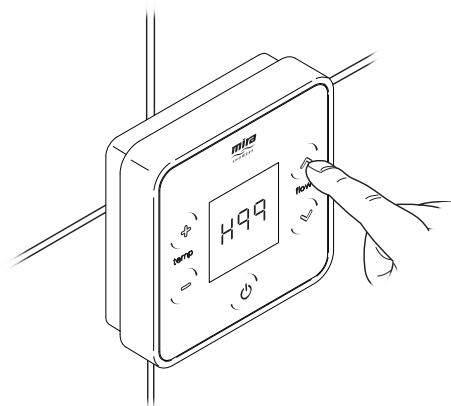
Recommended Range for use with a combination boiler: 8 to 18



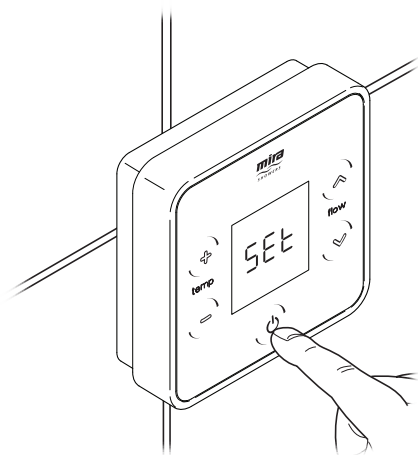
- ▶ Press “⏻” to set lower limit.

- ▶ Water continues to flow and the higher limit is displayed, e.g. “H 99”. Adjust flow to desired higher limit using “^” & “v”.

Recommended Range for use with a combination boiler: 35 to 50

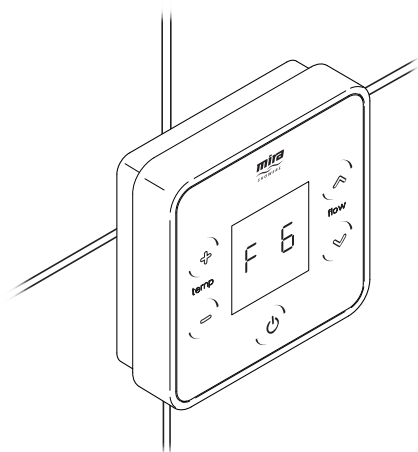


- ▶ Press “⏻” to set higher limit. Water flow stops.



- ▶ Press “⏻” to set and exit back to Function Menu.

- ▶ Cycle menu to “End” and press “⏻” to exit the Function Menu.



F7 - Control Frequency

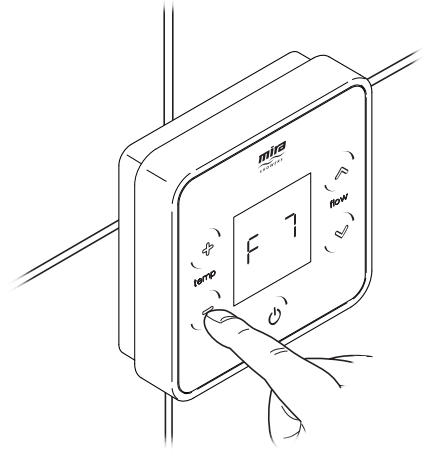
Factory default “1”.

Note:

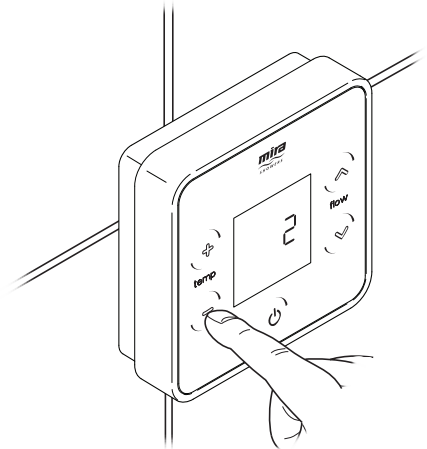
Allows you to alter the Control Frequency setting if you are experiencing unreliable radio communications such as the shower cutting out or poor temperature and flow control response.

For more information on unreliable radio communications refer to the “Fault Diagnosis” section of the Installation guide.

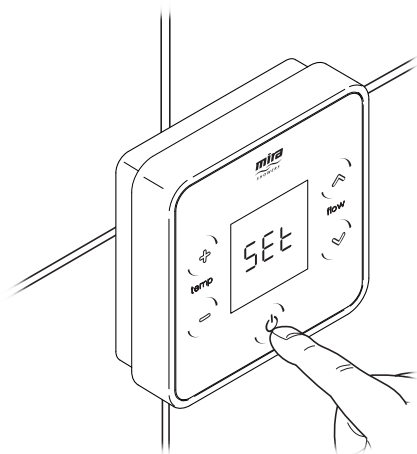
- ▶ Enter the Function Menu.
- ▶ Cycle menu to “F 7” and press “⏻”.



- ▶ Press “+” or “-” to change channel “1-3”.

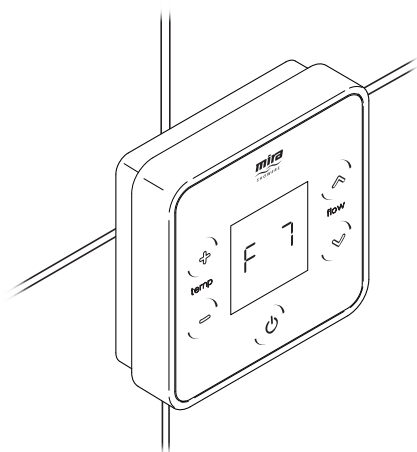


- ▶ Press “⏻” to set.



- ▶ Press “⏻” to exit back to Function Menu.

- ▶ Cycle menu to “End” and press “⏻” to exit the Function Menu.



REPLACING THE BATTERIES

Change the batteries when the low battery symbol is displayed.



To access the batteries, the controller must be removed from the wall.

▶ Press button to release and remove the controller from the wall.

▶ Make sure the controller is dry before removing the battery cover.

Turn unit over to remove the battery cover by loosening the 4 screws with a pozi-drive screwdriver.

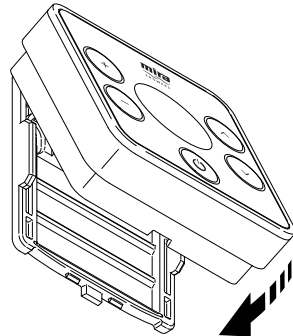
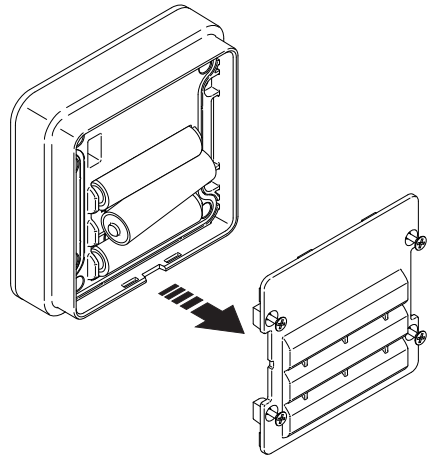
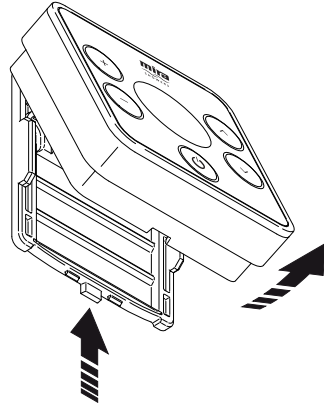
Note! The screws remain attached to the battery lid.

▶ Remove and replace all batteries. Only use batteries of same make and type. Do not use rechargeable batteries.

▶ When refitting the battery cover, make sure the blue seal is clean of dirt and debris. Make sure the cover is secured firmly, but do not overtighten the screws.

▶ Hook controller on top of bracket and push firmly until controller “clicks” back into place.

If necessary, test shower to see if functions are working as expected.



FAULT DIAGNOSIS

Error Codes

A specific problem relating to the electronic function of the shower will result in an error code being displayed on the control. The display will briefly flash “Err” followed by error code number and the shower will safely turn off.

As with most electronic equipment resetting the mixing valve by powering it down at the mains, waiting a few seconds and powering it up again can often cure any issues.

Over Temperature at Control Sensor Error (Err 3 and Err 7)

1. Turn Digital Mixer off at the mains for 10 seconds. Turn back on and allow 15 seconds for it to reset.
2. Run the shower for a few minutes. If the Error Code returns and the shower shuts off check that the hot and cold inlets are not reversed and then repeat the resetting process.
3. Run the shower for a few minutes. If the Error Code returns and the shower shuts off check that inlet filters and check valves are clean and working correctly and then repeat the resetting process.
4. Run the shower for a few minutes. If the Error Code returns and the shower shuts off check that inlet the water supplies are within the correct temperature and pressure specification of the valve . See “**Installation Guide - Specifications**” and then repeat the resetting process.
5. Run the shower for a few minutes. If the Error Code returns, make a note of this code and contact our Customer Services Team.

A rectangular box representing a digital display showing the text "Err".

A rectangular box representing a digital display showing the number "3".

A rectangular box representing a digital display showing the text "Err".

A rectangular box representing a digital display showing the number "7".

For more information see the Installation Guide Fault Diagnosis Section.

Control Sensor (Err 4)

1. Turn Digital Mixer off for 10 seconds. Turn back on and allow 15 seconds for it to reset.
2. Run the shower for a few minutes. If the Error Code returns, replace Thermistor. **(To be performed by competent tradesperson only!)**

A rectangular box representing a digital display showing the text "Err".

A rectangular box representing a digital display showing the number "4".

3. Run the shower for a few minutes. If the Error Code returns, make a note of the error code and contact our Customer Services Team.

For more information see the Installation Guide Fault Diagnosis Section.

Control Sensor or PCB Relay Error (E36)

1. Turn Digital Mixer off at the mains for 10 seconds. Turn back on and allow 15 seconds to reset.
2. Run the shower for a few minutes. If the Error Code returns, replace Thermistor. **(To be performed by competent tradesperson only!)**
3. Run the shower for a few minutes. If the Error Code returns, replace the Digital Mixer Main Control PCB. **(To be performed by competent tradesperson only!)**
4. Run the shower for a few minutes. If the Error Code returns, make a note of the error code and contact our Customer Services Team.

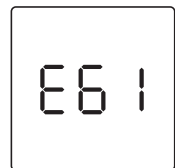
For more information see the Installation Guide Fault Diagnosis Section.



Digital Mixer Temperature Motor Error (E61)

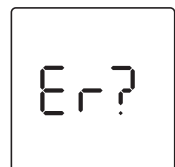
1. Turn Digital Mixer off at the mains for 10 seconds. Turn back on and allow 15 seconds to reset.
2. Run the shower for a few minutes. If the Error Code returns, replace the Digital Mixer Valve Assembly. **(To be performed by competent tradesperson only!)**
3. Run the shower for a few minutes. If the Error Code returns, make a note of the error code and contact our Customer Services Team.

For more information see the Installation Guide Fault Diagnosis Section.



Any other Error Code (Er ?) indicates a Digital Mixer Main Control PCB Error.

1. Turn Digital Mixer off for 10 seconds. Turn back on and allow 15 seconds for it to reset.



2. Run the shower for a few minutes. If the Error Code returns, replace the Digital Mixer Main Control PCB. **(To be performed by competent tradesperson only!)**
3. Run the shower for a few minutes. If the Error Code returns, make a note of the error code and contact our Customer Services Team.

For more information see the Installation Guide Fault Diagnosis Section.

Warning Symbols

Replace batteries.

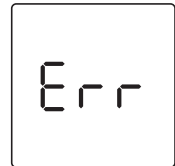


Control out of range.



Error During Function Change

Displayed if there is a signal loss between the Wireless Control Unit and the Digital Mixer whilst a function setting is being altered. If the Valve is not ready wait for 10 seconds after entering programming menu.



Press “⏻” to clear the display and retry the function change.

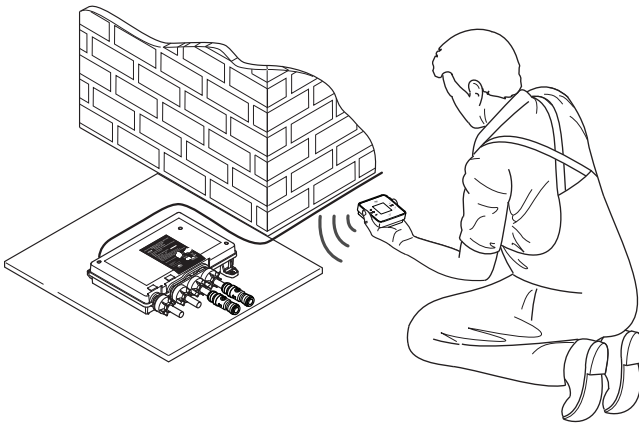
CONNECTING A SECOND WIRELESS CONTROLLER

The following procedure details how to assign the Wireless Controller to the Digital Mixer Valve and test the remote signal strength.

Note! Other radio signals from sources such as mobile phones, radio controlled boiler thermostats, wireless broadband etc. can dramatically reduce the ability of the digital mixer valve to register.

It is recommended that such items are switched off during this process.

- ▶ Isolate electrical supply to the digital mixer valve.
- ▶ Bring the wireless controller to within approximately 1 m of the digital mixer valve. Fit the three AA batteries supplied into the wireless controller.



- ▶ Ensure the wireless controller LCD lights up then switch on power to the digital mixer valve.
- ▶ Depending on the type and version of your wireless controller, the software revision number (eg. r04) may be briefly displayed, the controller will then display its default time of 4:00 (unregistered).
- ▶ The digital mixer valve will now begin to make a noise as it resets itself and registers with the wireless controller.
- ▶ Registration in progress symbol is displayed for approximately 30 seconds. Do not remove the batteries or switch off the digital mixer valve. registration in progress symbol goes out indicating the digital mixer valve and wireless controller have been assigned to each other.



Registration in
ProgressSymbol

- ▶ Place wireless controller in approximate final position (no more than 10 m (free air) from digital mixer valve) and test wireless signal by pressing “⏻”, and adjusting the temperature. If temperature display remains unchanged and “**out of range**” symbol is displayed, units are unable to communicate with each other.



Out of Range Symbol

- ▶ If test fails, reposition the controller closer to the digital mixer valve and repeat test until satisfied the shower will work reliably at all times.

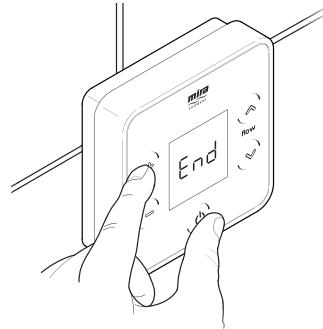
RE-REGISTERING

The wireless controller has previously been registered to the digital mixer at the factory, if communication problems are encountered, a re-registering of the wireless controller may be required.

A re-registering of the wireless controller must also be performed should the control PCB in the Digital Mixer Valve be replaced.

To re-register the wireless controller to the Digital Mixer Valve carry out the following sequence.

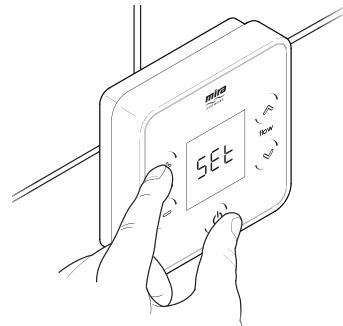
- ▶ Isolate power to the Digital Mixer Valve.



- ▶ Press “+” and “⏻” buttons simultaneously until “End” is displayed on the screen.

- ▶ Restore power to the digital mixer valve.

- ▶ Briefly press the “+” and “⏻” buttons, “SET” will be displayed on the screen. **Note!** if display reads “Err” press “⏻” and repeat the process.



CLEANING

Many household cleaners contain abrasives and chemical substances, and should not be used for cleaning chrome plated or plastic parts. These finishes should be cleaned with a mild washing up detergent or soap solution, and then wiped dry using a soft cloth.

DISPOSAL AND RECYCLING

End of Product Life

Electrical and electronic devices contain a range of materials that can be separated for recycling and used in new products.



This product should not be disposed of with your general household waste. When this product has reached the end of its serviceable life, please remove the batteries and take it to a recognised WEEE (Waste Electrical and Electronic Equipment) collection facility such as your local civic amenity site for recycling.

Your local authority or retailer will be able to advise you of your nearest collection facility.

Batteries

Spent batteries should not be disposed of with your normal household waste. Contact your local authority for information on waste disposal and recycling.

CUSTOMER SERVICE

Guarantee

Your product has the benefit of our manufacturer's guarantee which starts from date of purchase. This guarantee only applies in the United Kingdom and Republic of Ireland. To activate this guarantee, please return your completed registration card, visit our website or free phone 0800 5978551 within 30 days of purchase (UK only).

Within the guarantee period we will resolve defects in materials or workmanship, free of charge, by repairing or replacing parts or product as we may choose.

This guarantee is in addition to your statutory rights and is subject to the following conditions :

- The guarantee applies solely to the original installation under normal use and to the original purchaser only. The product must be installed and maintained in accordance with the instructions given in this guide.
- Servicing must only be undertaken by us or our appointed representative.
Note! If a service visit is required the product must be fully installed and connected to services.
- Repair under this guarantee does not extend the original expiry date. The guarantee on any replacement parts or product ends at the original expiry date.
- For shower fittings or consumable items we reserve the right to supply replacement parts only.

The guarantee does not cover:

- Call out charges for non product faults (such as damage or performance issues arising from incorrect installation, improper use, inappropriate cleaning, lack of maintenance, build up of limescale, frost damage, chemical attack, corrosion, system debris or blocked filters) or where no fault has been found with the product.
- Water or electrical supply, waste and isolation issues.
- Compensation for loss of use of the product or consequential or indirect loss of any kind.
- Damage or defects caused if the product is repaired or modified by persons not authorised by us or our appointed representative.
- Routine maintenance or replacement parts to repaired or modified by persons not authorised by comply with the requirements of the TMV2 or repaired or modified by persons not authorised by TMV3 healthcare schemes
- Accidental or wilful damage.
- Products purchased ex-showroom display.

What to do if something goes wrong

If your product does not work correctly refer to this manual for fault diagnosis and check that it is installed and commissioned in accordance with our instructions. If this does not resolve the issue, contact us for help and advice.



Helpdesk Service

Contact our Customer Services Team for product advice, to purchase spare parts or accessories or to set up service visit. You can contact us via phone or e-mail - contact details below.

Please provide your model name, power rating (if applicable) and date of purchase.



Mira Showers Website

(www.mirashowers.co.uk)

Visit our website to register your guarantee, download user guides, diagnose faults, purchase our full range of accessories and popular spares, or request a service visit.



Spares and Accessories

We hold the largest stocks of genuine Mira spares and accessories. Contact us for a price or visit our website to purchase items from our accessory range and popular spares. (Only available in the United Kingdom)



Service/Repairs

No one knows our products better than our nationwide team of Service Technicians. We can carry out service or repair work to your product both during and after the guarantee period. (Only available in the United Kingdom and Republic of Ireland) Ask about our fixed price service repairs.

To Contact Us: UK

0844 571 5000



Calls cost 7p per minute plus your phone company's access charge

Fax: 01242 282595



Email – Visit

www.mirashowers.co.uk/contactus



By Post: **Mira Customer Services Dept, Cromwell Road, Cheltenham, Gloucestershire GL52 5EP**



To Contact Us: Eire Only

01 531 9337



E-mail:

CustomerServiceEire@mirashowers.com



Mira is a registered trade mark of Kohler Mira Limited.

The company reserves the right to alter product specifications without notice.



mira
SHOWERS