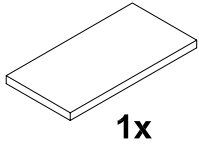


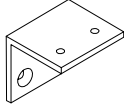
MyRoom™ Poly Marble 600 Worktop Instructions

41405004600

Parts Supplied



1x



2x



M4*25

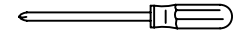
1x



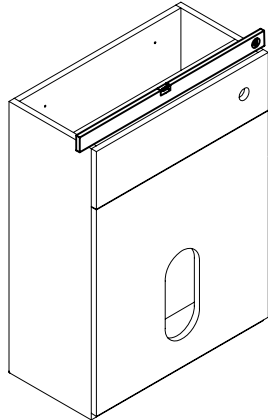
M4*14

8x

Tools Required

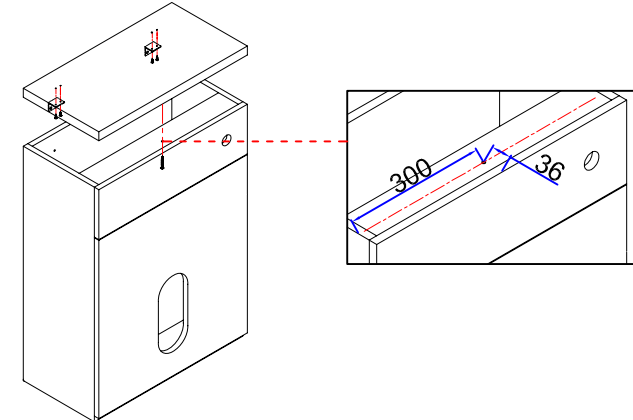


1



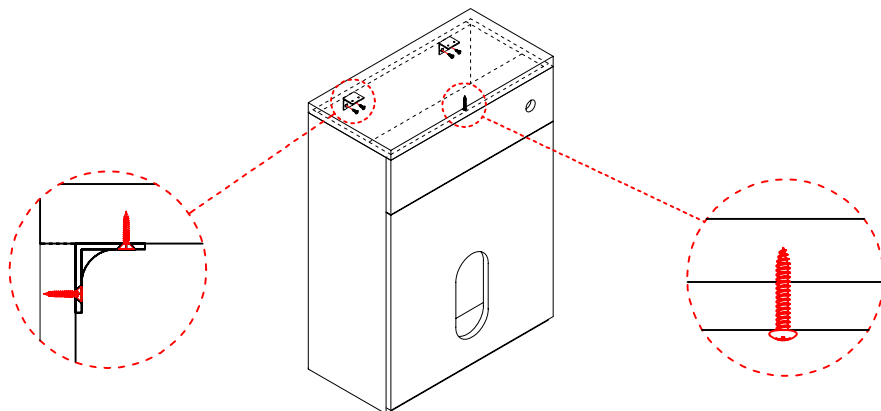
- Make sure that the unit is level, and flush.

2



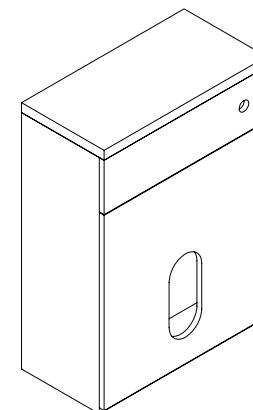
- Locate the wooden blocks underneath the worktop and mark the position for fixing.

3



- Use the brackets and fixing screws to secure the worktop as shown in the diagrams.

4



- The worktop should be cleaned using soft damp cloth with common detergent. Do not use any abrasive agents.