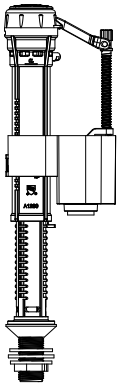
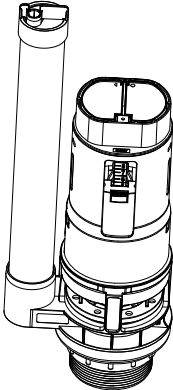
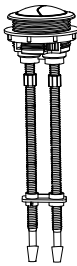




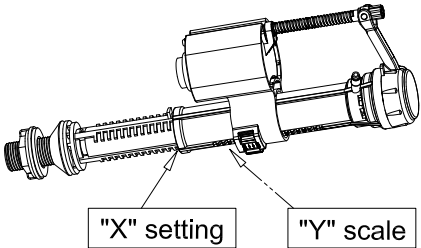
Universal Slim Cistern Fittings

Parts Supplied:

Inlet Valve	Flush Valve	Button	Bolt	Flush Cone
				
1x	1x	1x	2x	1x

- Please read these instructions carefully to avoid damage to the valves, and to ensure correct installation.
- Do not use bleach or bleach based cleaning products in the cistern, as these will cause damage to the seals. We cannot be held responsible or liable for any failure which results from the use of bleach based products.
- Water temperature range +2C to +45C.
- Water pressure 0.2 to 8 bar.

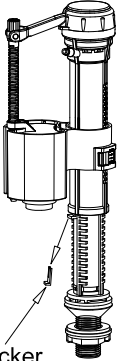
1: Inlet Valve scale and adjustment settings



Note:
The Inlet Valve should be adjusted for the particular cistern into which it is being installed. Please refer to the **Adjustment Instruction** that are included within the ceramic cistern tank for the X, Y setting values. The diagrams below show the detailed adjustment method.

A: Major water level adjustment

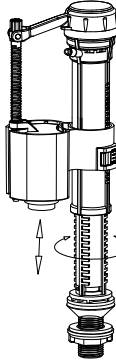
①



Locker

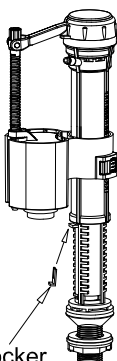
Take off locker

②



Loosen the inlet body by turning slightly anti-clockwise, Adjust it up or down to correct position and tighten clockwise.

③

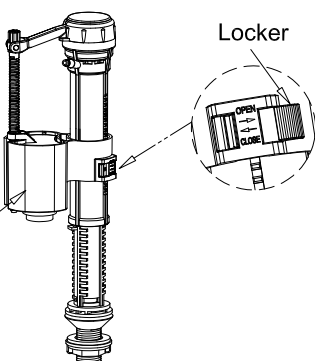


Locker

Re-insert the locker

B: Minor water level adjustment

①

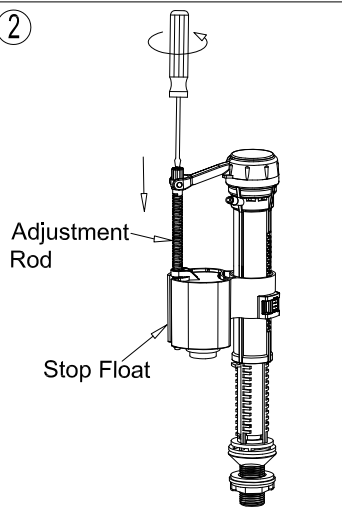


Locker

Stop Float

Slide the locker to "unlock" position, Move the stop float up/down.

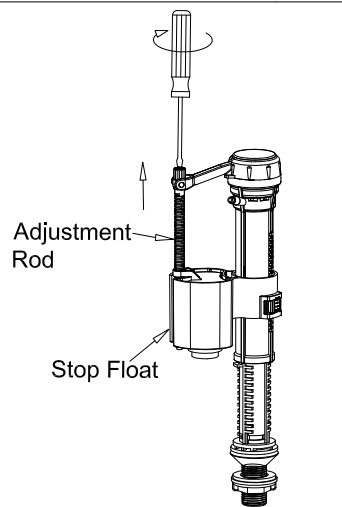
②



Adjustment Rod

Stop Float

To decrease the water level use a screw driver to adjust the level of the Stop Float (as shown). The float should be lowered

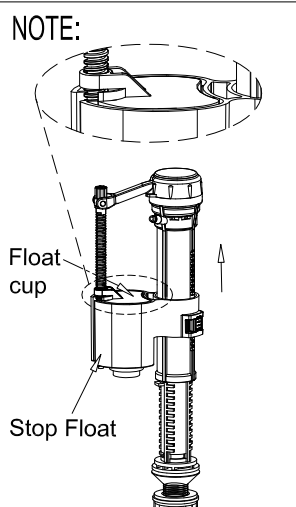


Adjustment Rod

Stop Float

To increase the water level use a screw driver to adjust the level of the Stop Float (as shown). The float should be raised.

NOTE:

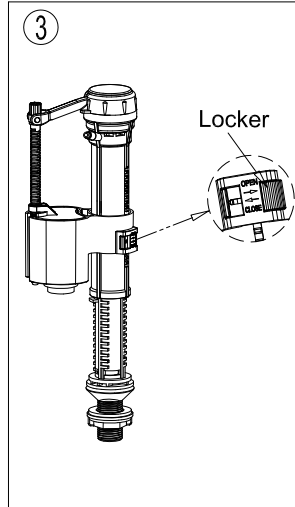


Float cup

Stop Float

Ensure the top surface of Stop Float is in line with the top surface of the Float Cup.

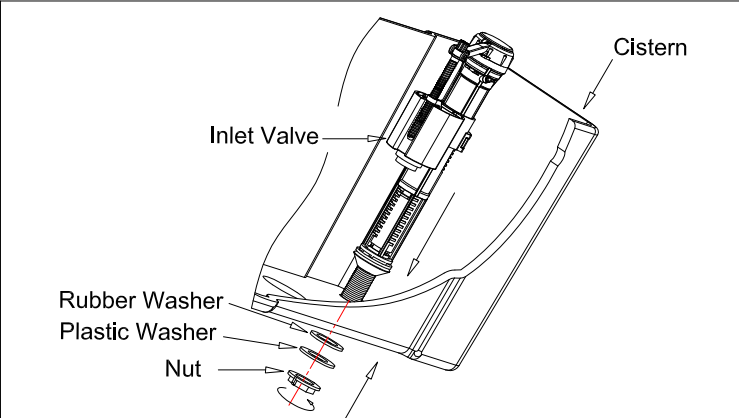
③



Locker

Slide the locker to the "locked" position

2: Inlet Valve installation



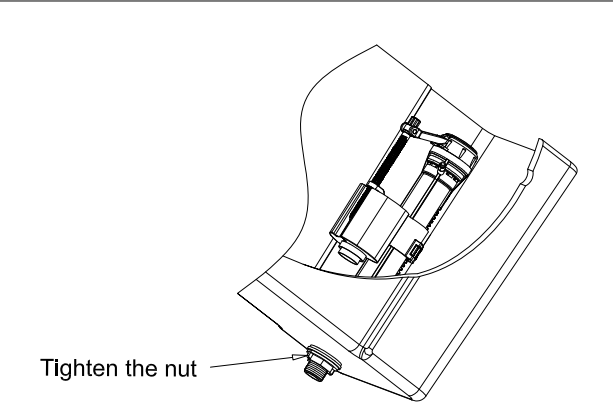
Cistern

Inlet Valve

Rubber Washer

Plastic Washer

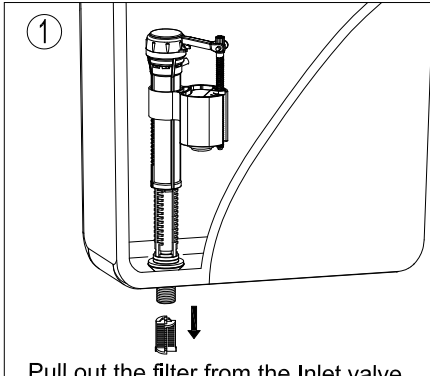
Nut



Tighten the nut

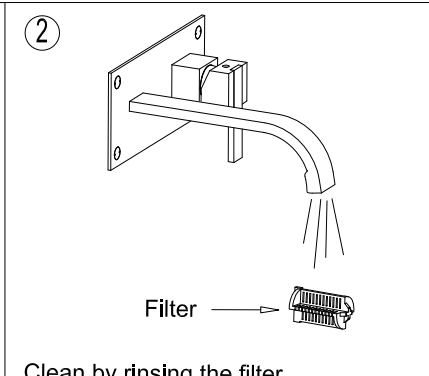
3: Filter cleaning (Please clean periodically)

①



Pull out the filter from the Inlet valve.

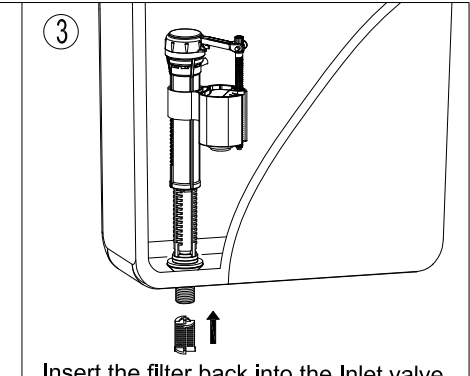
②



Clean by rinsing the filter.

Filter

③



Insert the filter back into the Inlet valve.

4: Inlet Valve trouble shooting

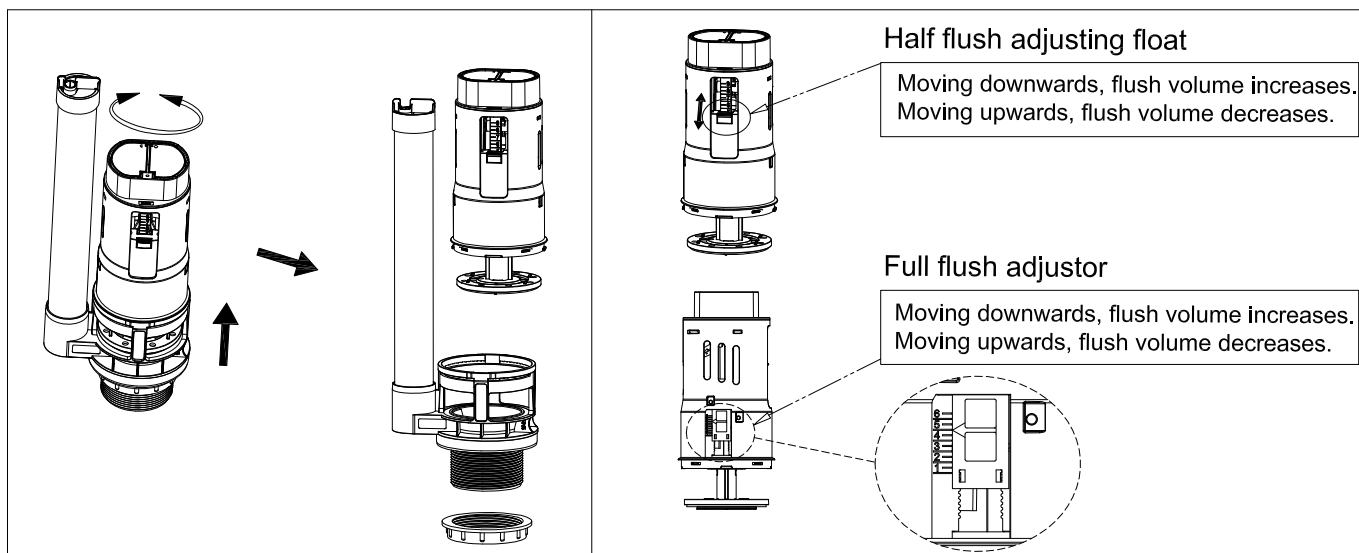
Problem	Reason	Solution
Incorrect water level	Incorrect adjustment.	Adjust the Water level correctly as per page 1 & 2.
Inlet Valve does not work	Water supply is closed.	Open the water supply.
	The filter is blocked.	Clean the filter.
Leakage	The Stop Float has been over adjusted beyond its operational range.	Reconnect the Adjustment Rod, and adjust the water level as per B on page 1 & 2.
	The Inlet Valve fixing nut has not been tightened.	Tighten the nut.

Flush Valve Installation And Problem Solving

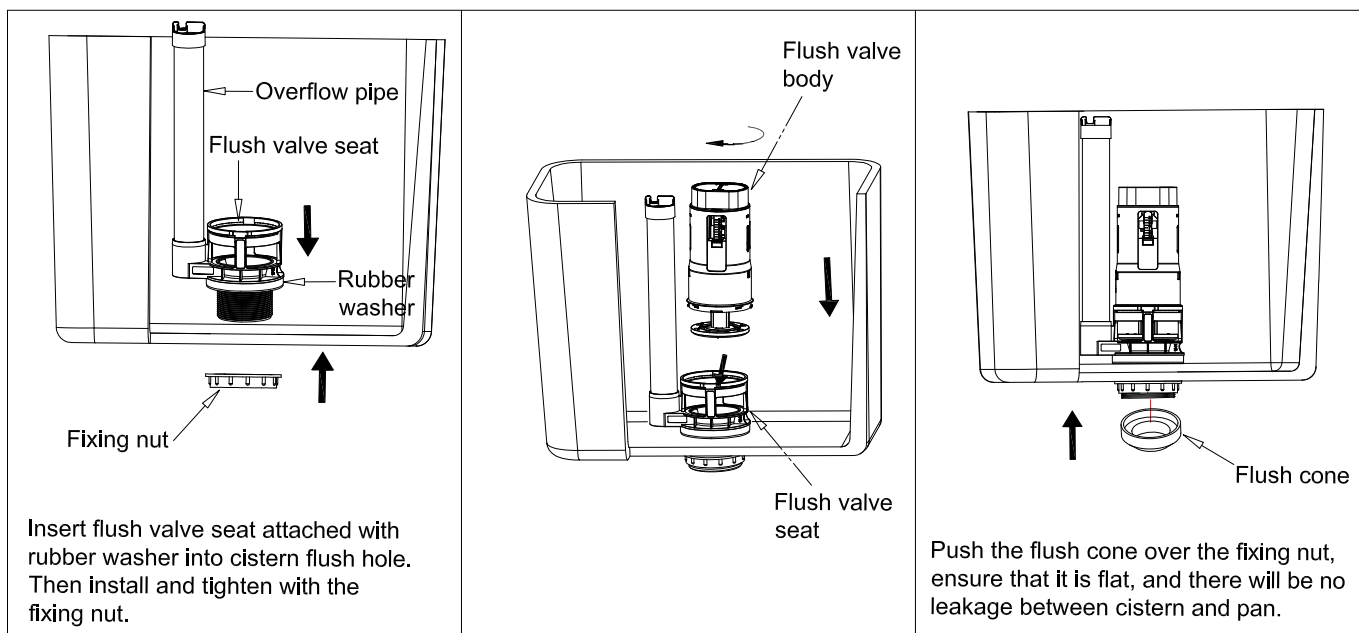
1: Flush Valve scale and adjustment setting

Note: The Flush Valve should be adjusted for the particular cistern into which it is being installed.

Please refer to the **Adjustment Instruction** that are included within the ceramic cistern tank for the full flush and half flush setting values. The diagrams below show the detailed adjustment method.



2: Flush Valve installation

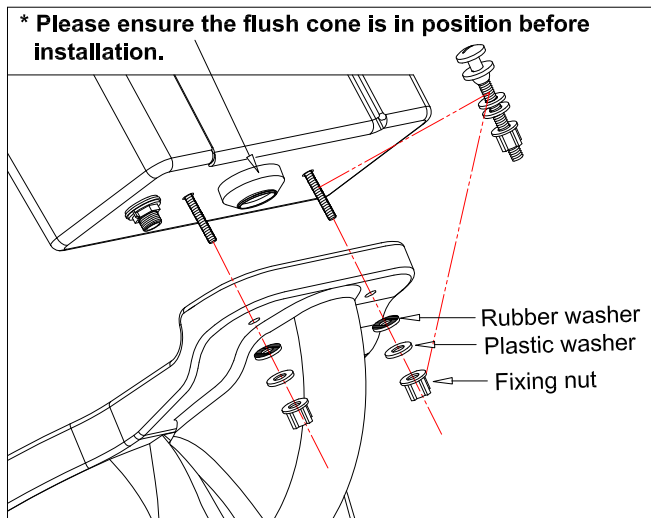


3: Flush Valve trouble shooting

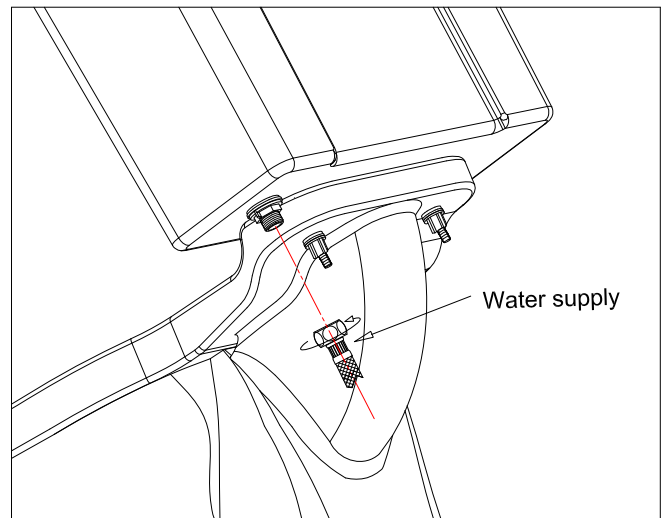
Problem	Reason	Solution
Leakage	<ol style="list-style-type: none"> 1. Incorrect installation. 2. The push rod is too long causing a gap between the washer and the seat. 3. Flush valve seat does not fit on the flush valve body. 4. Flush valve body is stuck. 	<ol style="list-style-type: none"> 1. Install again according to the correct installation procedure. 2. Adjust the push rod length. (see page 4) 3. Install again, ensuring both surfaces are clean for a water tight seal. 4. Take off and wash flush valve body.
No flush, low flush or half flush volume	Push rod is too short.	Adjust the push rod length. (see page 4)
full flush or half flush water level is too high or too low.	Water level is adjusted incorrectly.	Adjust the full flush adjustor or the half flush float cup.

Cistern and Flush Button Installation

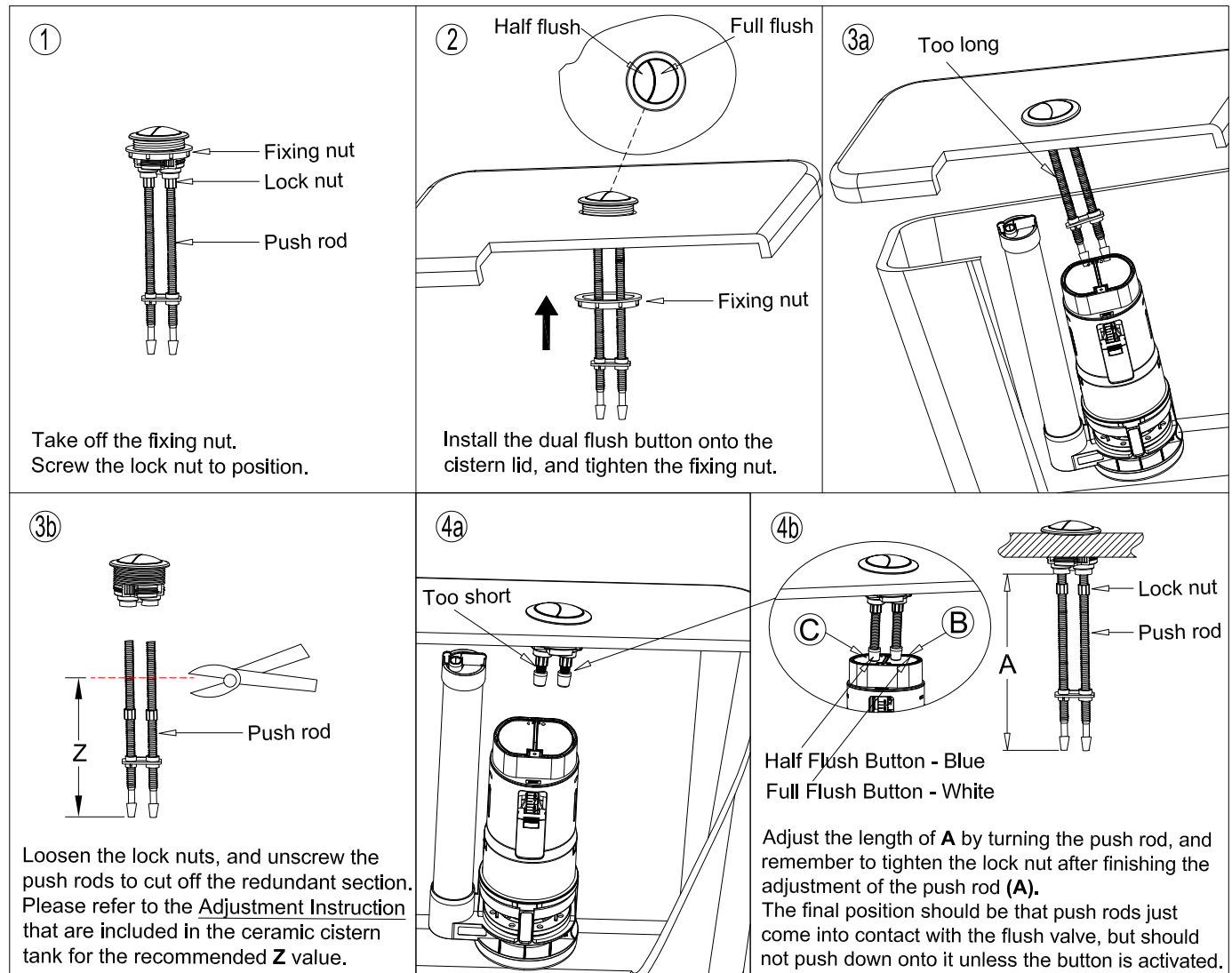
1: Install Close Coupled Cistern To Pan



2: Connect the water supply to the cistern



3: Install The Flush Button



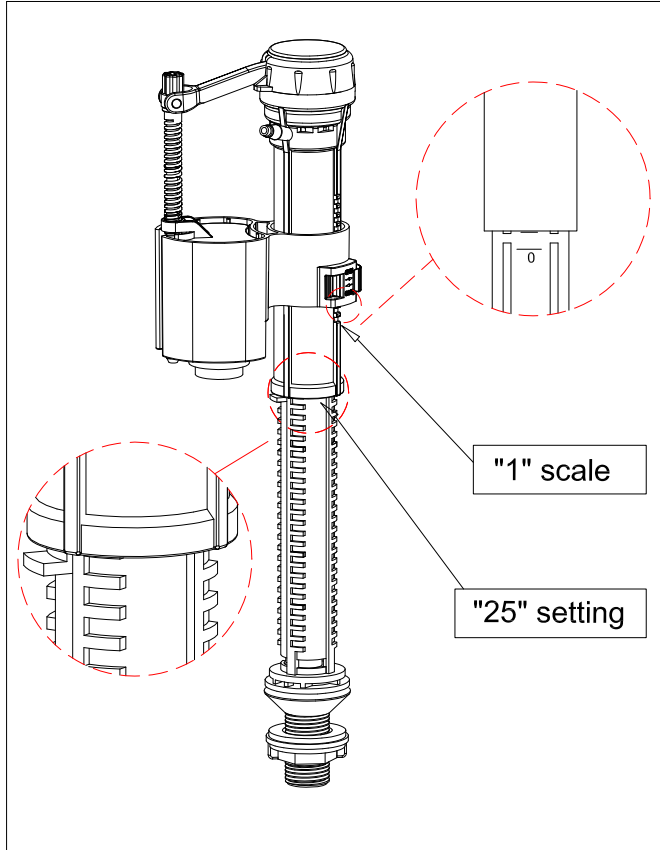
4: After installation check that the full flush and half flush are working correctly.

Please consult the trouble shooting pages if there are any problems.

Please see our website www.bathstore.com for any assistance.

Adjustment Instructions for Scene close coupled cistern - 42000050030

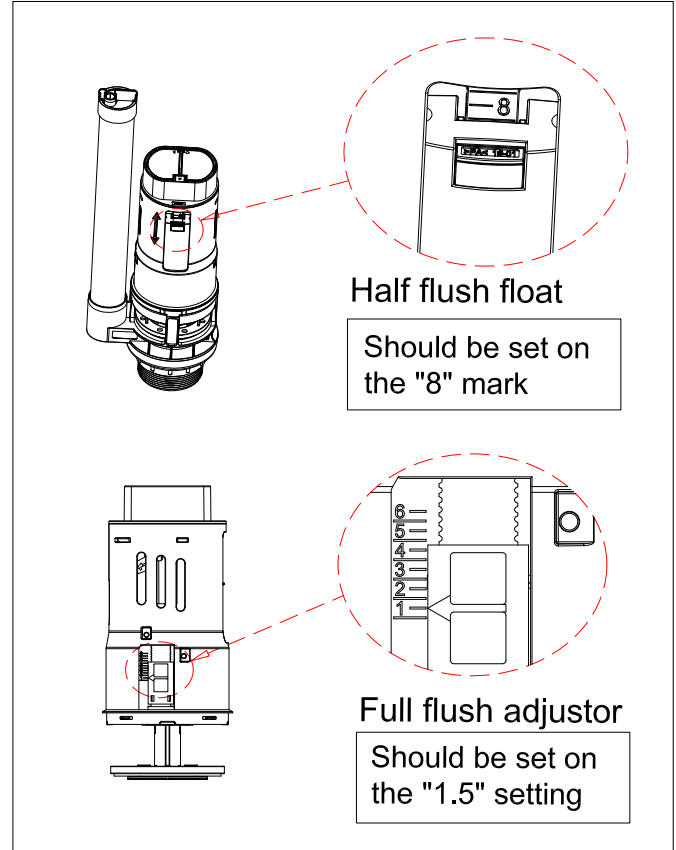
1: Inlet Valve



Note:

The Inlet Valve should be adjusted to suit the Criteria close coupled cistern - 42000050030. The above diagram indicates the correct setting.
For adjustment method, please refer to the installation instruction supplied with the cistern fittings.

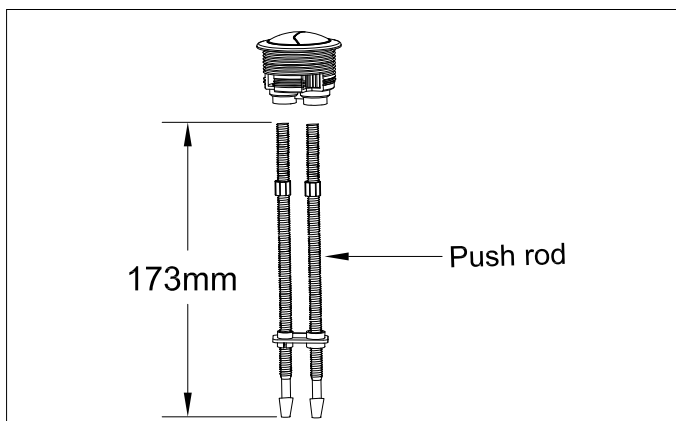
2: Flush Valve



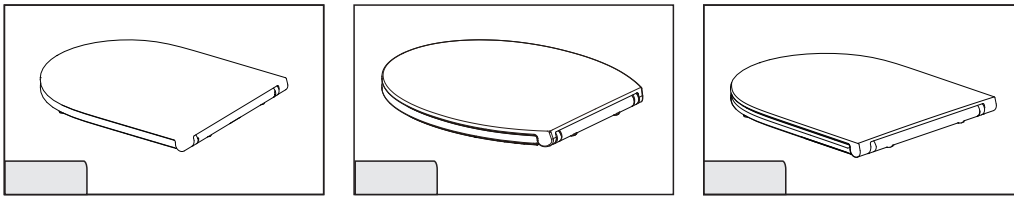
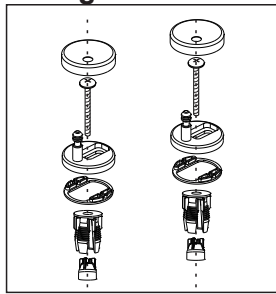
Note:

The Flush Valve should be adjusted to suit the Criteria close coupled cistern - 42000050030. The above diagram indicates the correct setting.
For adjustment method, please refer to the installation instruction supplied with the cistern fittings.

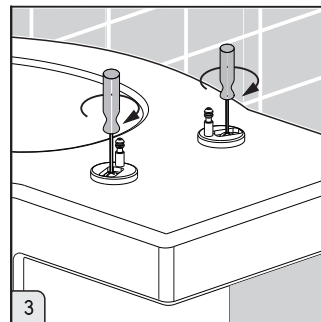
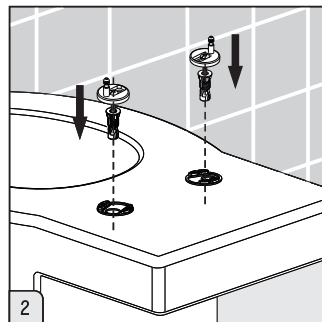
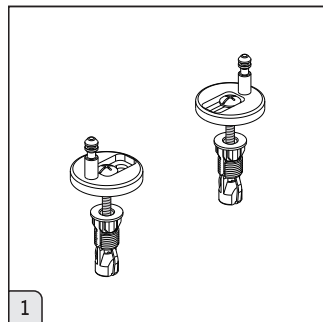
3: Dual Flush Button



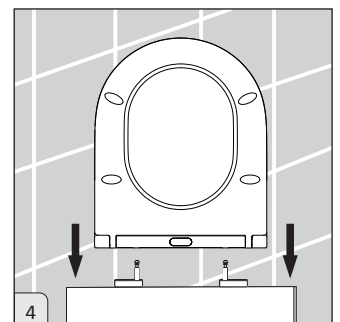
Screw the push rods out of the button, and cut the push rods to a length of 173mm as shown in the diagram on the left hand side.

BATHSTORE WC SEAT INSTALLATION INSTRUCTION

Fittings

Installation Steps

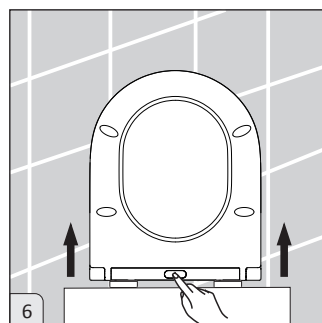
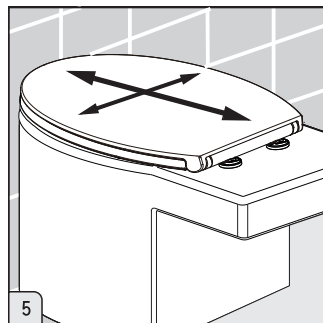
■ Before installation check that all parts are present.



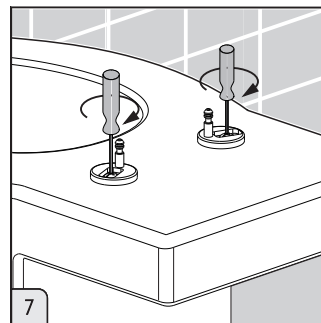
3. Do not fully tighten.



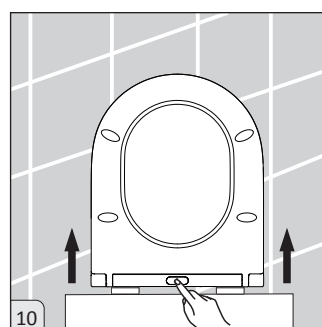
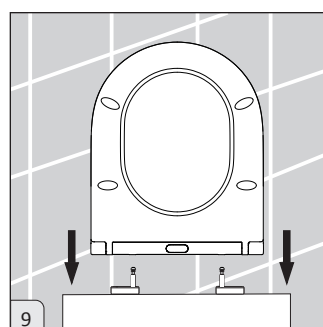
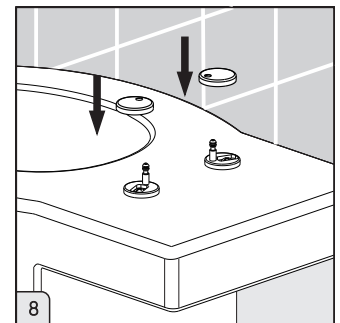
4. Line the mounting posts up with the holes in the hinge section of the seat and click into place.



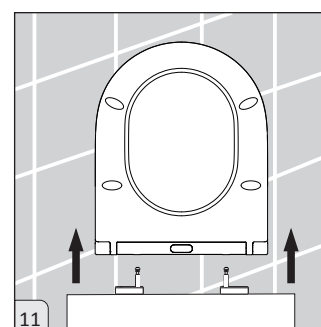
6. To remove the seat press the quick release button and lift off.



7. Fully tighten the fixings.



10. To remove the seat press the quick release button and lift off.



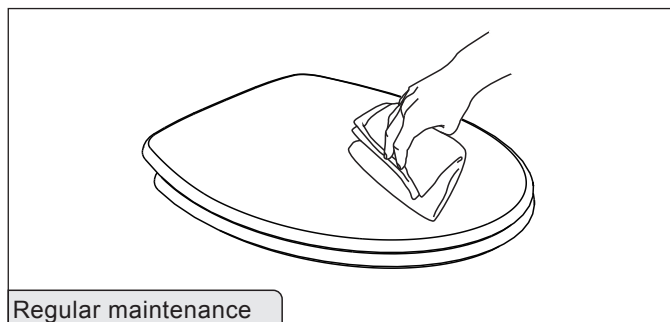
Operation

Allow the seat and lid to close under their own weight.

Care and Maintenance

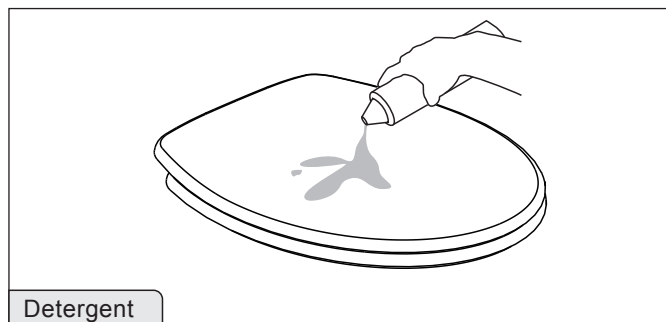


Do not stand on the seat or lid as this can cause damage.



Regular maintenance

■ Clean the seat and hinge plates with a mild detergent then dry with a soft cloth.



Detergent

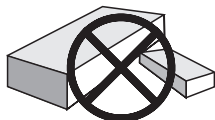
■ Don't clean the toilet seat with abrasive powder.

■ Do not allow chemicals or cosmetics to come in contact with the seat.

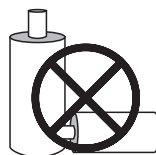
Cautions



■ Avoid direct sunlight as this can cause discolouration.



■ Please do not put heavy things on the seat cover or suddenly sit forcefully on the seat, which may lead to the toilet seat crack.



■ Do not clean the seat or hinge plates with strong chemical cleaners or abrasives.



■ Do not close the seat forcibly.

LIST OF BATHSTORE WC SEAT ITEMS:

Seat Code	Seat Description
41200100815	Soho toilet seat
41200100745	Euro/Transition toilet seat
41200100705	Cityspace toilet seat
41200100765	Freeform toilet seat
41200100785	Pure toilet seat
41200100775	Trio toilet seat
41200100805	Watermark toilet seat
41200100795	MyTime toilet seat
41200100825	Scene toilet seat

Please see our website www.bathstore.com for any assistance.