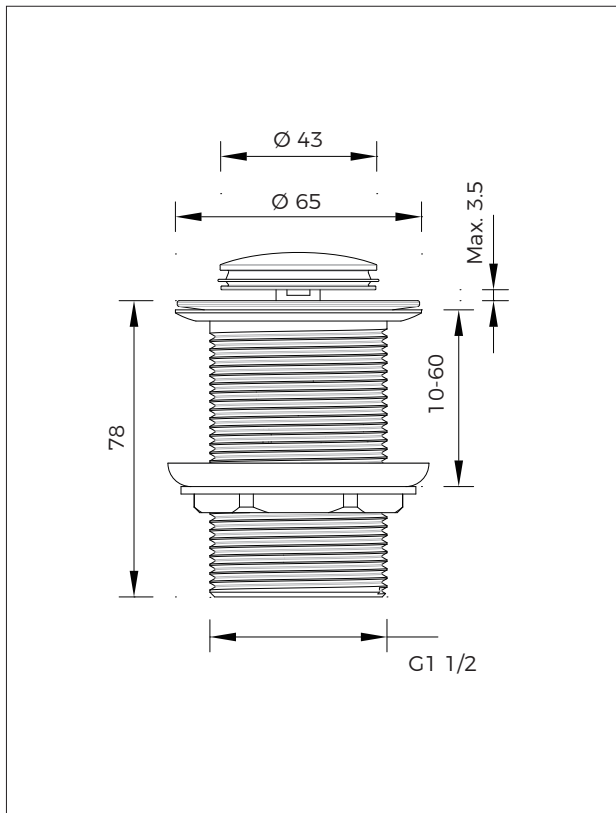


Aero Unslotted Bath Click Clack Waste

559436/576311



Dimensions:

Width: 65mm (±2mm)
Depth: 65mm (±2mm)
Height: 78mm (±2mm)

Important

Important information

If you have an issue or require assistance with this product, then please locate and make a note of the production information located on the instruction manual, as shown. Quote these details when speaking to a Bathstore representative.

This is an example of the label for reference only. Please refer to the product for information.

WW/YY

Maintenance

We do not recommend that you use any household cleaners to clean the product. The product should only be cleaned with soapy water, rinsed with clean water, then dried with a soft cloth.

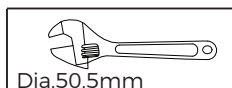
Parts list

No.	Description	Qty
1	Waste base	1
2	Rubber ring (white)	1
3	Rubber washer (white)	1
4	Nut	1



Tools needed (not included)

Adjustable spanner



Assembly

- Make sure that the rubber ring (2) has been fitted to the waste base (1).
- Position the waste base (1) down through the holes of the bath.
- Fit the rubber washer (3) and nut (4) onto the threaded part of the waste base (1), below the bath. Do not over tighten.

