

FORGE

stainless steel double robe hook

41800032116



INSTALLATION GUIDELINES

1. Ensure the wall is strong enough to support the robe hook.
2. Mark the wall before drilling
3. Be aware of the location of pipes and cables behind the wall before drilling
4. Use the appropriate drill bit for the wall plugs.

CARE AND MAINTENANCE:

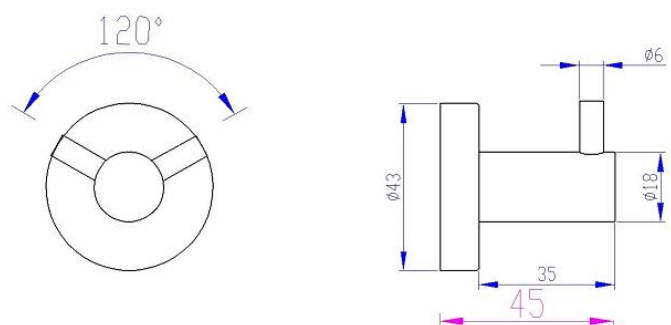
To maintain the appearance of this product, ensure that it is regularly cleaned only using a clean, soft damp cloth. A solution of warm water and a mild detergent may be used where necessary, and then the fitting rinsed thoroughly and wiped dry. Any other cleaning action will invalidate your warranty.

Abrasive cleaners, scouring cleaners and acidic cleaners **must not be used** under any circumstances. Avoid contact with all solvents (including chlorinated solvents, ketones or acetones as these may result in surface deterioration or etching).

DIMENSIONS:

Depth	45 mm
Height	43 mm

DIMENSIONAL DRAWING



FEATURES AND BENEFITS

- Highest quality stainless steel
- Contemporary Italian design
- Lead free