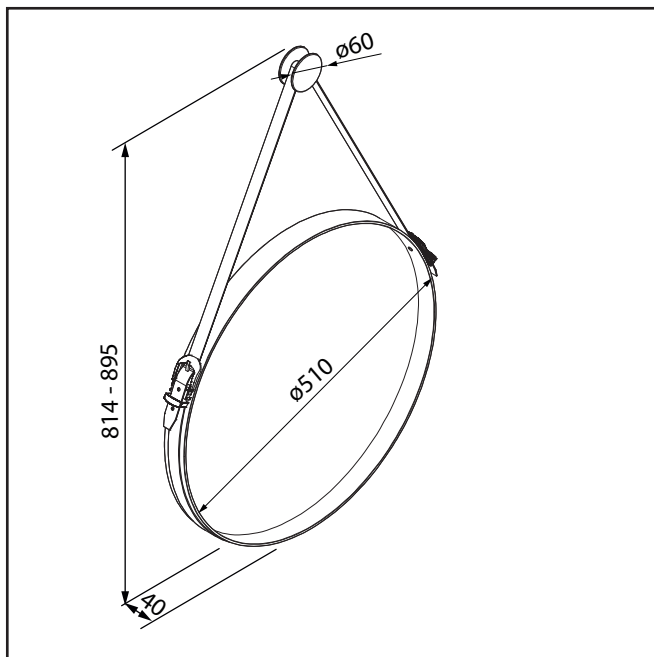


## Assembly Instructions

### Noir 500 round mirror

41800030060

**DIMENSIONS:**

Width: 510mm

Depth: 40mm

Height: 814 - 895mm

**IMPORTANT:**

This vanity unit must be securely fixed to a suitably strong wall. It may be necessary to reinforce the wall at the fixing points. The fixing method used to secure the unit to the wall must be suitable for the wall construction.

**CARE AND MAINTENANCE:**

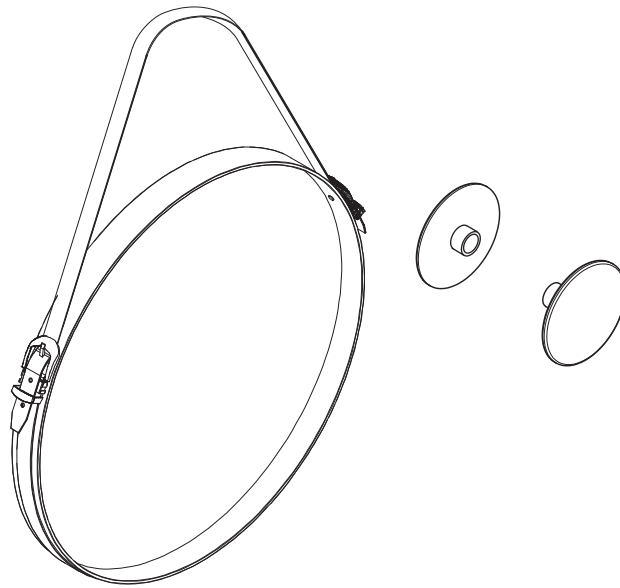
A furniture unit must be cleaned with a wet but well wrung-out cloth. Do not use abrasive products, and do not expose the furniture unit to chemical agents. Excess liquid and excess humidity must be cleaned immediately to prevent them penetrating into the furniture unit.

Avoid contact with sharp items that can damage the furniture surfaces.

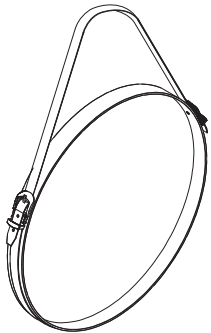
Excessive exposure to sunlight can cause discolouration and deterioration of the furniture finishes.

It is recommended to install the furniture in a well-ventilated area and to avoid direct exposure to sunlight.

EXPLODE VIEW



PIECES REQUIRED



P01  
X1

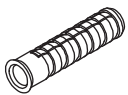


P02  
X1

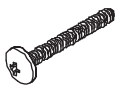


P03  
X1

FITTINGS REQUIRED



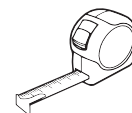
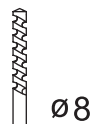
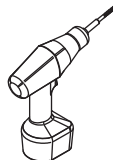
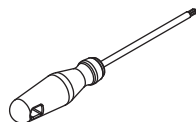
H01  
X1

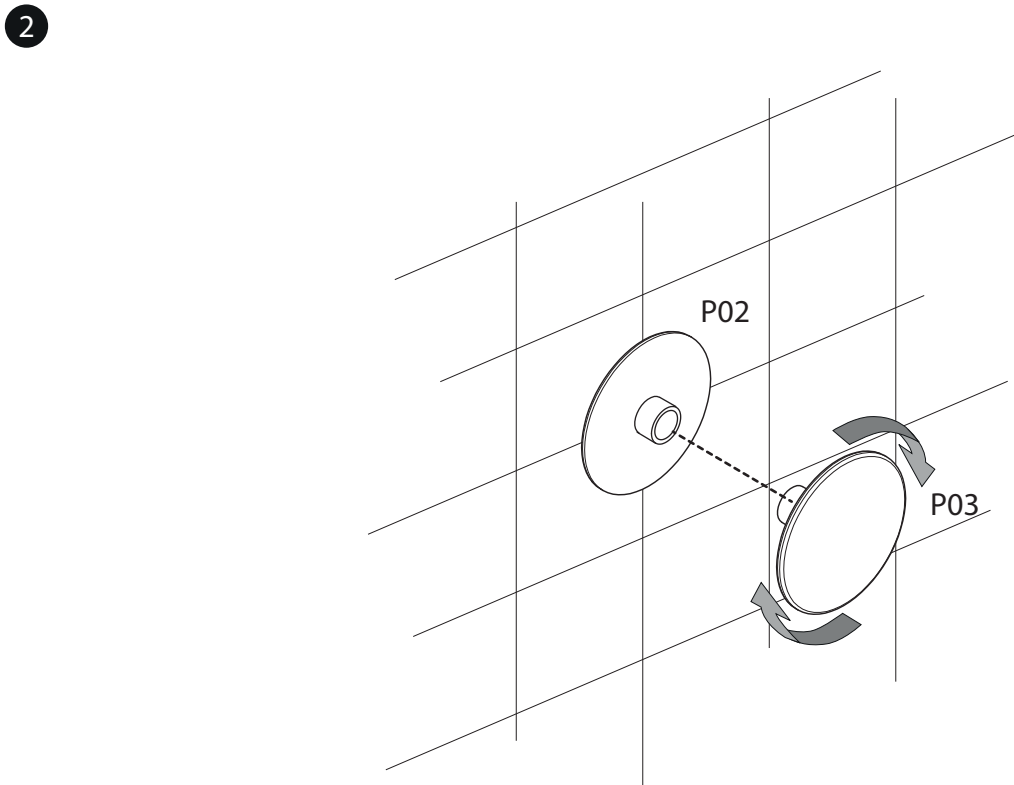
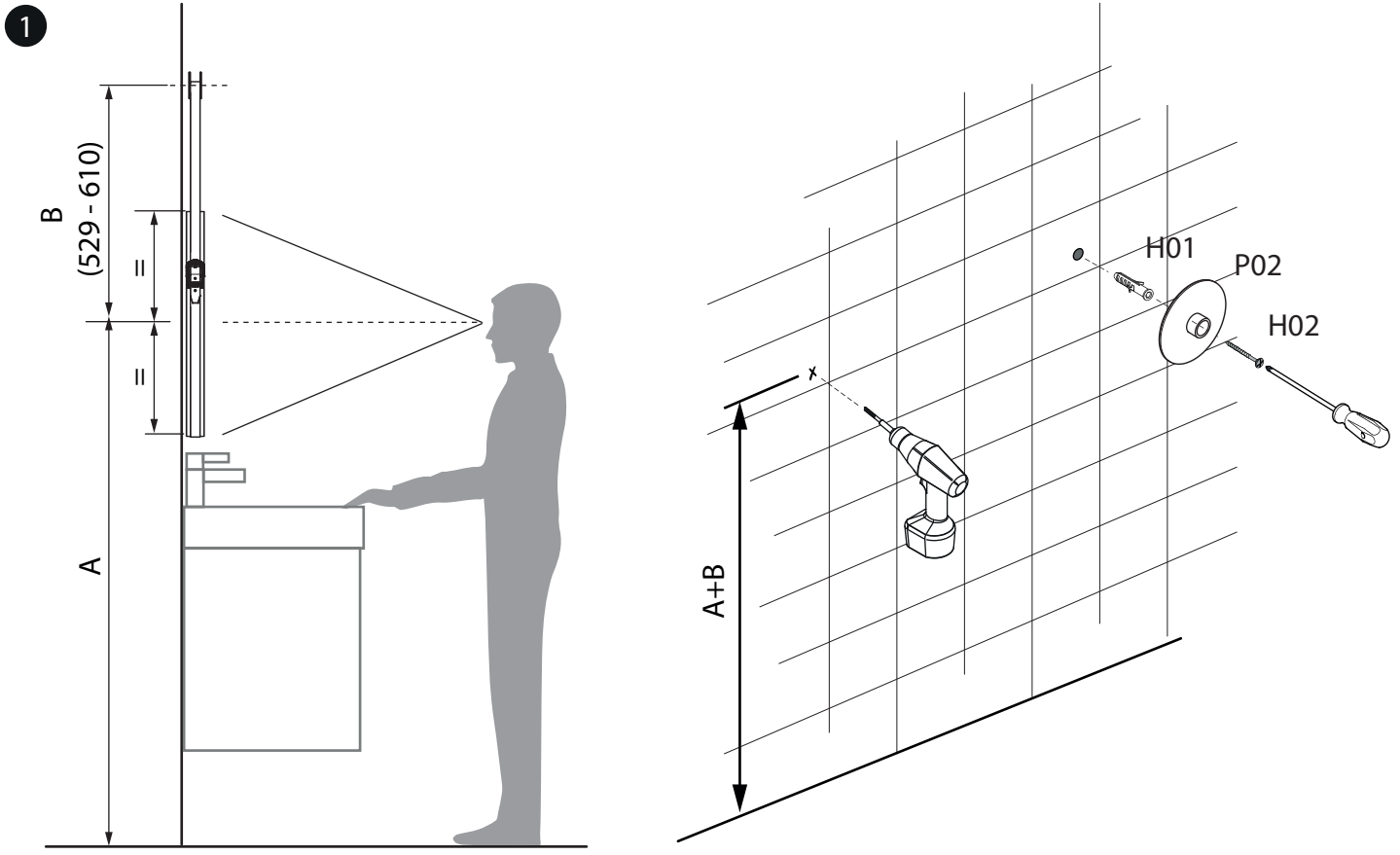


H02  
X1

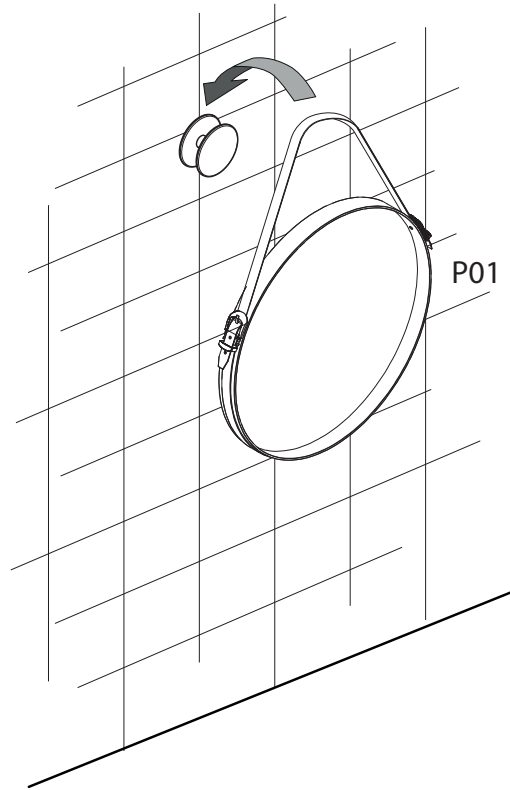
NOTE: Screws (H02) and Wall plugs (H01) are only for use in masonry walls. Appropriate fixings should be used for other types of wall.

TOOLS REQUIRED





3



4

