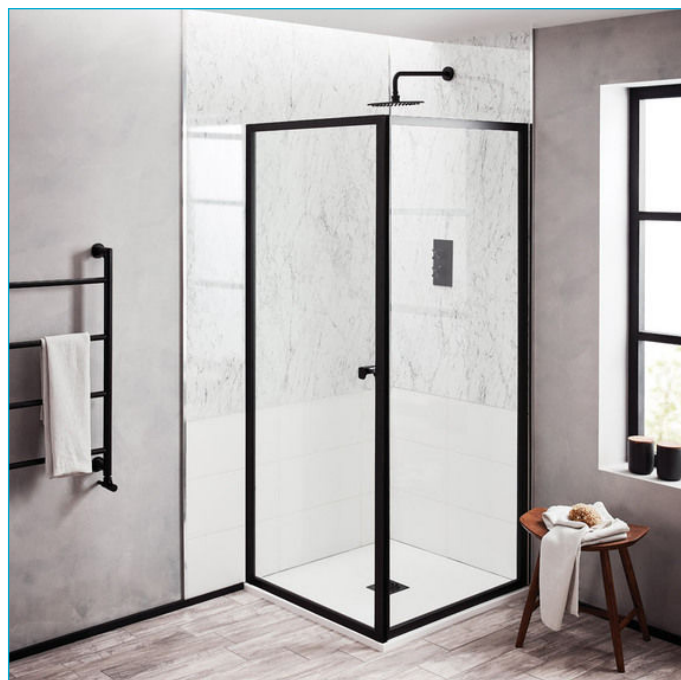


NOIR MATT BLACK 800 SIDE PANEL



ILLUSTRATED

51000033970 NOIR MATT BLACK 800 SIDE PANEL CLEAN PLUS

CONFIGURATION OPTIONS

MATERIAL

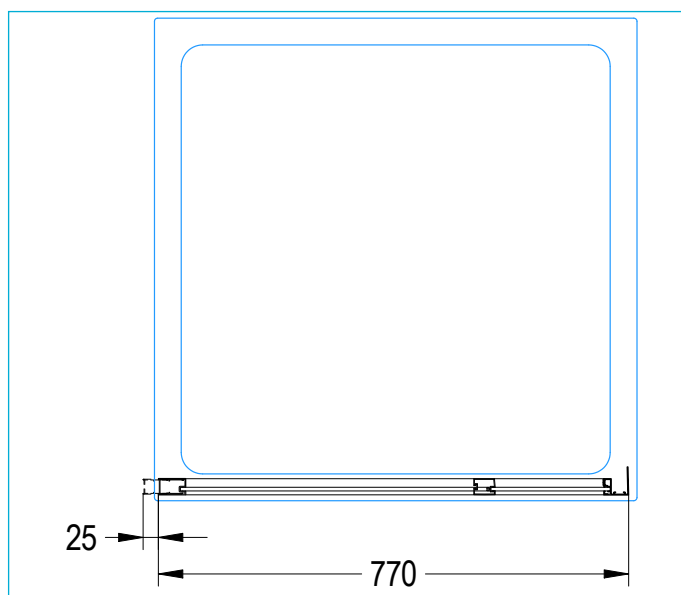
Aluminium
6mm glass

STANDARDS

BS EN 14428

NET WEIGHTS

Screen 25.5kg



COLOURS AND FINISHES

Matt black

SPECIAL NOTES

Matching waste available

FEATURES

Cutting edge design
Clean+ technology reduces limescale build up making cleaning faster and easier

PRODUCT CODE	DESCRIPTION	HEIGHT (mm)	ADJUSTMENT RANGE (mm)
51000033970	Noir matt black 800 side panel	2000	768-793

For further details:

Go online at bathstore.com

bathstore.com Ltd. Makes every effort to ensure that the information provided on its website is accurate. However, we cannot guarantee this, and accept no liability for any information given via its website.