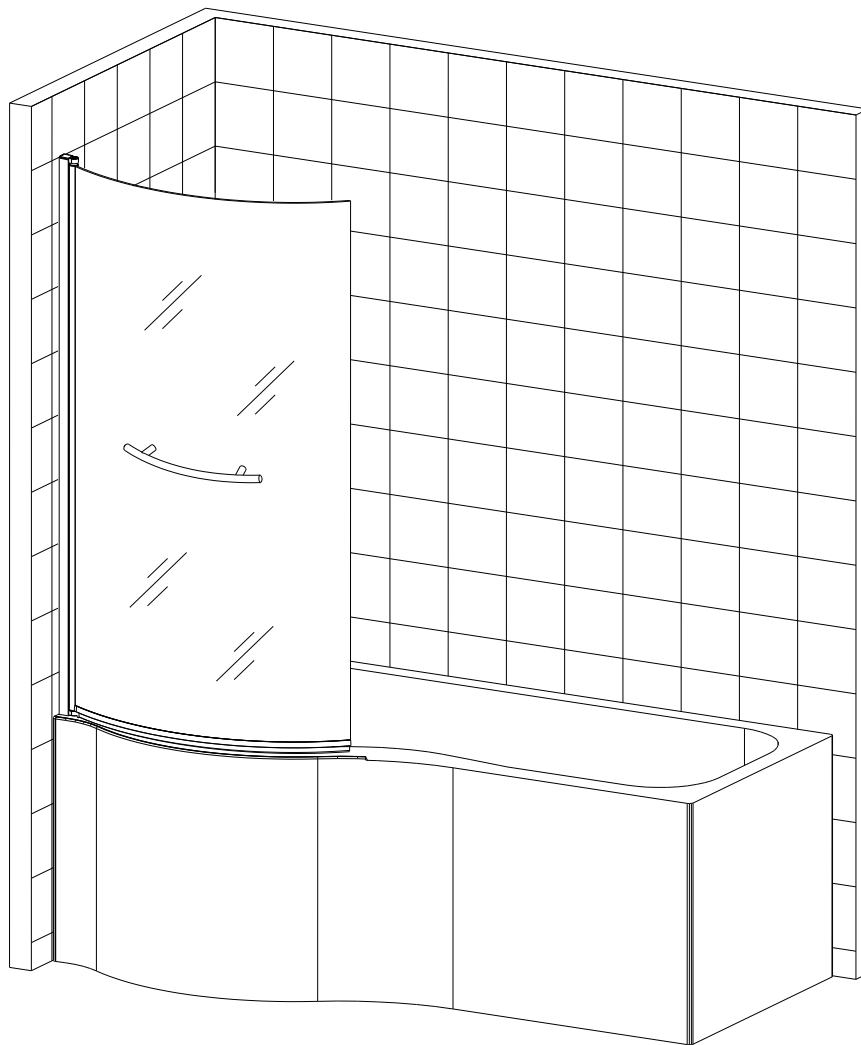


P Shape Screen with Towel Rail Installation Instructions



1400x710mm

- Please read these instructions in full before installing




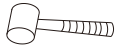





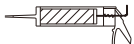
IMPORTANT

- Check that the bathtub has been installed to the manufacturer's instructions. Please note - All product is supplied without a bathtub.
- Opening wall adjustments
P Shape screen - adjustment = 695 - 710 mm

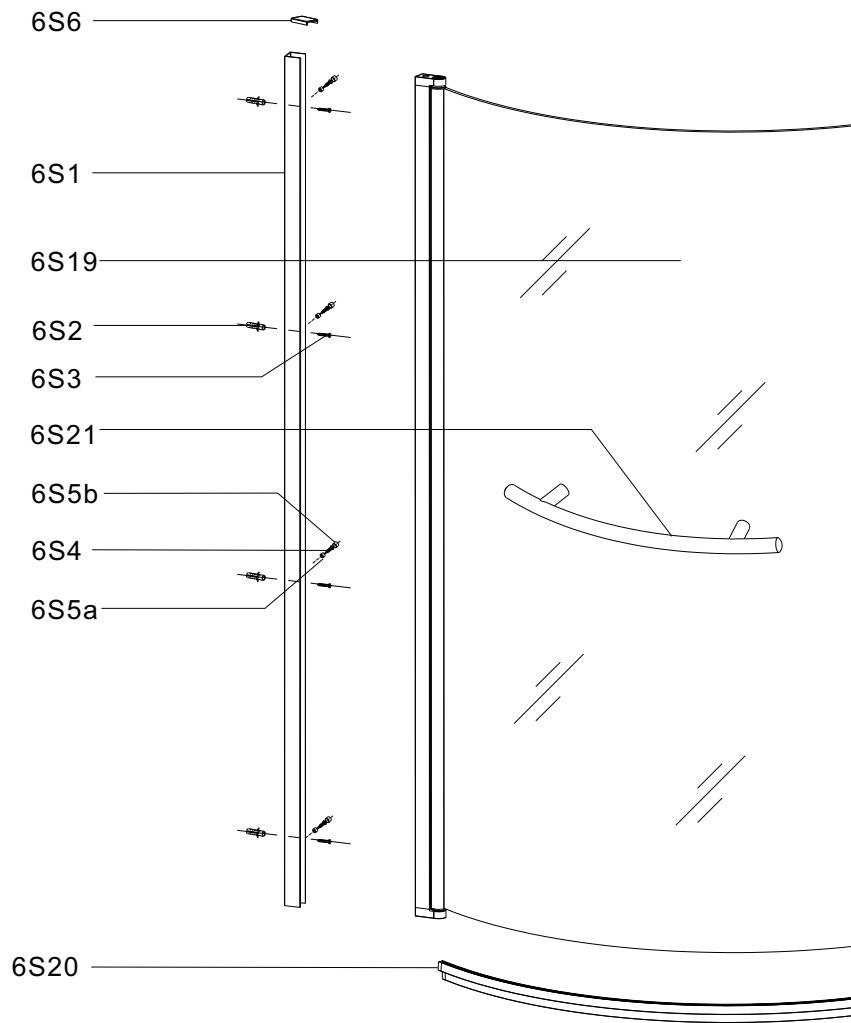
GENERAL SAFETY INSTRUCTIONS

- Do not fix the wall profile to newly plastered, painted or papered walls as chemical reaction may cause discolouration to the surface finish.
- Important: The wall plugs included in this pack are for solid walls only. If the product is to be mounted on a partition or stud wall, specialised fixings should be purchased separately.
- Fixing tips; A piece of insulating tape or a couple of layers of masking tape applied to the wall before marking out the fixing holes will help stop the drill from wandering, particularly on tiled surfaces.
- When working near a basin or bath insert the plug into the waste, this will help you avoid losing small parts. Also take care not to drop accessories or tools onto the bath or basin, use a towel or bathmat to protect delicate surfaces.
- **CAUTION!**
Before drilling into any walls check that there are no hidden cables or pipes. Exercise great care when using power tools near water. The use of a residual current device (RCD) or cordless drill is recommended. Always double check the positioning and measurements before drilling holes.
- This product is heavy and requires two people during lifting and operations.
- Glass is delicate, support on cardboard to minimise risk of damage.




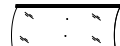

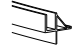


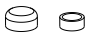
Tools required (not supplied)

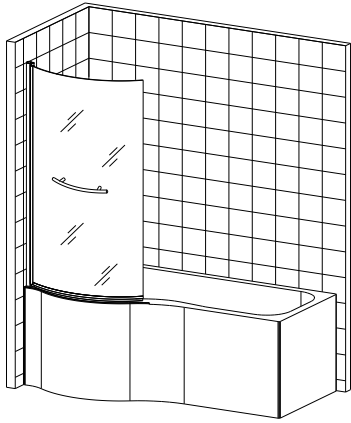
Electric drill		tape measure	
drill(Ø3.2mm)		rubber hammer	
drill(Ø6mm)		knife	
cross tip screw driver		pencil	
spirit level		silicone sealant	

IDENTIFICATION OF PARTS

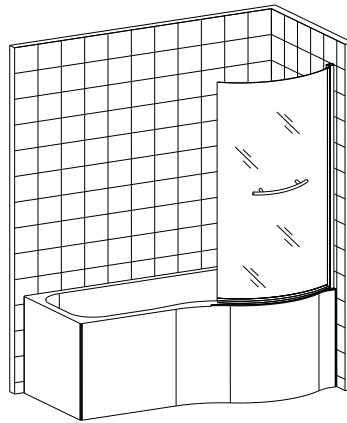


Fixings & fittings supplied

Item No.:	Part	Quantity	Item No.:	Part	Quantity
6S1		X 1	6S6		X 1
6S2		X 4	6S19		X 1
6S3	 ST4X30	X 4	6S20		X 1
6S4	 ST4X10	X 4	6S21		X 1
6S5		X 4			



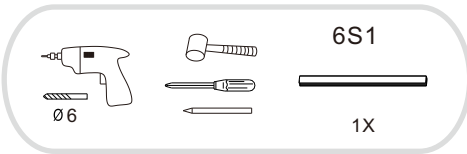
LH



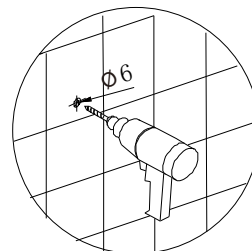
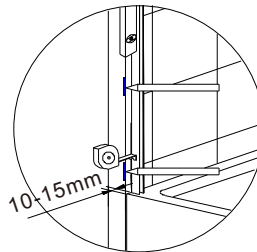
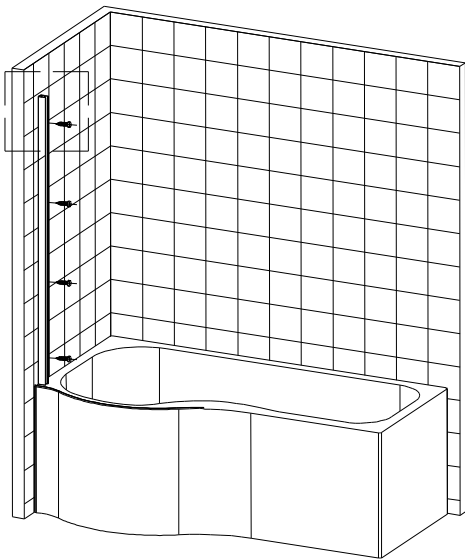
RH

P shape screen is ok to be installed in left and right hand. Below steps are based on left hand. For right hand, please turn the screen panel upside down and follow below steps in mirror direction.

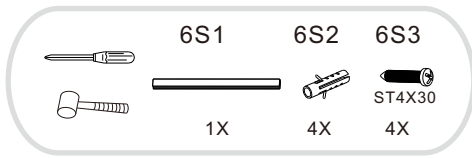
1.



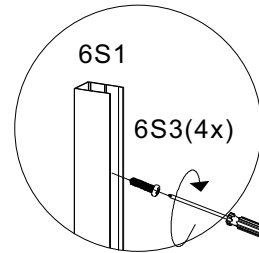
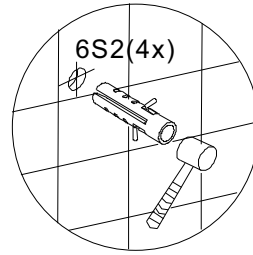
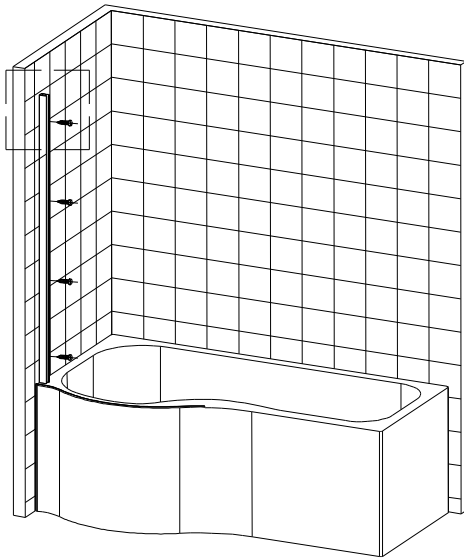
- Ensure the bath is level and sealed correctly before installation.
- Put the wall profile 6S1 against the wall, ensuring the distance between the profile and the bathtub edge is correct. Adjust the profile to make sure it is vertical by using a spirit level.
- Mark the holes on the wall.
- Drill the holes ($\phi 6\text{mm}$) according to the marks.



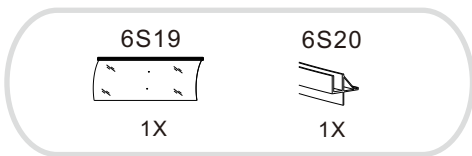
2.



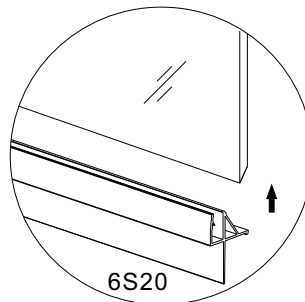
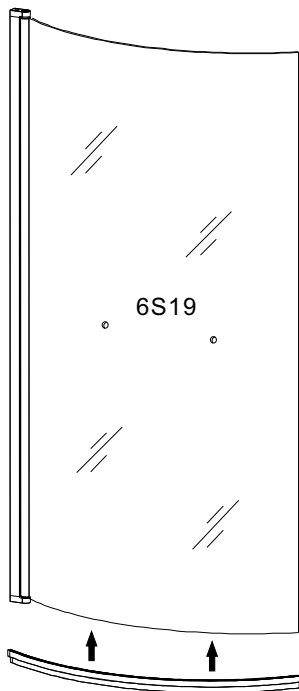
- Insert wall plugs 6S2(4X) into the holes.
- Fix wall profile 6S1 on the wall with screws 6S3(4X).



3.

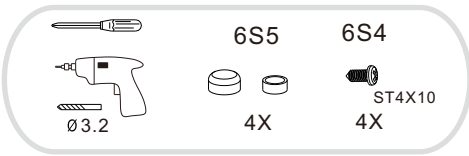


- Apply bottom sealer 6S20 on the bottom of glass panel 6S19.

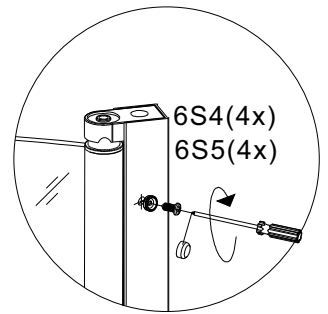
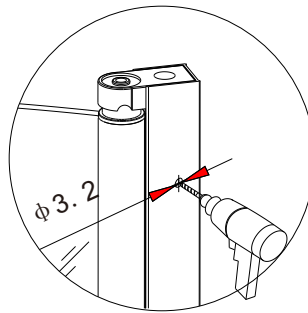
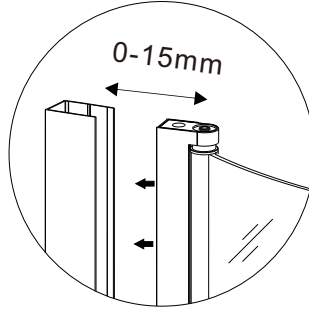
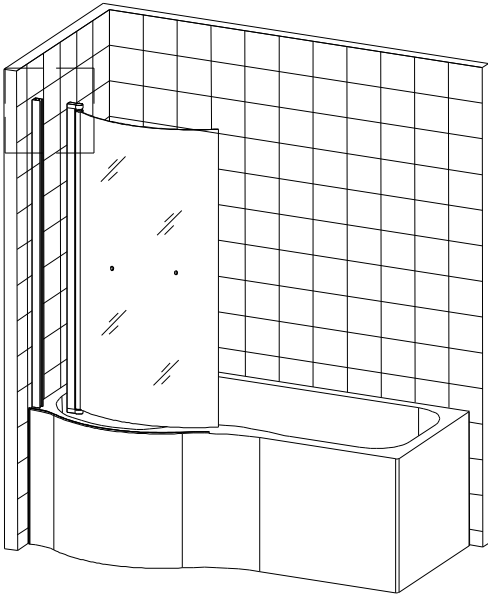


Caution:
The triangle bubble should be mounted towards inside of the bathtub.

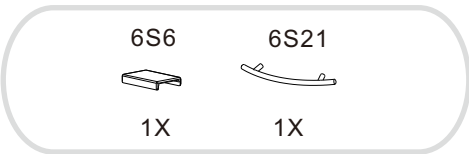
4.



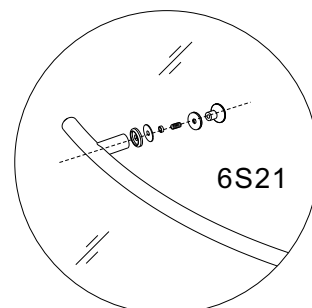
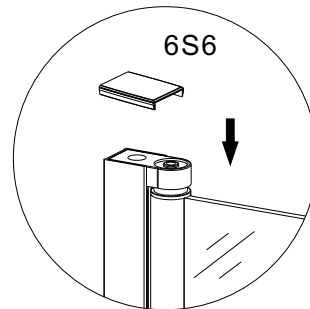
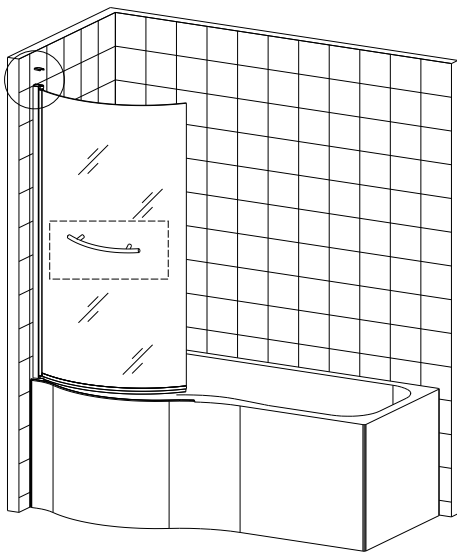
- Insert vertical profile into wall profile. There is 15mm adjustment between vertical profile and wall profile. Please adjust the screen panel in correct position and make sure glass panel fits along the bath edge, but does not sit down directly on bathtub edge.
- From inside drill through the vertical profile and into wall profile where shown, using a $\phi 3.2$ mm drill bit.
- Fix the parts together using screws 6S4(4X) and screw seats and caps 6S5(4X).



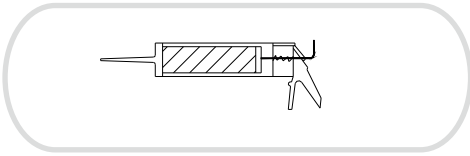
5.



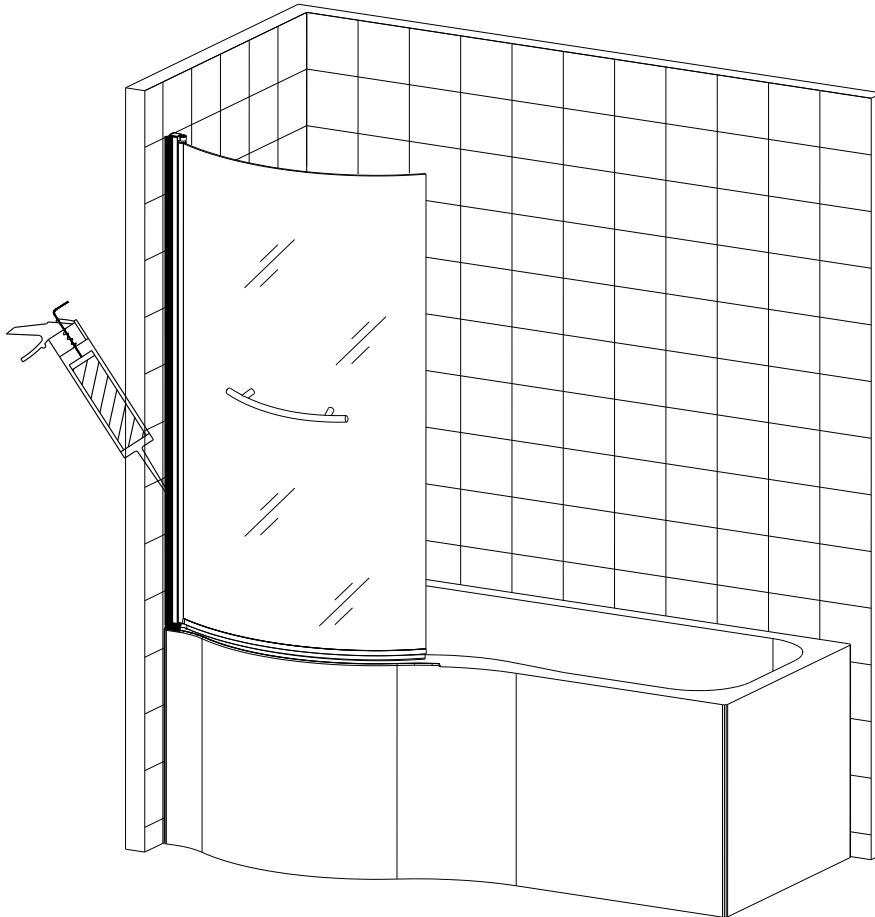
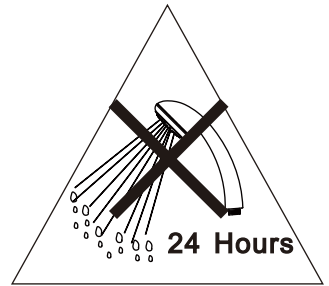
- Cover the wall profile with top cap 6S6.
- Mount towel rail 6S21 on the screen panel.



6.



- Apply silicone sealant to the outside of the enclosure.
Please note: Do not apply silicone sealant to the inside of the enclosure.



Cleaning and Maintenance:

Please do not use abrasive or strong cleaning solution on the shower enclosure, such as alcohol, petroleum liquids or any other chemical cleaner with acidic contents.
Should there be any dirty stains on the shower enclosure, please clean it with a soft lint free cloth and warm soapy water. Please rinse it with clean water afterwards.

We have taken great care to ensure that this product reaches you in perfect condition. However should any parts be damaged or missing, please contact your point of purchase. This does not affect your statutory rights. In addition, if you require replacement parts, your point of purchase will be happy to assist.