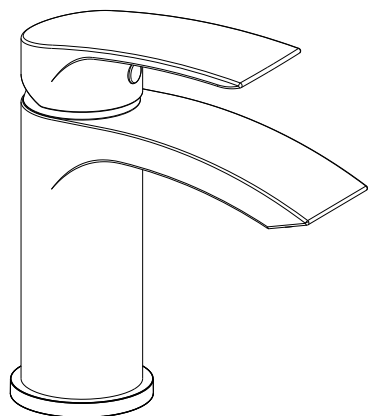


# Specification Sheet

## Basin Monobloc



## Product Specification

- Finish:** Chrome plated
- Construction:** Bodies of tap are solid brass castings and the handles are zinc cast
- Valve Type:** 35mm single lever ceramic disc cartridge
- Supply:** Suitable for all plumbing systems
- Inlet Connection:** Copper tails
- Water Pressure:** Range from a minimum pressure of 0.2bar to a maximum pressure of 5bar
- Net Weight:** 1.15Kg
- Guarantee:** The product carries a 5 year guarantee, **excluding** the ceramic (head/cartridge) which is covered by a 12 month guarantee

## Flow Rates(litres per minute)

System pressure	0.2bar	0.5bar	1bar	2bar	3bar
MBFW110N	6.8	9.5	14	20.7	25.6

We reserve the right to make technical modifications without prior notice