

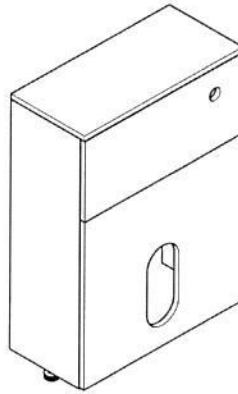
# Bathstore WC Unit

## IMPORTANT NOTE

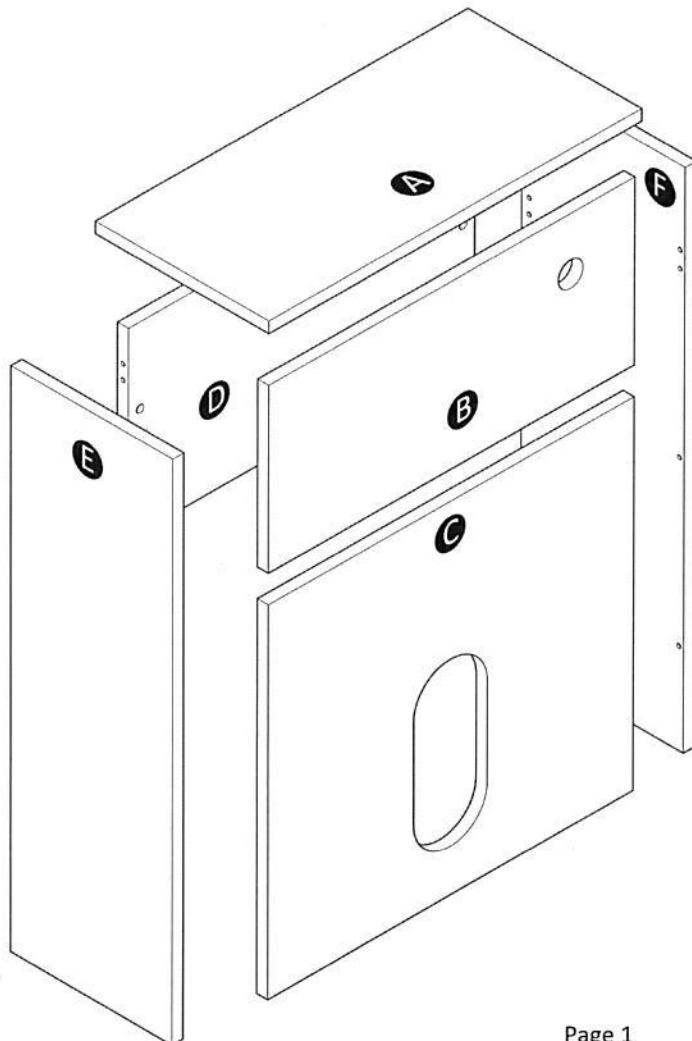
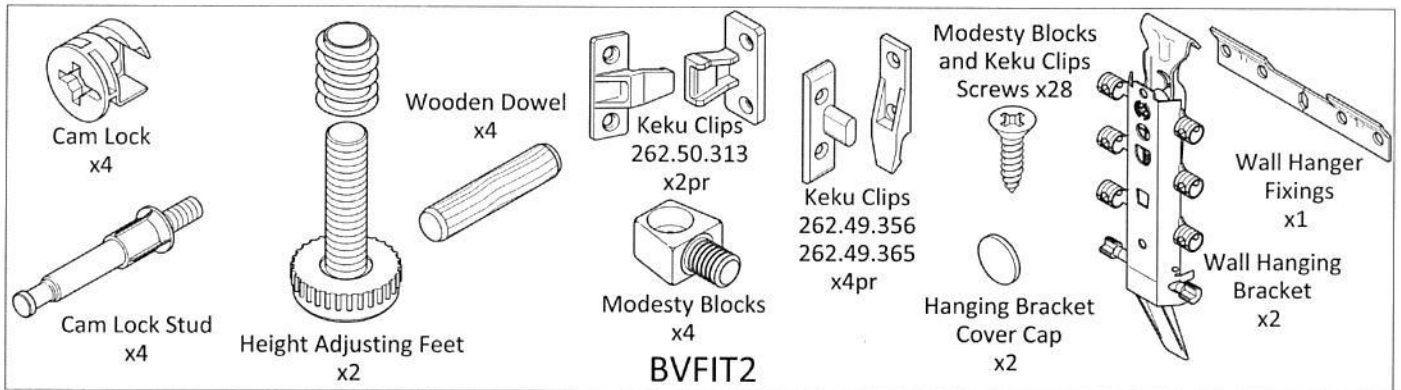
Check all product contents and read instructions before starting installation.

## SAFETY WARNINGS

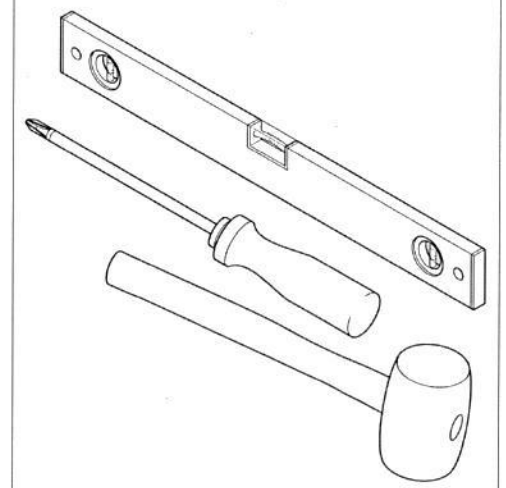
Handle product with care  
 Keep all small parts away from children  
 If product is above 20kg (see packaging) it requires 2 people to carry & install it

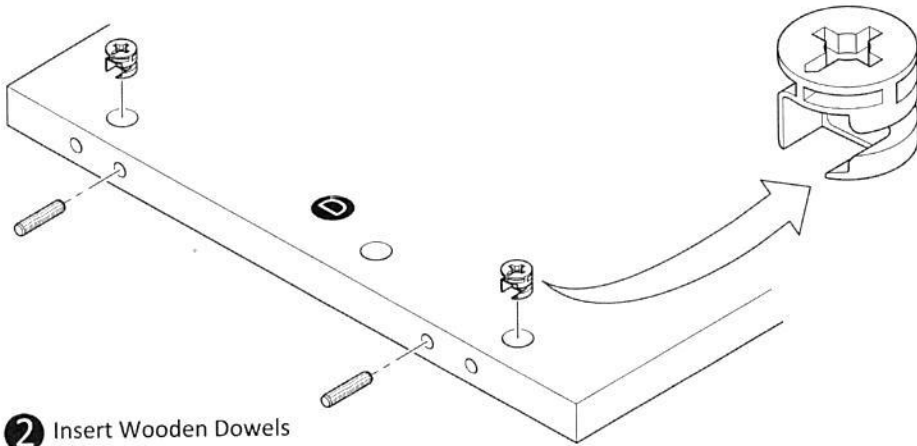


Bathstore WC Unit - 41405019000

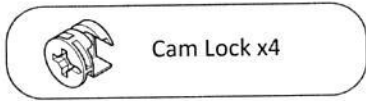


## Tools Required

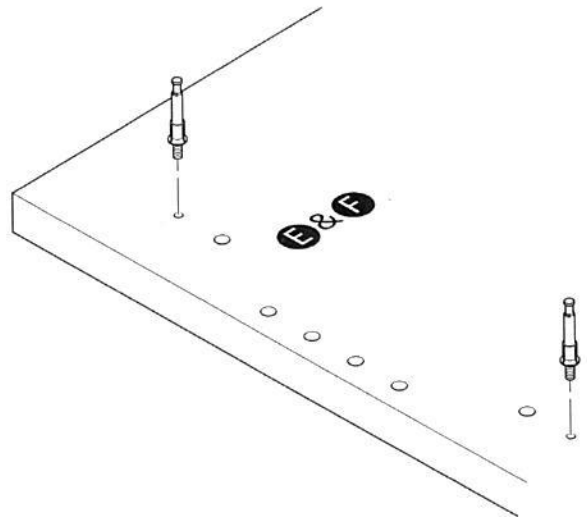
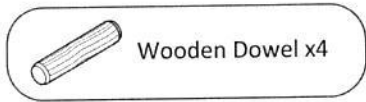




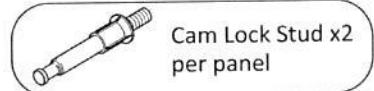
**1** Insert Cam Locks with arrow pointing towards the Stud Hole



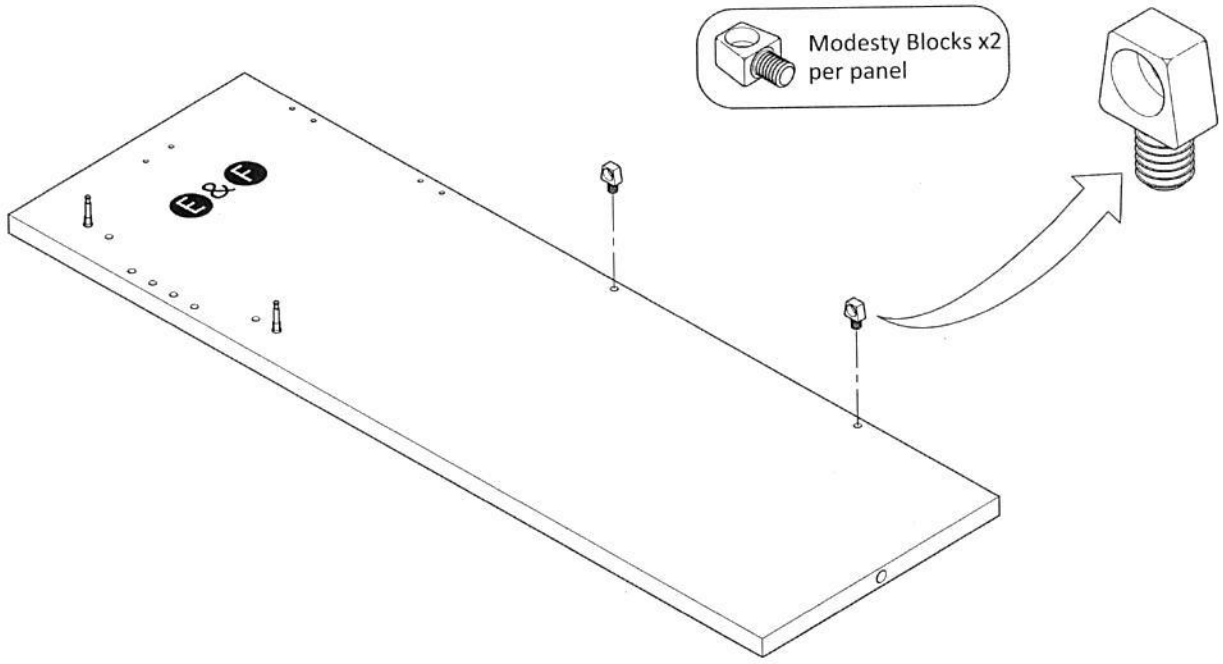
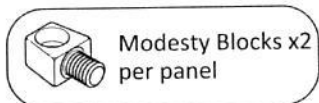
**2** Insert Wooden Dowels



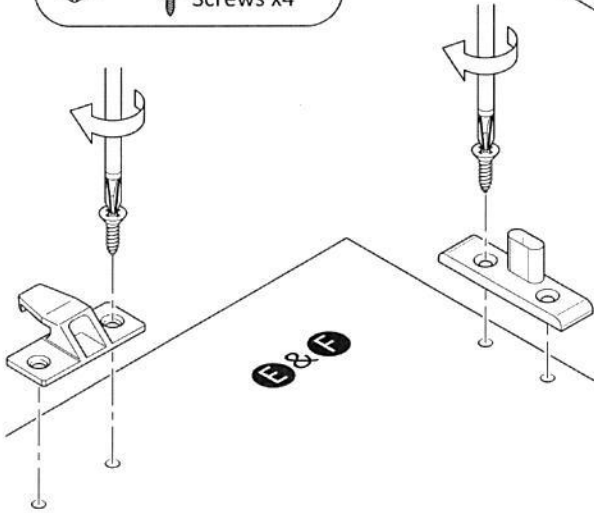
**3** Insert Cam Studs to both End Panels



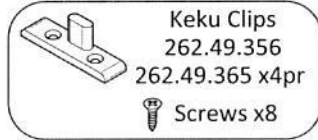
**4** Insert Modesty Blocks to both End Panels with screw recess facing Cam Studs



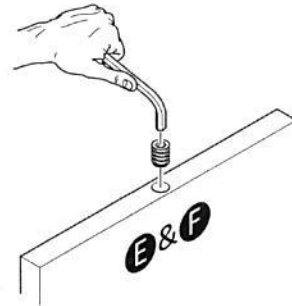
**5** Attach Keku Clips to Side Panels, hook pointing upwards



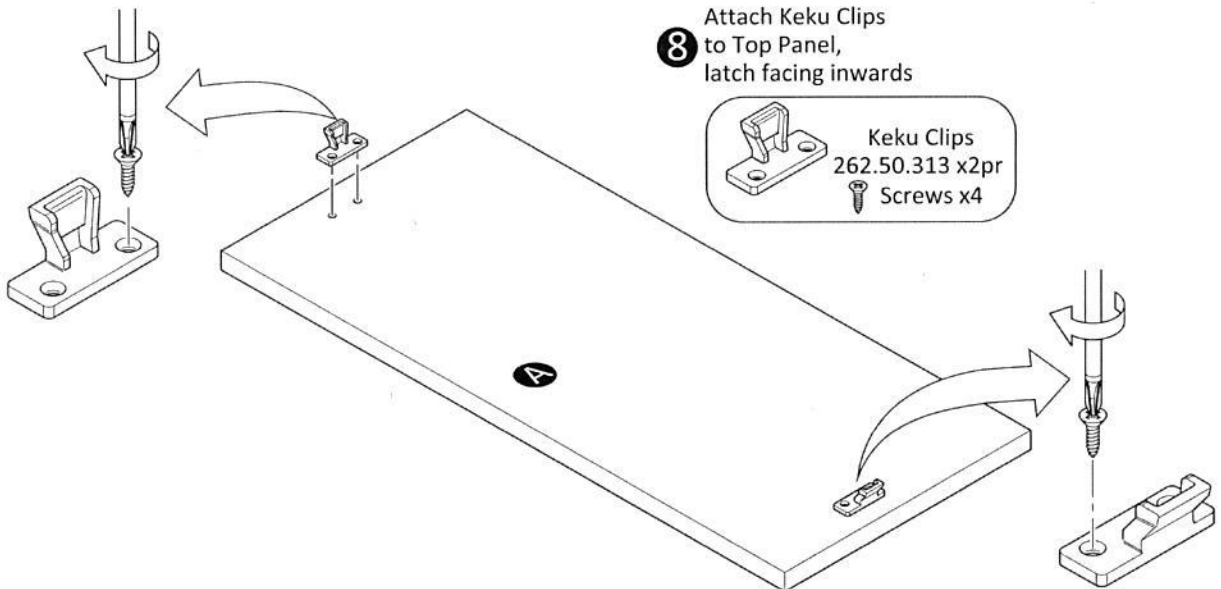
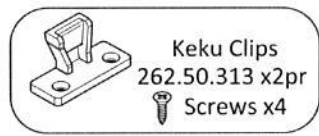
**6** Attach Keku Clips to Side Panels, bar to the outside

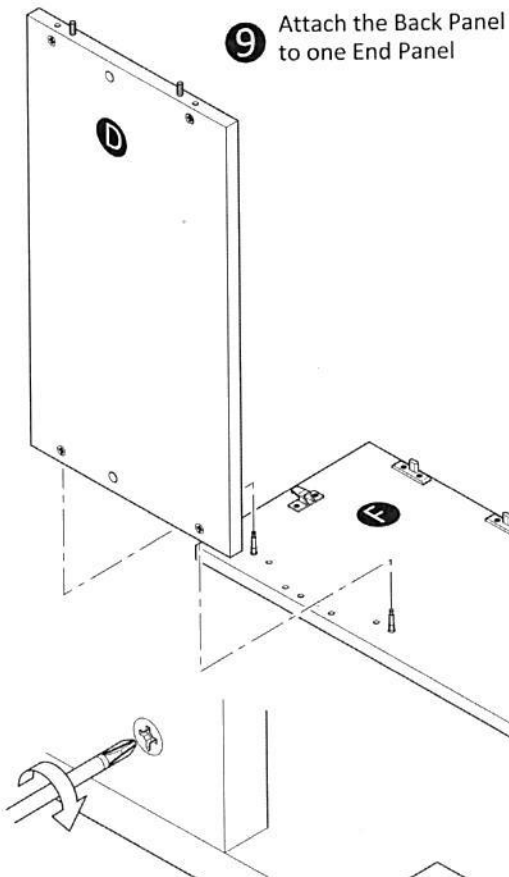


**7** Insert Height Adjuster Threaded Inserts in two End Panels



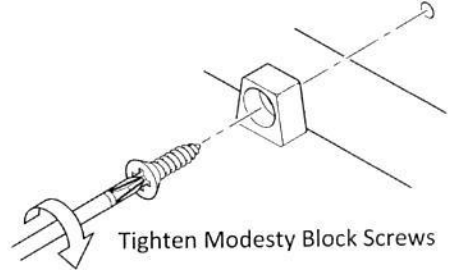
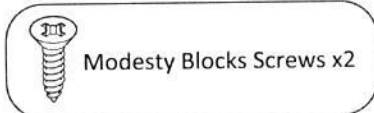
**8** Attach Keku Clips to Top Panel, latch facing inwards



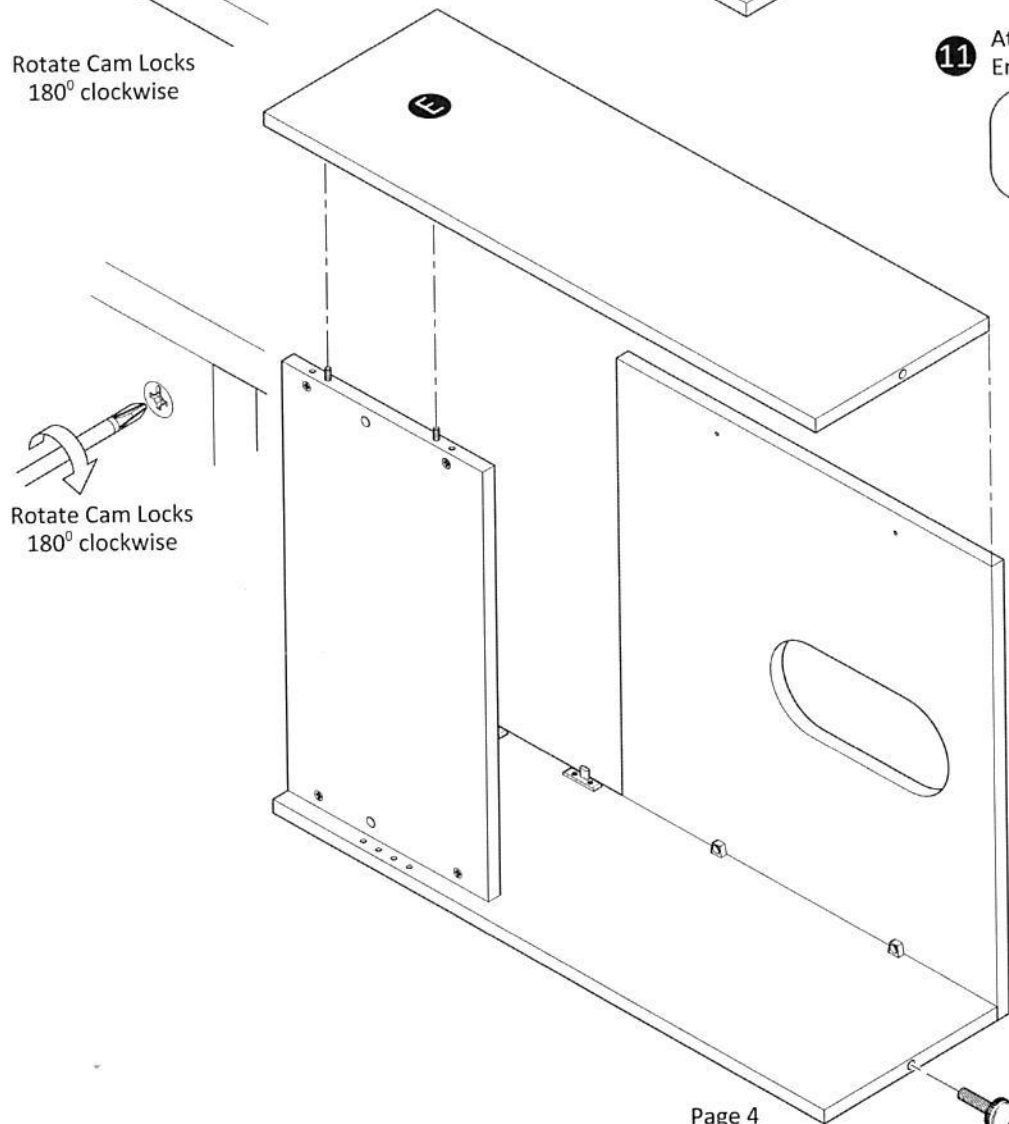


**9** Attach the Back Panel to one End Panel

**10** Attach the Front Panel to one End Panel



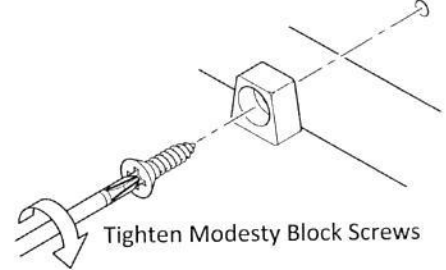
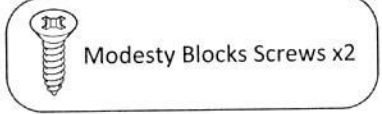
Tighten Modesty Block Screws



Rotate Cam Locks 180° clockwise

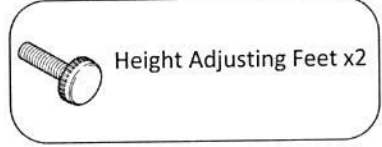
Rotate Cam Locks 180° clockwise

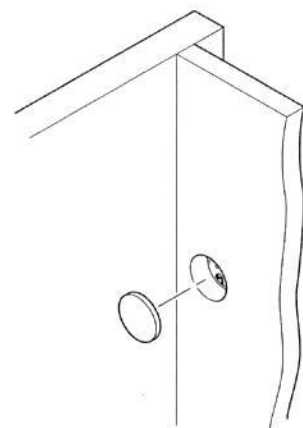
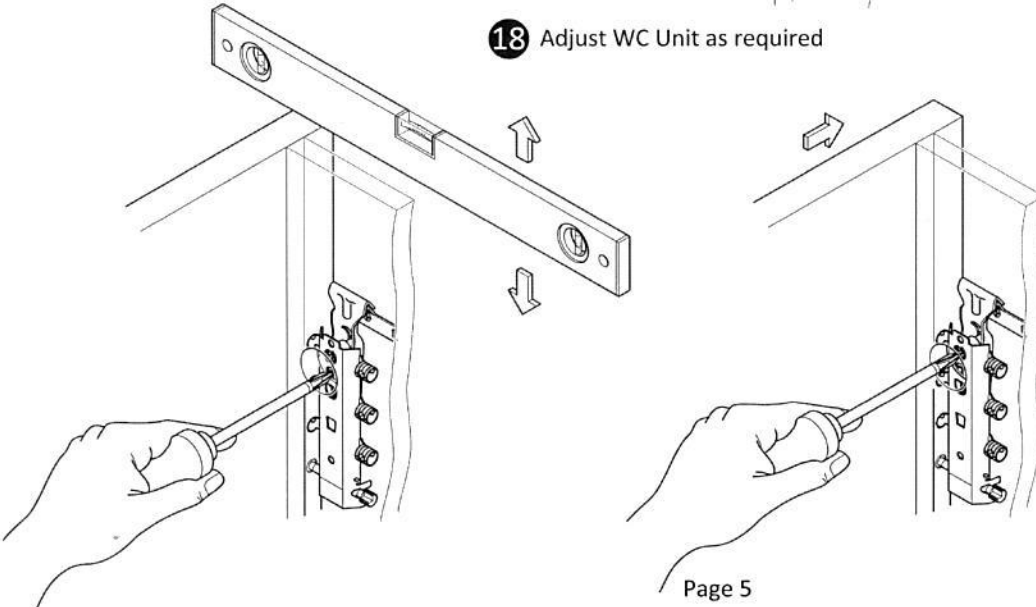
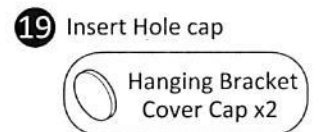
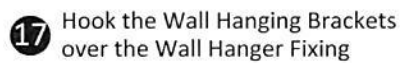
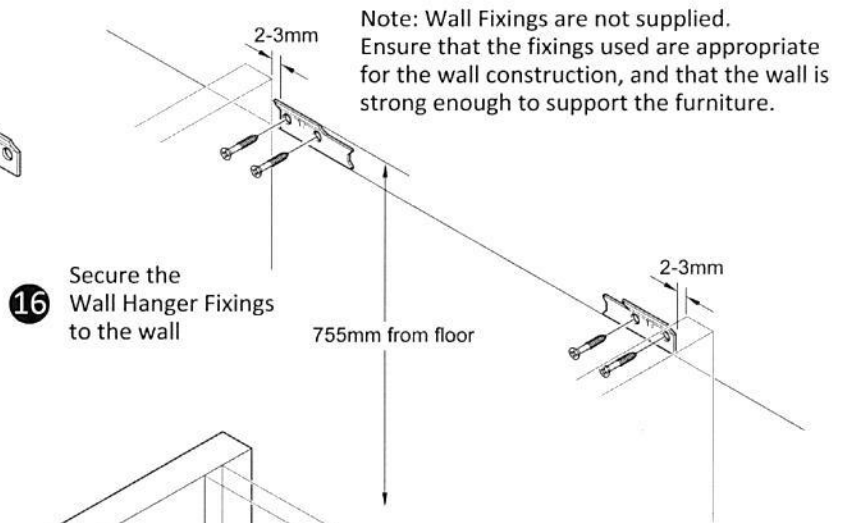
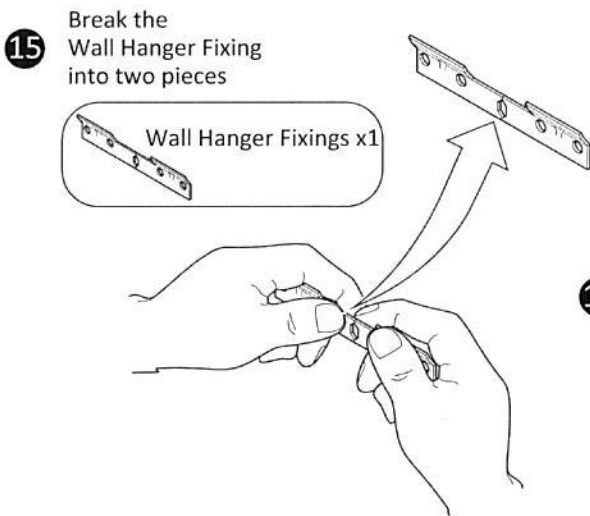
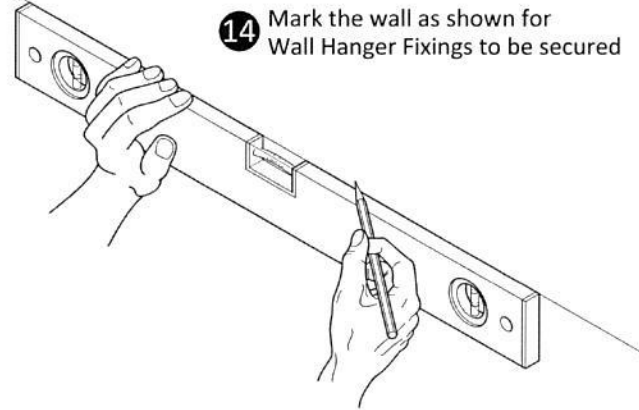
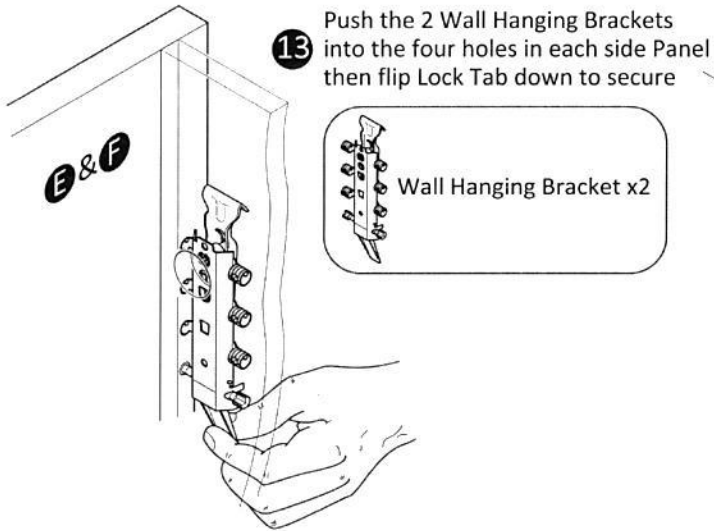
**11** Attach the remaining End Panel to the assembly

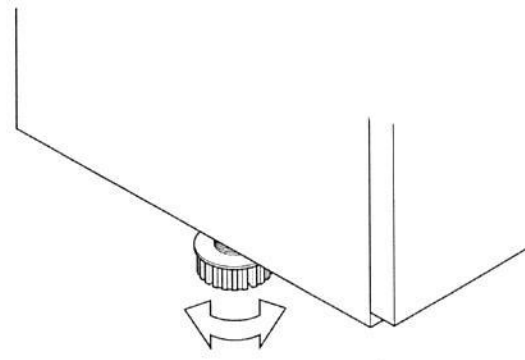


Tighten Modesty Block Screws

**12** Attach the Height Adjusting Feet to each End Panel



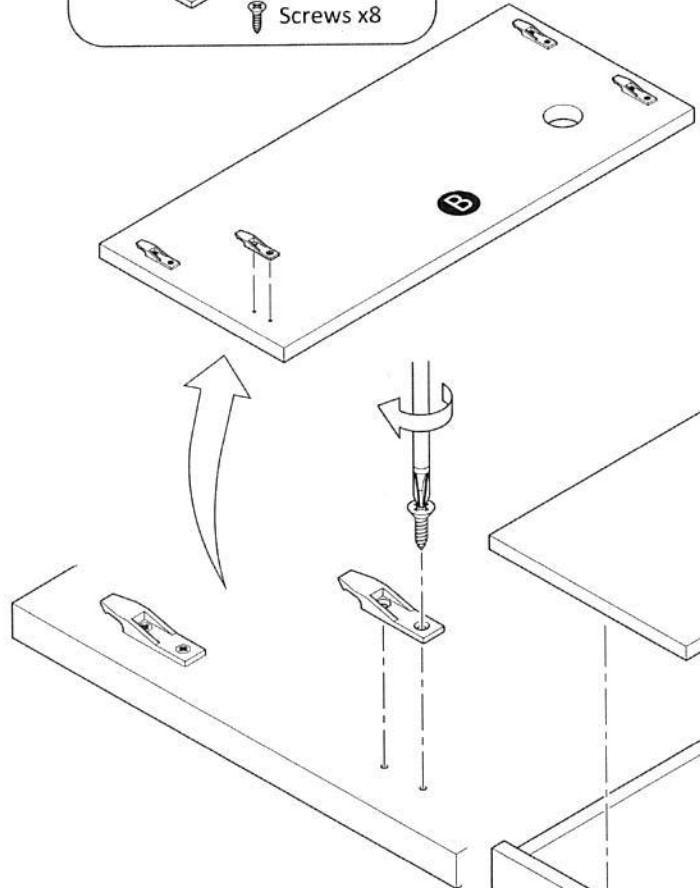




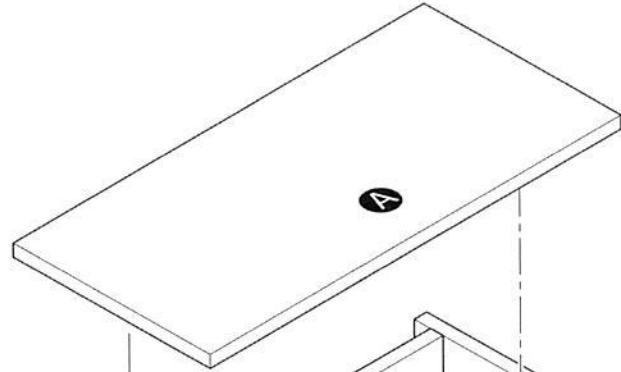
**20** Adjust both Feet until the unit is support on the floor

**21** Attach Keku Clips to Top Front Fixing Panel, Hooks pointing away from hole

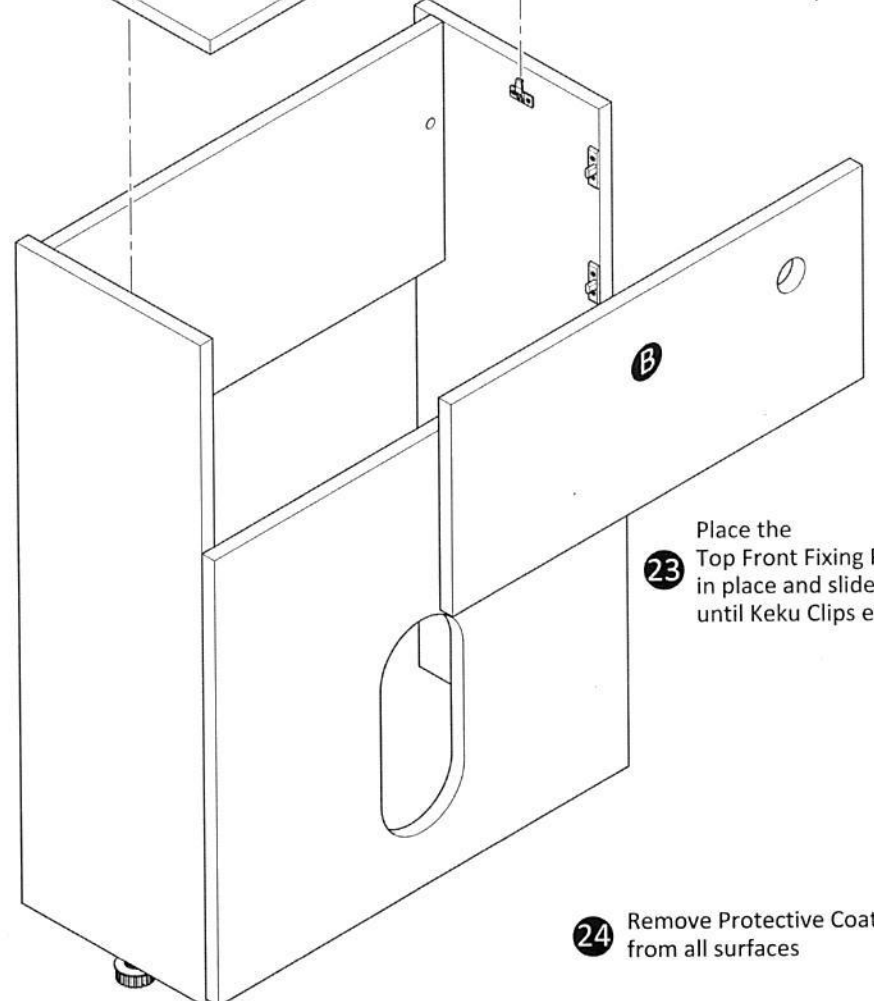
Keku Clips  
262.49.356  
262.49.365 x4pr  
Screws x8



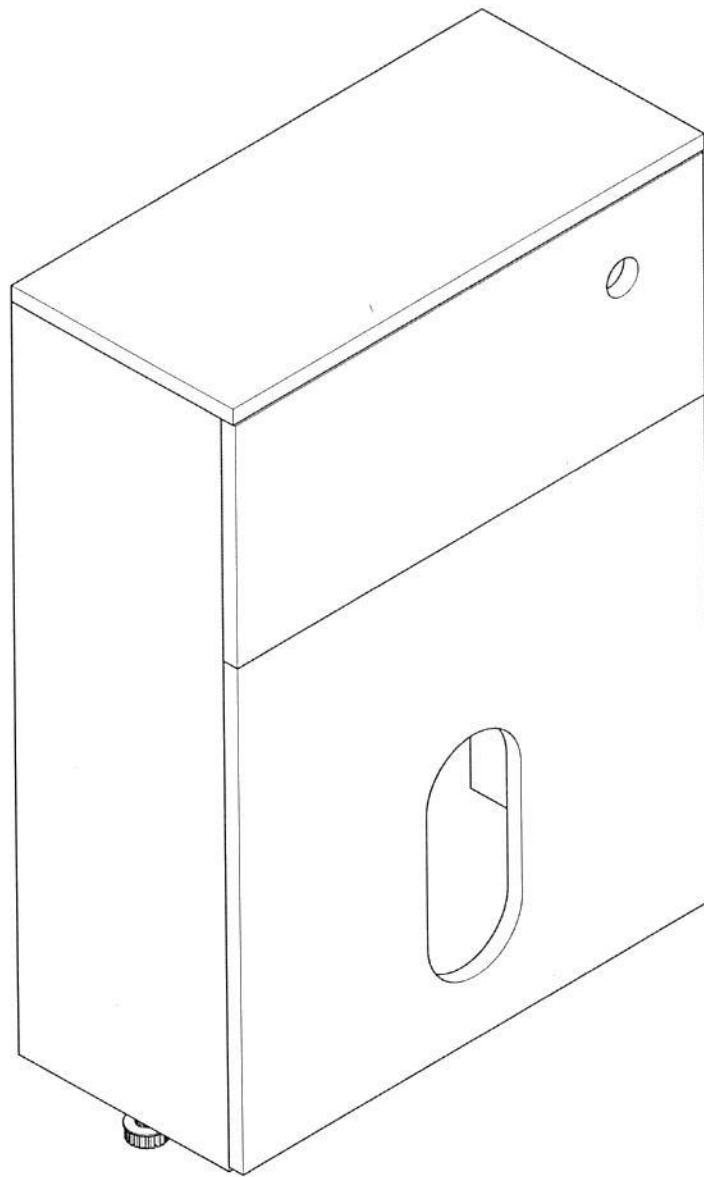
**22** Secure Top Panel by pushing down until Keku Clips click



**23** Place the Top Front Fixing Panel in place and slide down until Keku Clips engage



**24** Remove Protective Coating from all surfaces



#### **Care and Maintenance**

##### **Please Leave with the householder**

This furniture is made of wood, and has a water resistant finish. It should not be left wet. The quality of the finish is best maintained if it is wiped with a dry cloth after use. It should only be cleaned using a soft damp cloth followed by a dry cloth. Do not use bleach or any abrasive cleaner.