

INSTALLATION INSTRUCTIONS

For any further information please contact
Bathstore on: **0845 873 8843**

Or visit our web-site at www.bathstore.com

The manufacturer reserves the right to make technical
modifications without prior notice.

INTRODUCTION

Please read these instructions carefully and keep in a safe place for future reference.

General Installation Requirements

The installation must comply with regulations of the Local Water Authority as contained in their bylaws. All of the taps in this range are single flow (the hot and cold water mix in the body) and should therefore be supplied with hot and cold water at balanced pressures, both from the tank or both from the mains (via a combination boiler for example). If the taps are not supplied at balanced pressures then the mixer will not function correctly. It will also be necessary to fit non-return valves on both hot and cold feeds. It is very important that all pipe work is flushed thoroughly after installation to avoid damaging the ceramic discs.

Minimum/Maximum working pressure

These taps are suitable for high and low pressure installations. They are fitted with a quarter turn ceramic disc cartridge which provides a good flow rate with very smooth movement. To ensure that the bath shower mixer works adequately under low pressure, the cold water storage tank should be at least 2 metres above the highest installed position. The maximum water pressure is 6 bar (note: mains cold water is normally supplied at between 2 and 3 bar). For installations where the mains pressure exceeds 6 bar a pressure reducing valve should be fitted.

Approvals

All products are manufactured using materials tested and approved under the Water Bylaws Scheme and comply with requirements of British Standard 5412: 1996 where applicable.

Preparation and bylaw requirements

These taps are single flow so the hot and cold water mix in the body. Water bylaws require that where the hot water is supplied from a tank and cold from the mains, non return valves are fitted on both hot and cold pipes as close as possible to the tap. These are not supplied. Where combination boilers are fitted it is only necessary to shut off the incoming mains and turn the boiler off and non return valves are not required.

WARNING

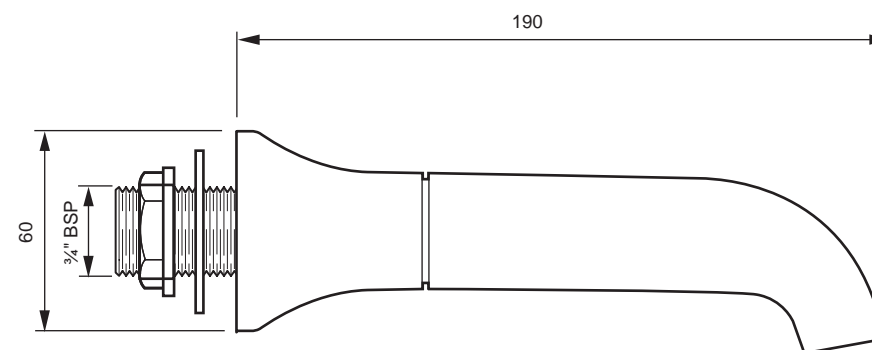
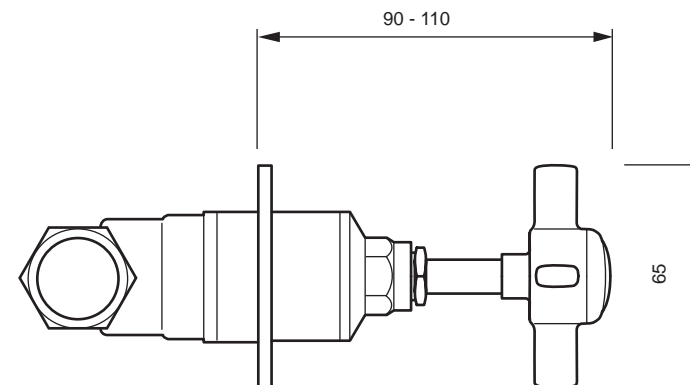
Before installing the new mixer it is essential that you thoroughly flush through the supply pipes in order to remove any remaining swarf, solder or other impurities.

Failure to carry out this simple procedure could cause problems or damage to the workings of the mixer.

These hints have been prepared for your guidance, you must exercise due care at all times.

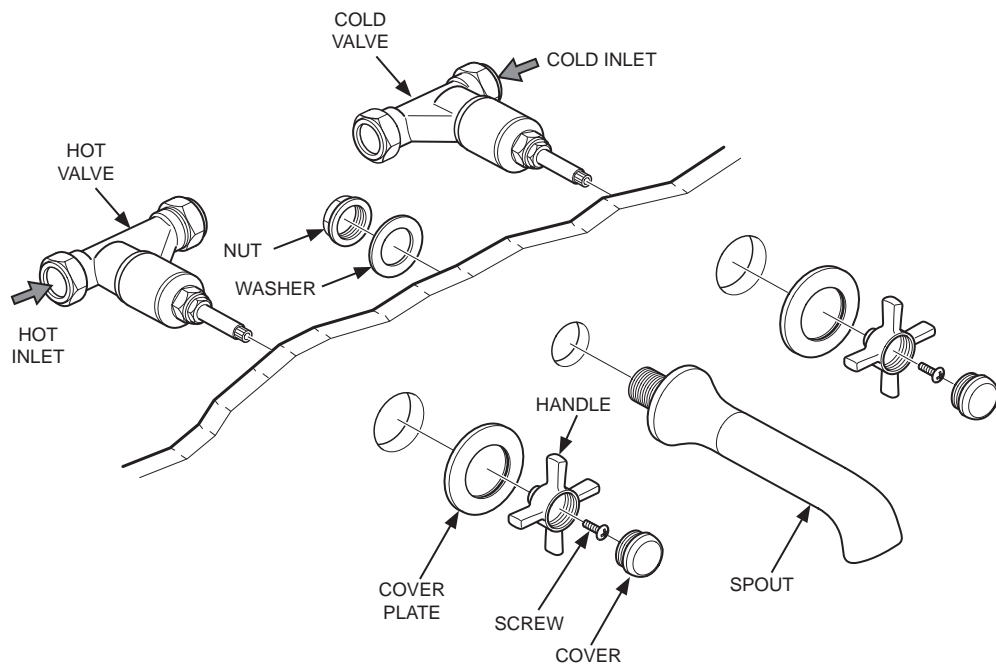
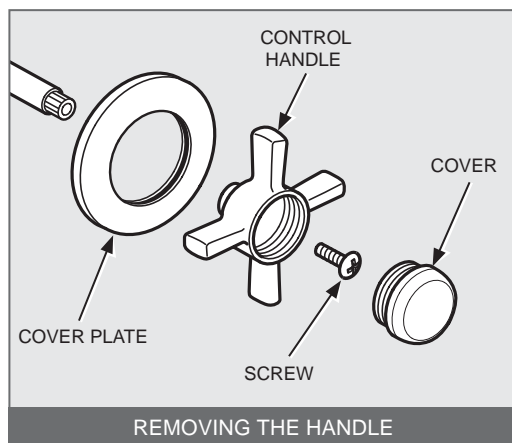
We do not accept responsibility for any problems that may occur through incorrect installation.

DIMENSIONS



NOTE: ALL DIMENSIONS IN MILLIMETRES



INSTALLATION



INSTALLATION

First shut off your water heating system then, with your mains stop cock closed, open the lowest hot and cold taps in the house and allow to run until the cold storage tank and pipes are empty (the hot water storage cylinder always remains full). Where combination boilers are fitted it is only necessary to turn off the boiler and shut off the incoming mains. Fitting isolating valves to the inlet feeds is recommended for ease of maintenance.

INSTALLATION

-  **Remember to turn off the mains water supply before connecting to any existing pipe work.**
-  **Warning! Please check for any hidden pipes and cables before drilling holes in the wall.**

Removing the handle - Unscrew the cover from the handle, loosen and remove the screw, pull the handle of the splines followed by the cover plate. (see detail).

Drill at the required location 2 holes at 40mm dia for the valves and 1 hole at 28mm dia for the spout.

Insert the spout into the hole from the front and secure in position with the washer and nut.

Insert the 2 valves into the 40mm holes from the rear making sure that the arrow on the body of the valve is pointing towards the spout. Connect each valve to the spout and then to the supply pipes with hot on the left and cold on the right.

NOTE - The valves do not have any means of fixing to the wall and must be supported on rigid pipe work.

Slide each cover plate over the valve, push the handle carefully onto the splines of the valve and secure with the screw, finally screw on the cover.

ATTENTION

Having first checked all new connections, turn on the mains stop cock, close all taps except the new valves and as the system starts to refill check for leaks.

Once you have satisfied yourself that there are no leaks, switch on the water heating.

CLEANING

The chrome and gold plate we use on our valves is very durable, nevertheless care should be taken when cleaning them. They should be cleaned only with warm soapy water followed by rinsing with clean water and drying with a soft cloth. All finishes are vulnerable to acid attack and some strong substances such as household cleaners, disinfectants, denture cleaners, hair dyes, wine making and photographic chemicals can cause the surface to go black or peel.

