

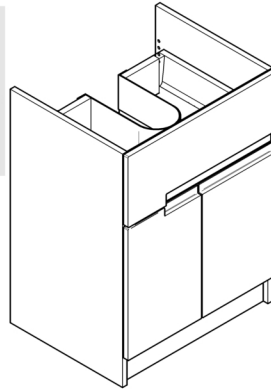
Vermont Floor Standing Vanity (1 Drawer 2 Door)

IMPORTANT NOTE

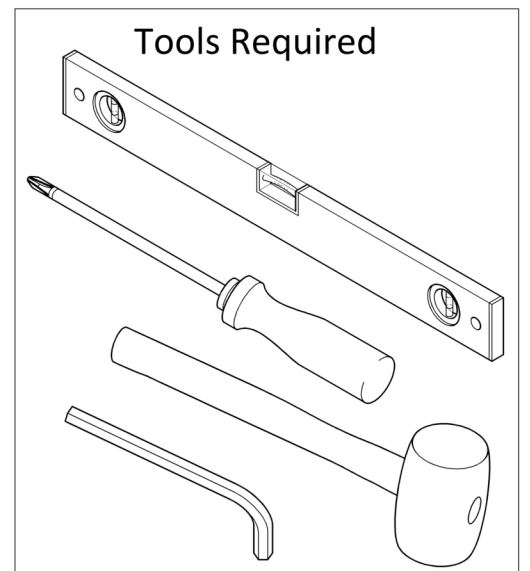
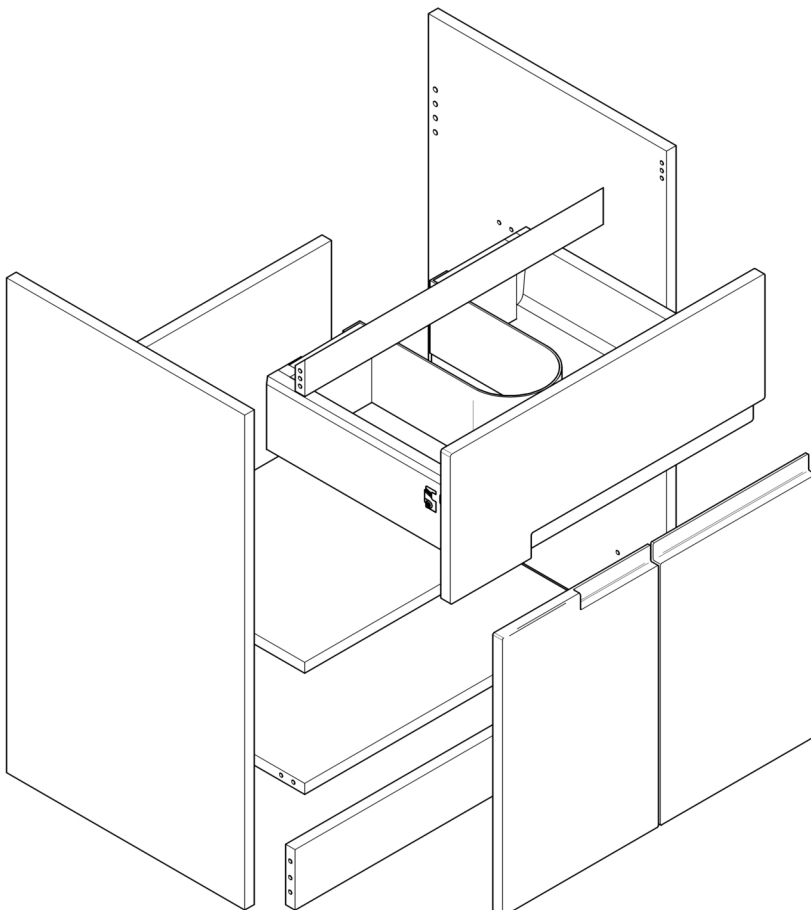
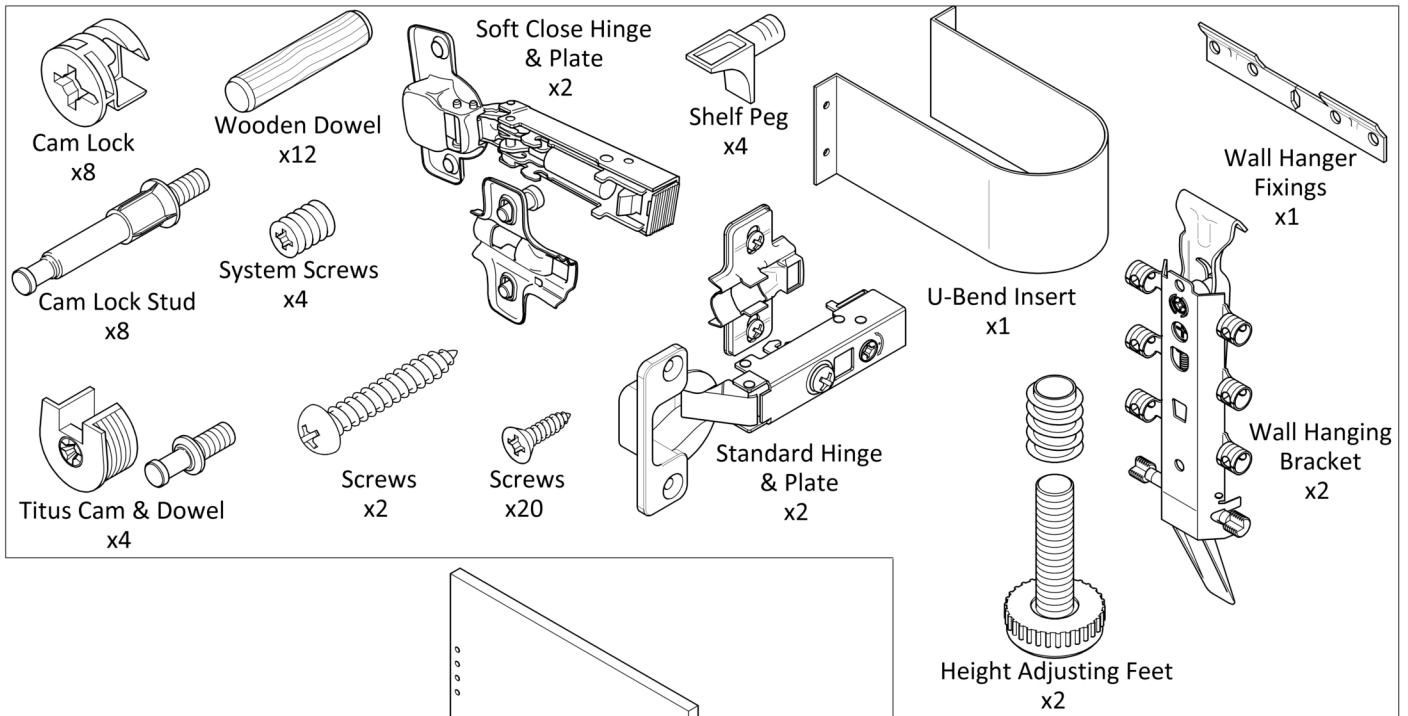
Check all product contents and read instructions before starting installation.

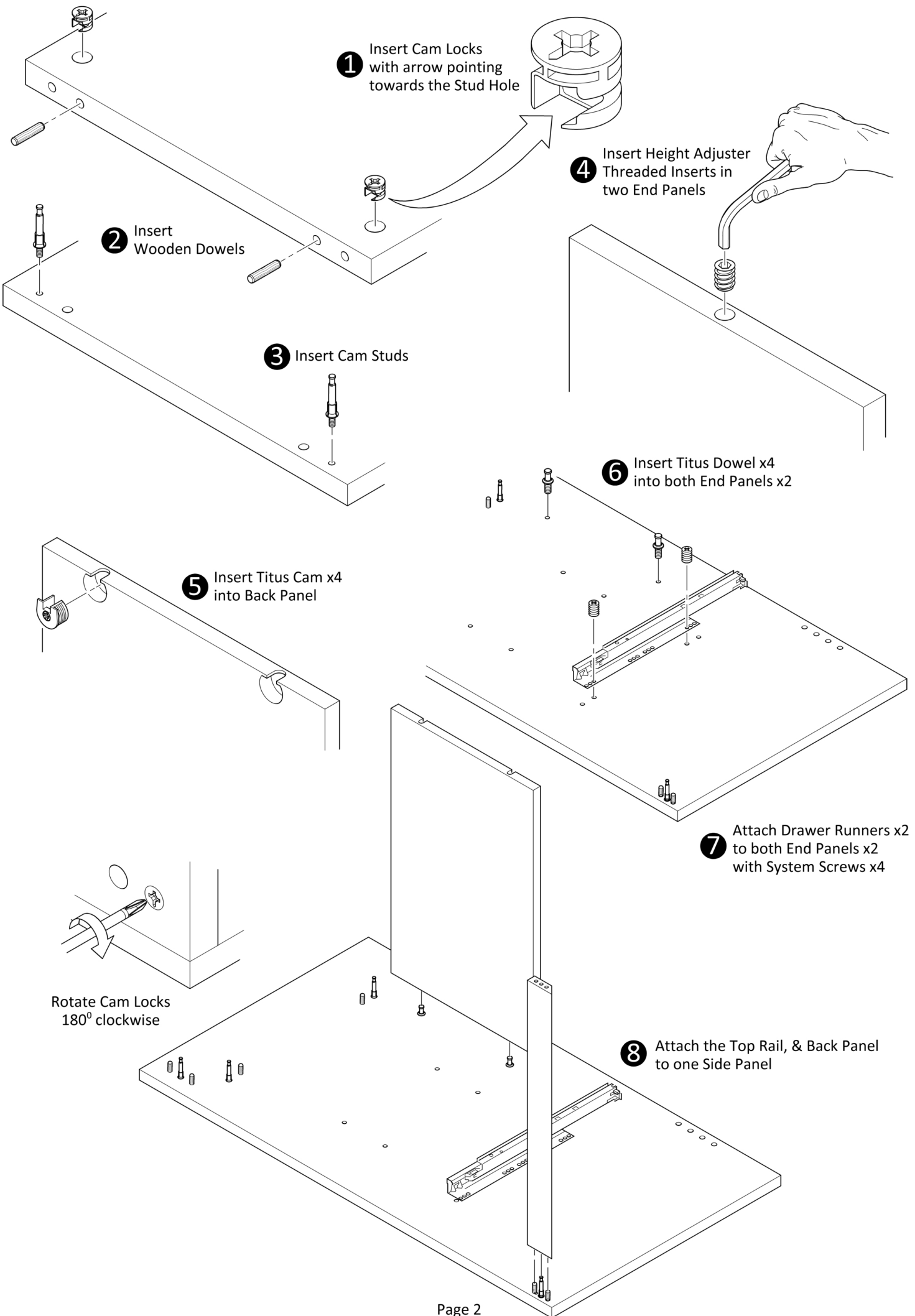
SAFETY WARNINGS

Handle product with care
Keep all small parts away from children
If product is above 20kg (see packaging)
it requires 2 people to carry & install it



Vermont Floor Standing Vanity
(1 Drawer 2 Door)





1 Insert Cam Locks with arrow pointing towards the Stud Hole

2 Insert Wooden Dowels

3 Insert Cam Studs

4 Insert Height Adjuster Threaded Inserts in two End Panels

5 Insert Titus Cam x4 into Back Panel

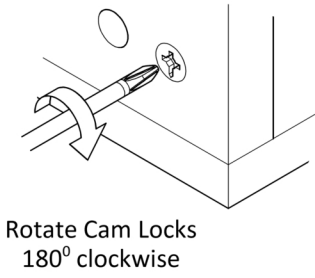
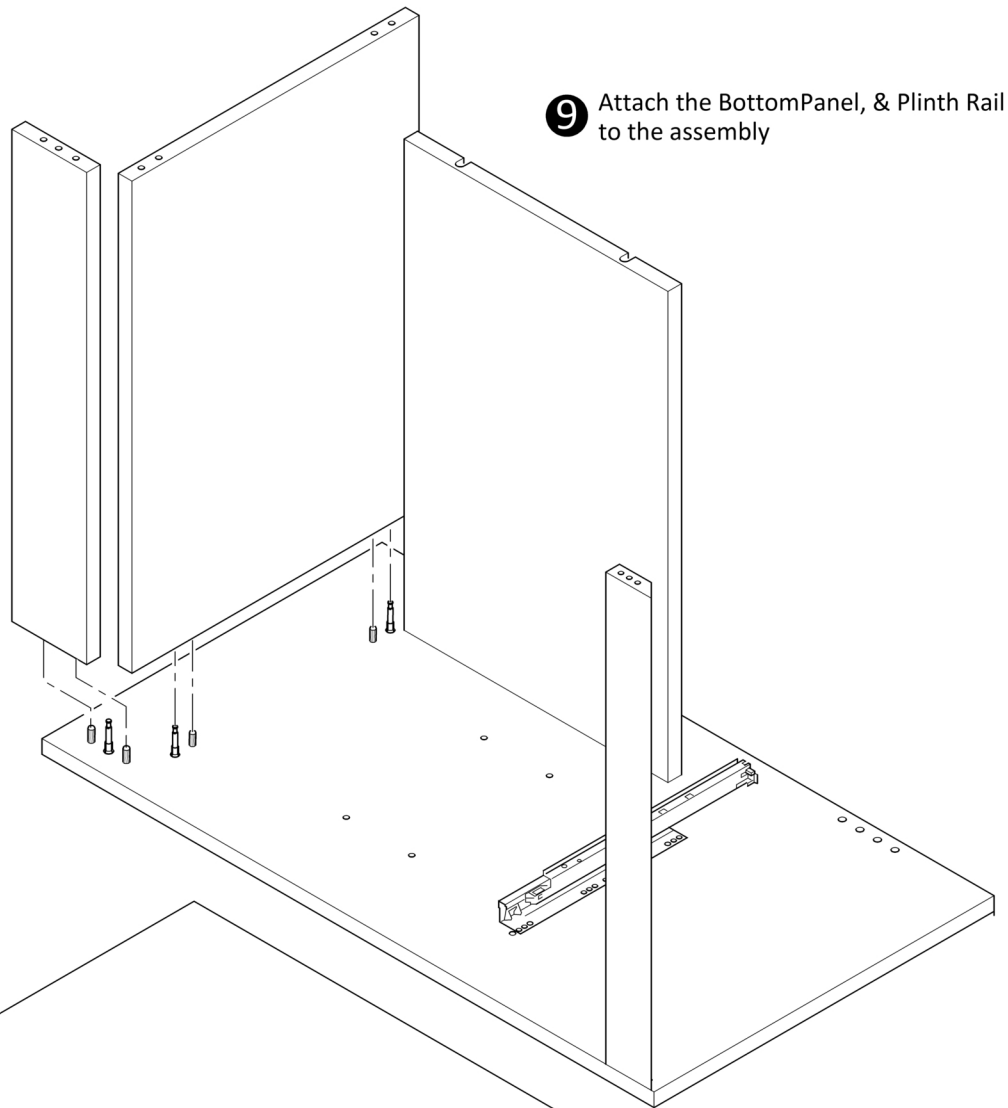
6 Insert Titus Dowel x4 into both End Panels x2

7 Attach Drawer Runners x2 to both End Panels x2 with System Screws x4

8 Attach the Top Rail, & Back Panel to one Side Panel

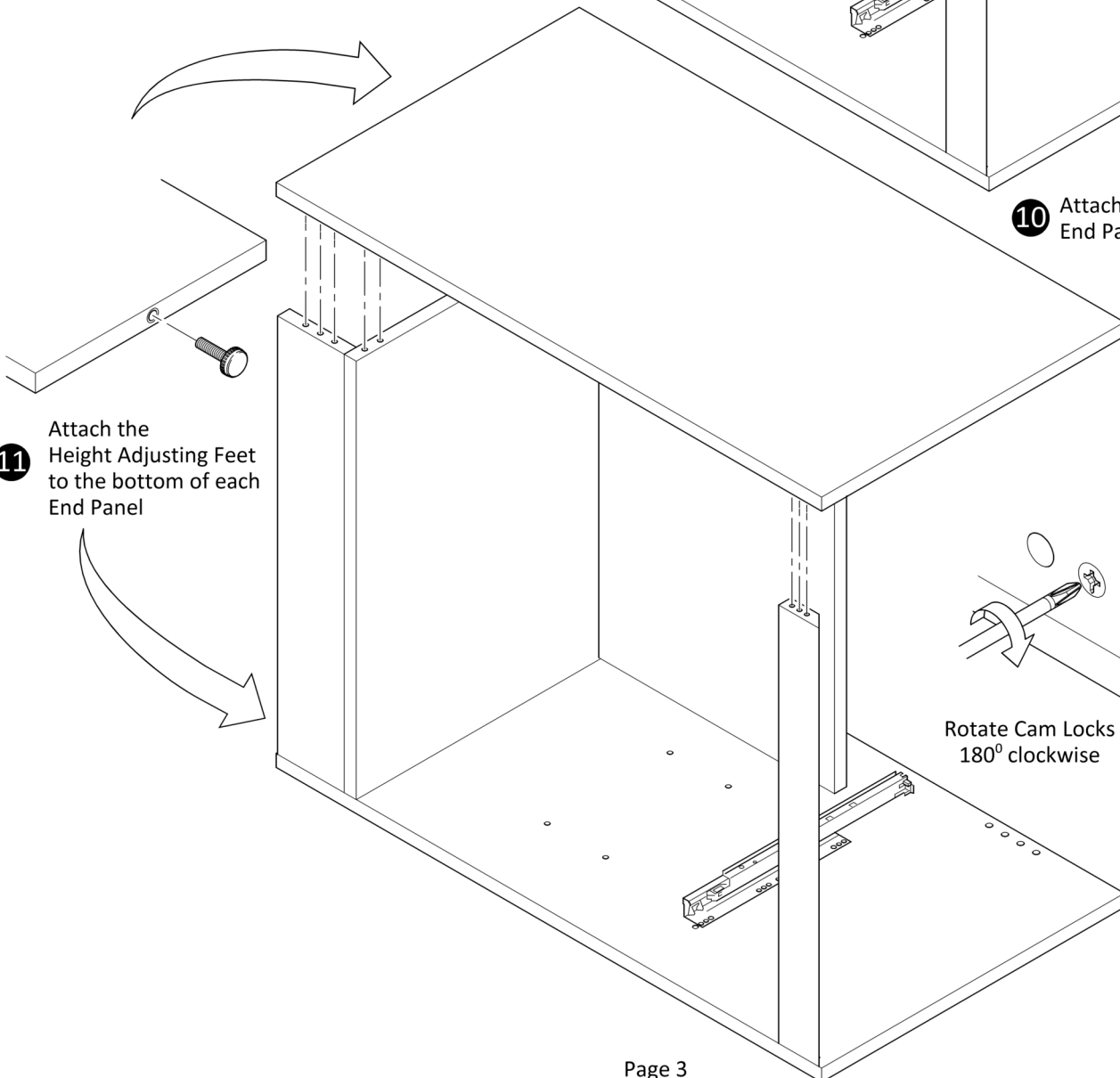
Rotate Cam Locks 180° clockwise

9 Attach the Bottom Panel, & Plinth Rail to the assembly



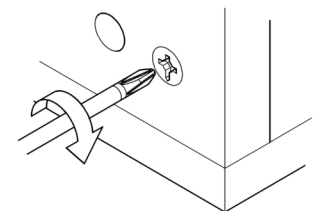
Rotate Cam Locks
180° clockwise

10 Attach the remaining End Panel to the assembly



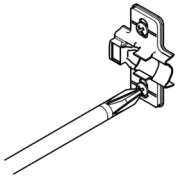
11

Attach the Height Adjusting Feet to the bottom of each End Panel

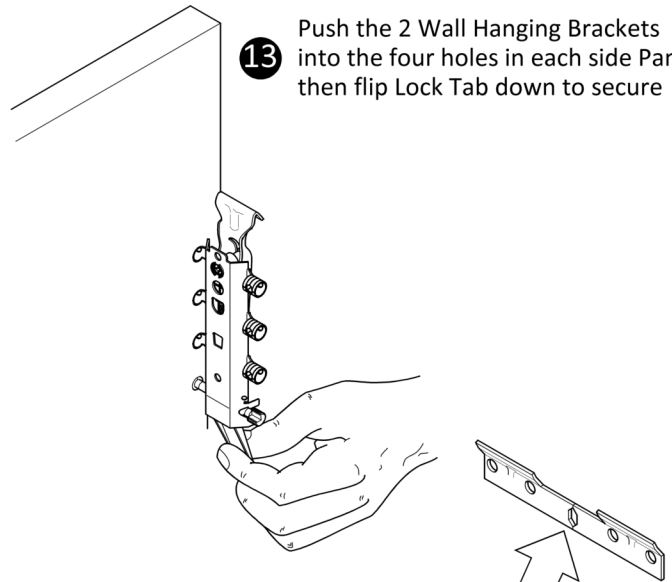


Rotate Cam Locks
180° clockwise

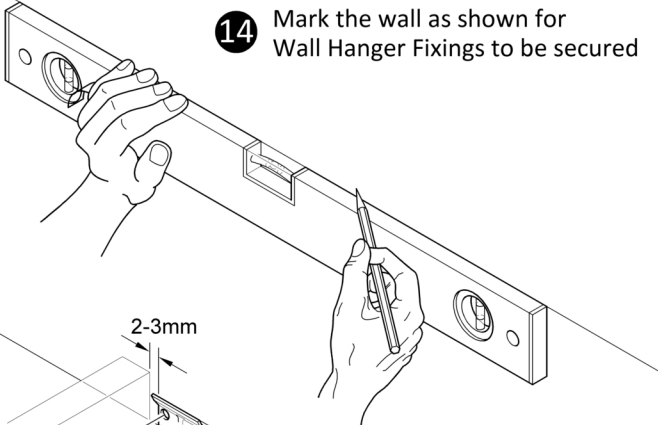
12 Secure the Hinge Hangers x4 to the two End Panels



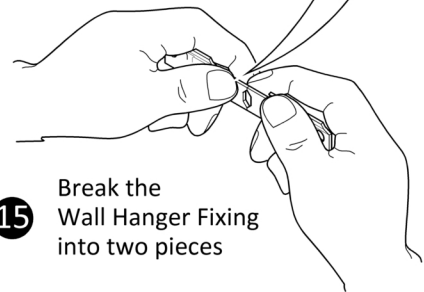
13 Push the 2 Wall Hanging Brackets into the four holes in each side Panel then flip Lock Tab down to secure



14 Mark the wall as shown for Wall Hanger Fixings to be secured

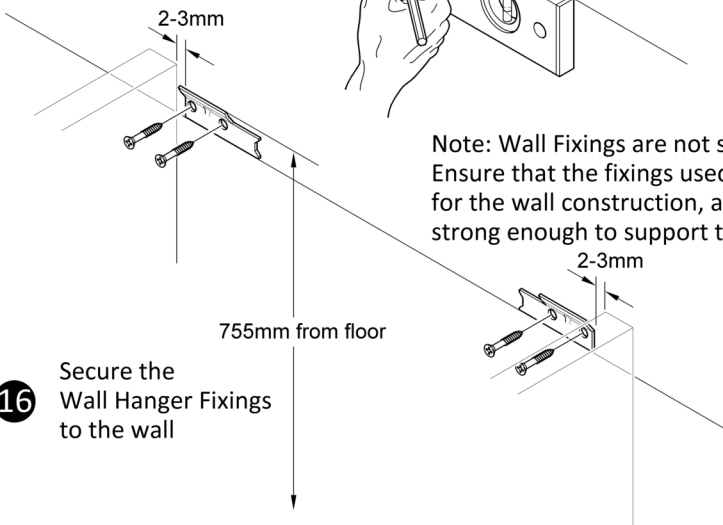


15 Break the Wall Hanger Fixing into two pieces

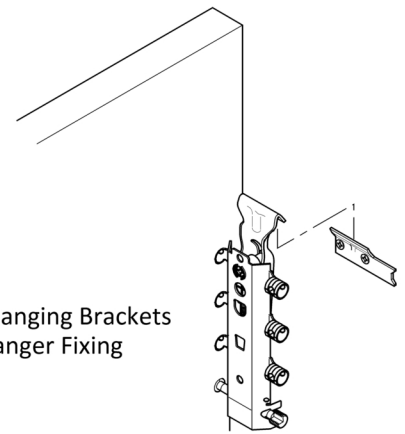


Note: Wall Fixings are not supplied. Ensure that the fixings used are appropriate for the wall construction, and that the wall is strong enough to support the furniture.

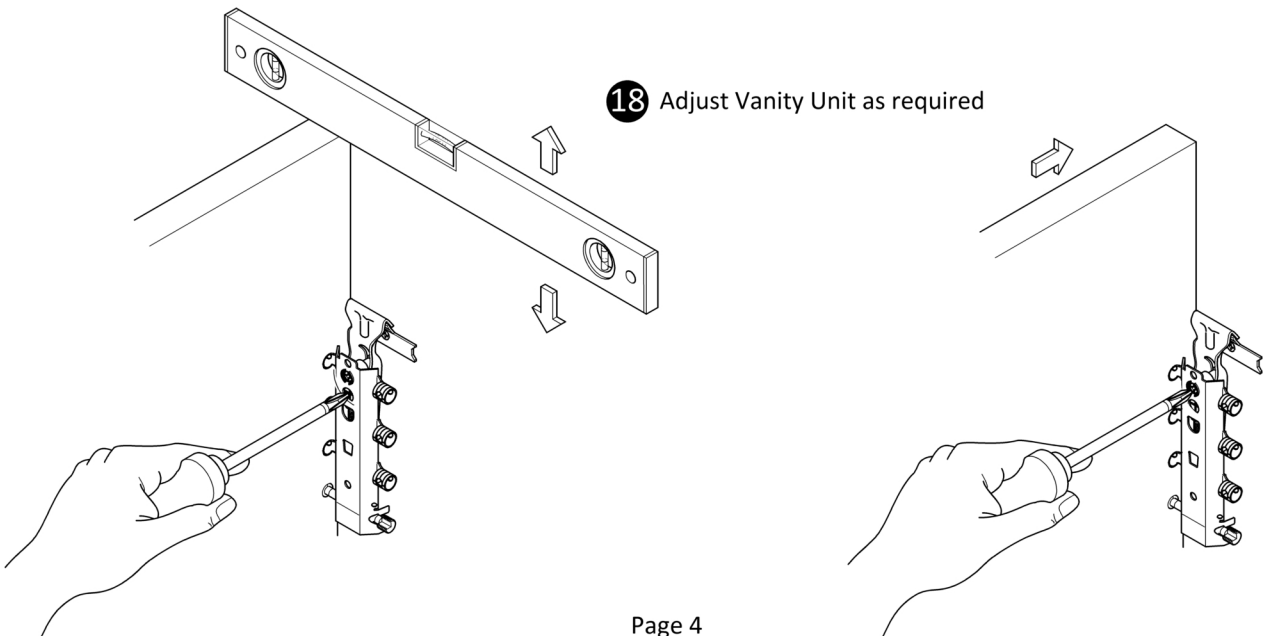
16 Secure the Wall Hanger Fixings to the wall

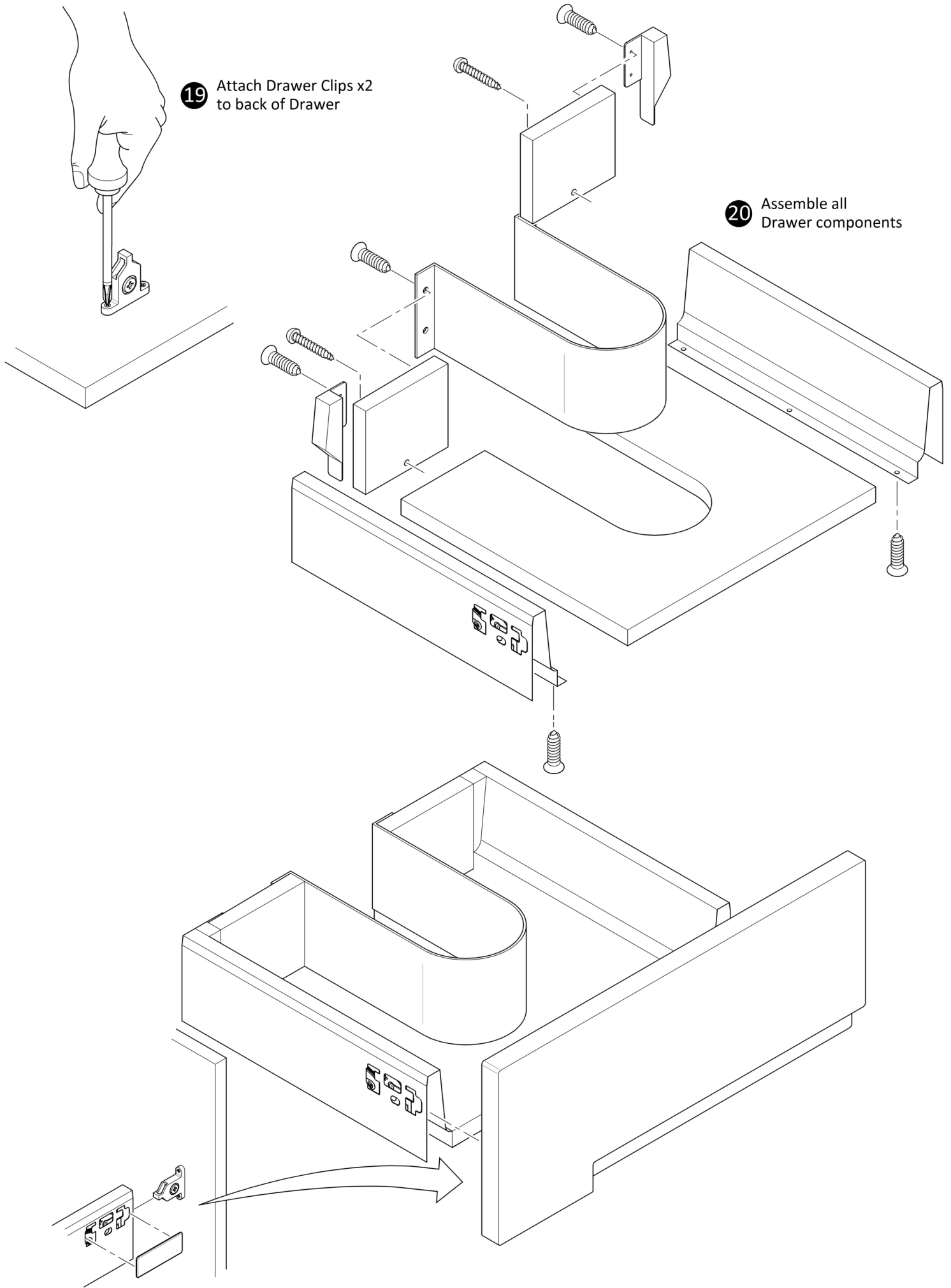


17 Hook the Wall Hanging Brackets over the Wall Hanger Fixing



18 Adjust Vanity Unit as required

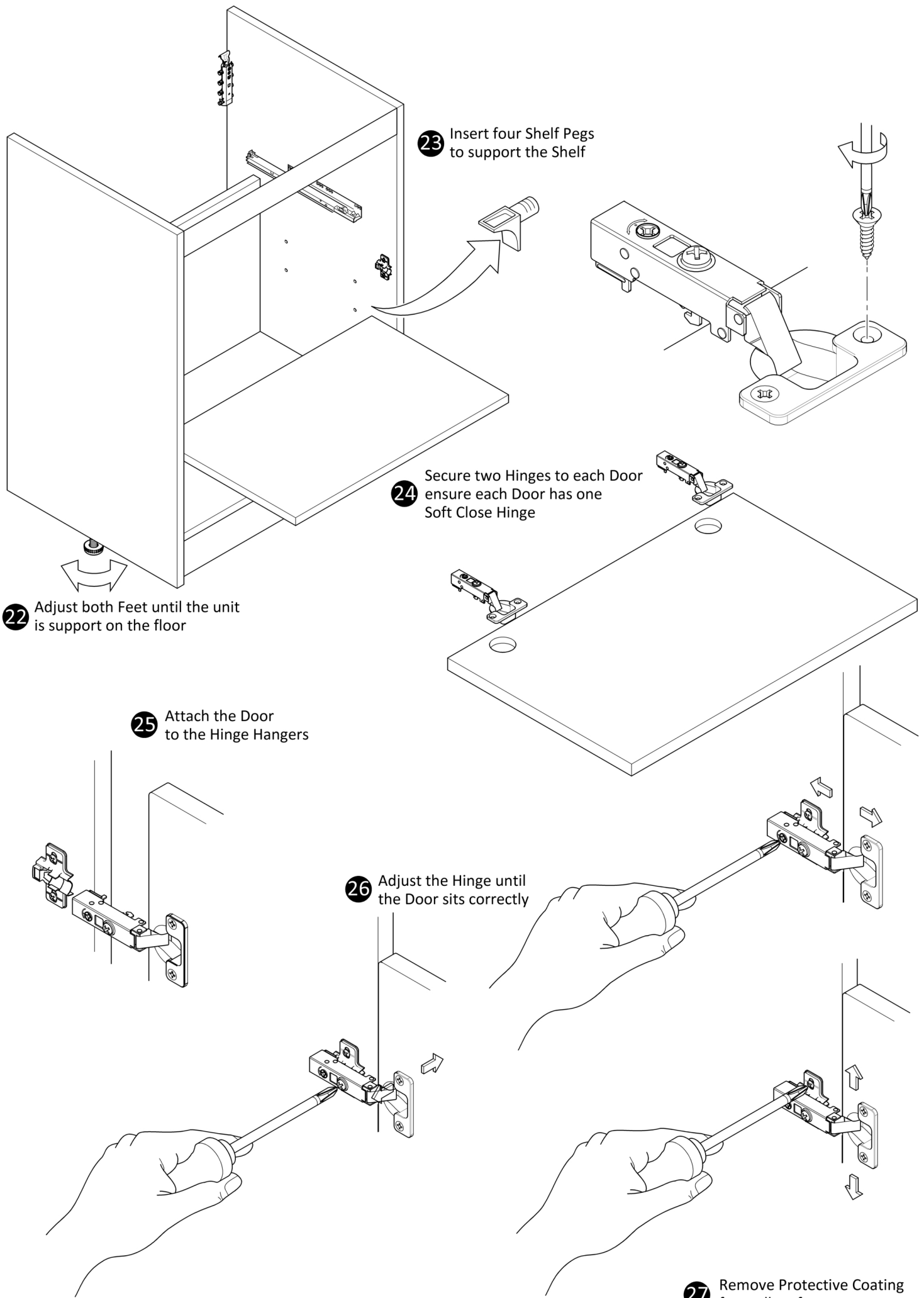




19 Attach Drawer Clips x2 to back of Drawer

20 Assemble all Drawer components

21 When Drawer is assembled push Plastic Cover x2 into position



22 Adjust both Feet until the unit is support on the floor

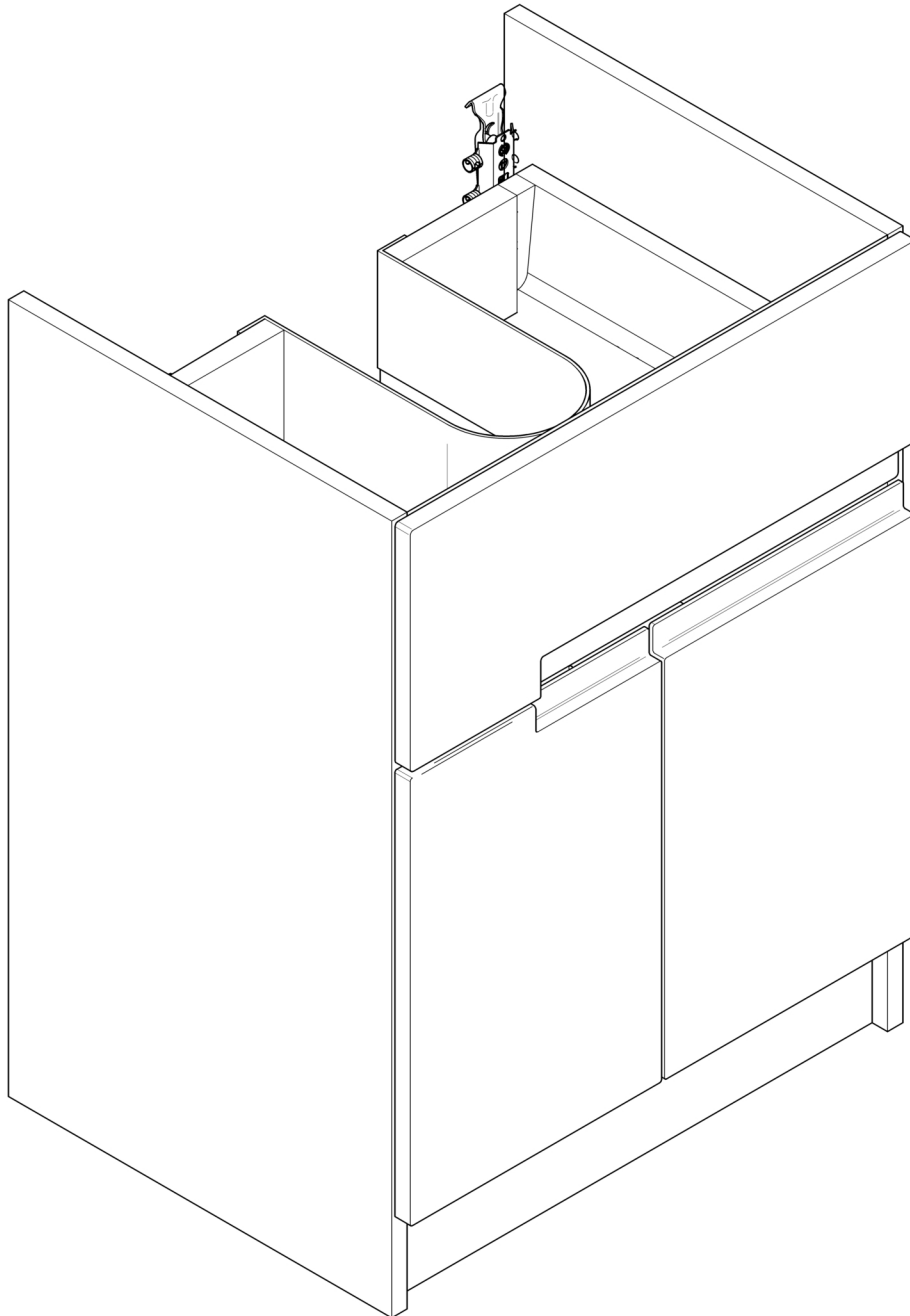
23 Insert four Shelf Pegs to support the Shelf

24 Secure two Hinges to each Door ensure each Door has one Soft Close Hinge

25 Attach the Door to the Hinge Hangers

26 Adjust the Hinge until the Door sits correctly

27 Remove Protective Coating from all surfaces



Care and Maintenance

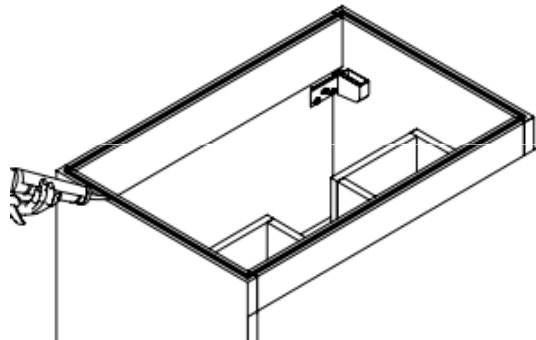
Please Leave with the householder

This furniture is made of wood, and has a water resistant finish. It should not be left wet. The quality of the finish is best maintained if it is wiped with a dry cloth after use. It should only be cleaned using a soft damp cloth followed by a dry cloth. Do not use bleach or any abrasive cleaner.

Polymarble Basins

Installation:

When installing on furniture apply a bead of silicone around the top of the furniture to hold the basin in position and to prevent water collecting between the basin and the cabinet. If water is allowed to collect between the basin and the cabinet it can cause damage to the furniture panels.



Care and maintenance:

To clean your polymarble basin only use a mild detergent. Do not use abrasive cleaners or chemicals as these can damage the surface.