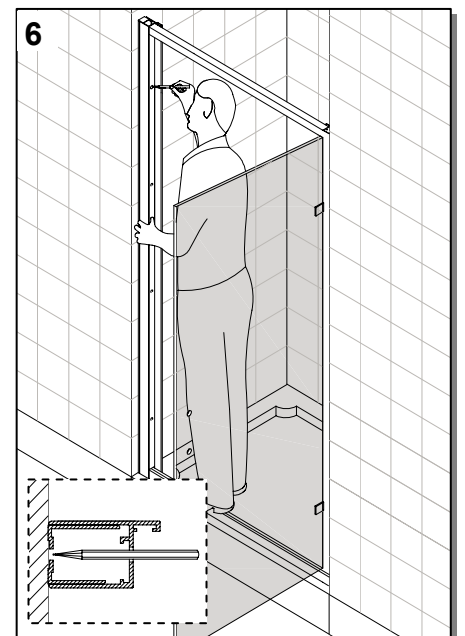
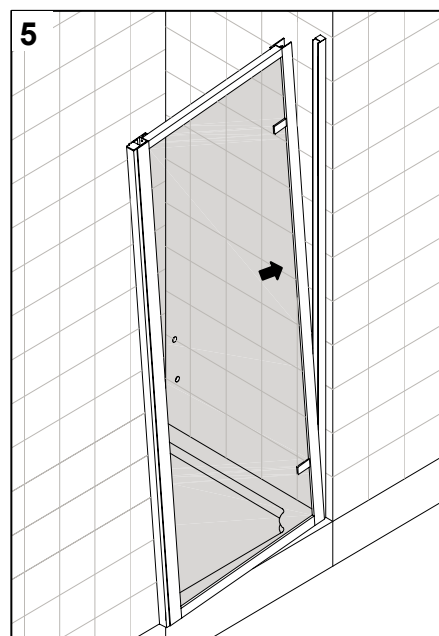
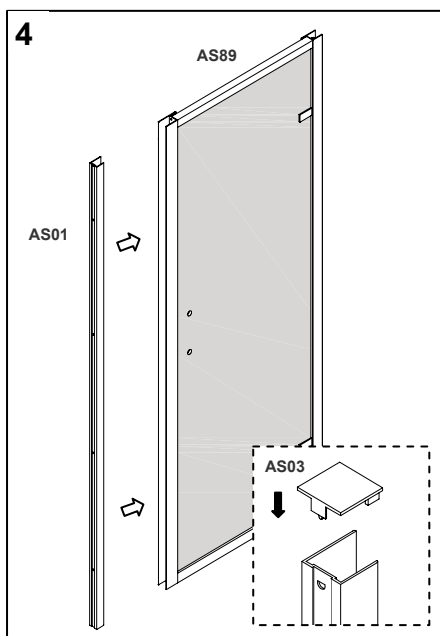
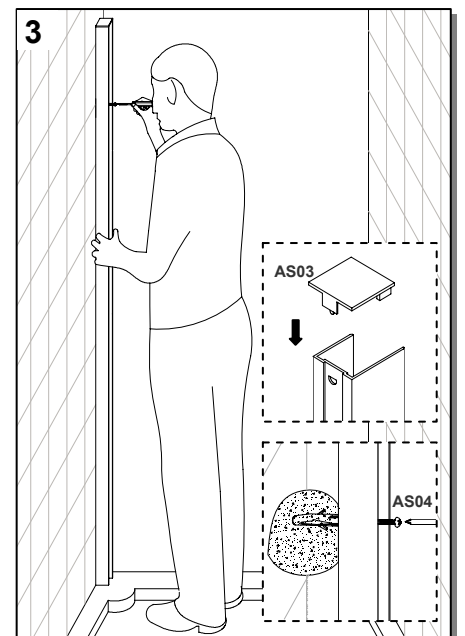
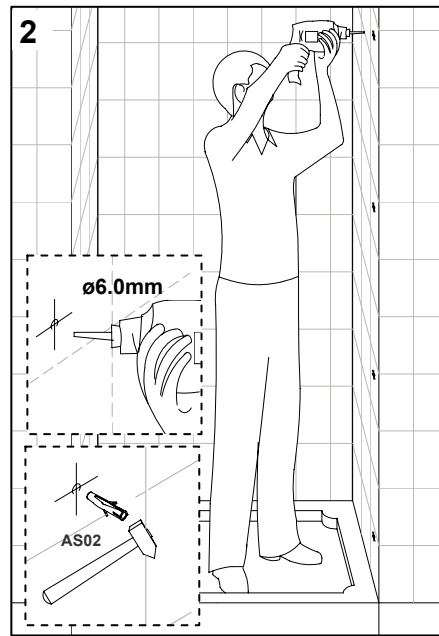
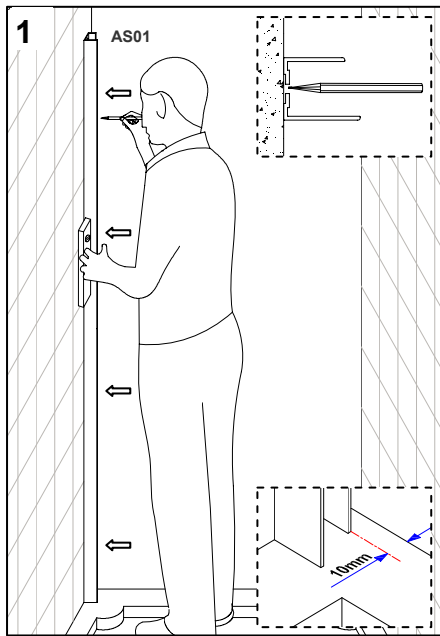
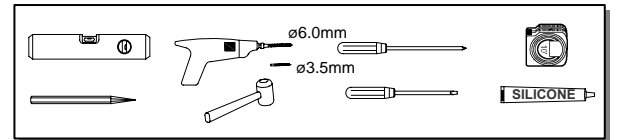
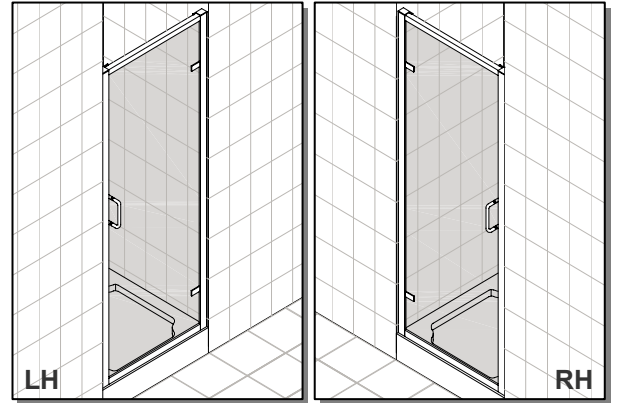
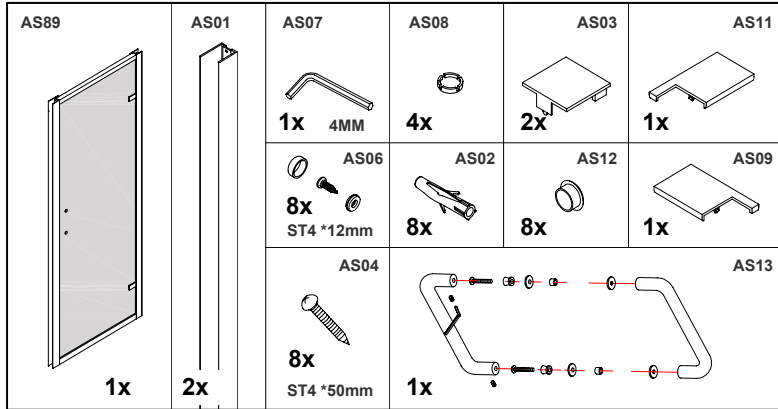
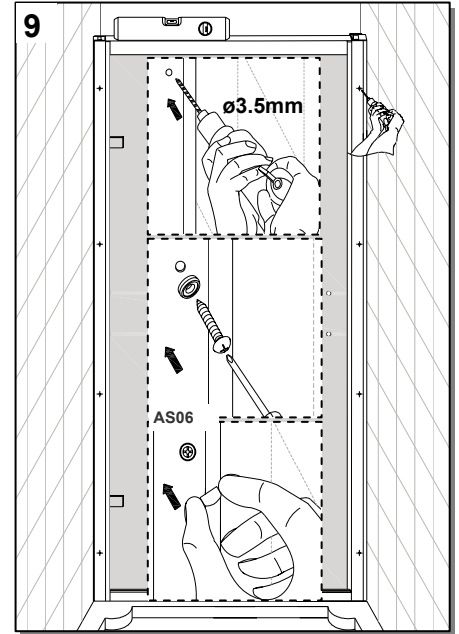
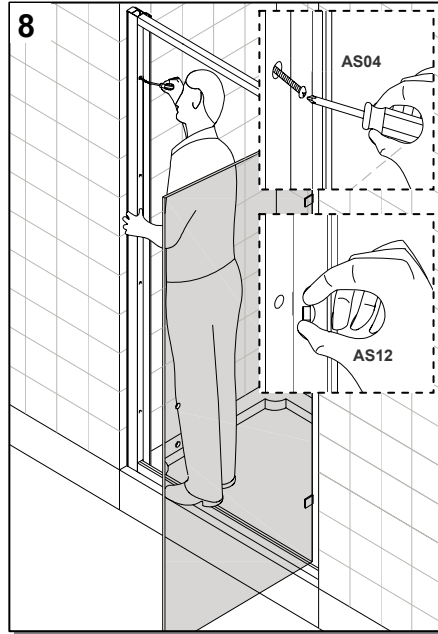
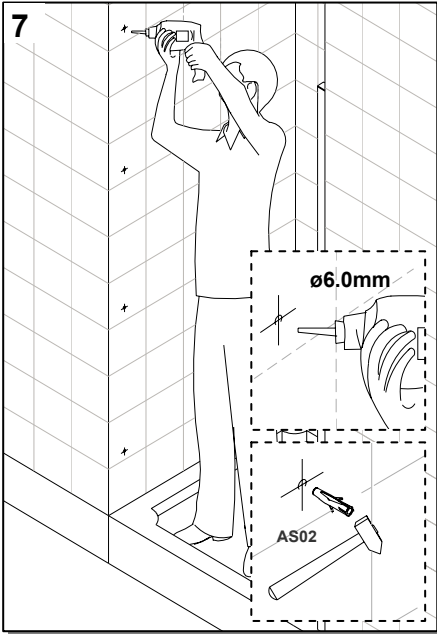
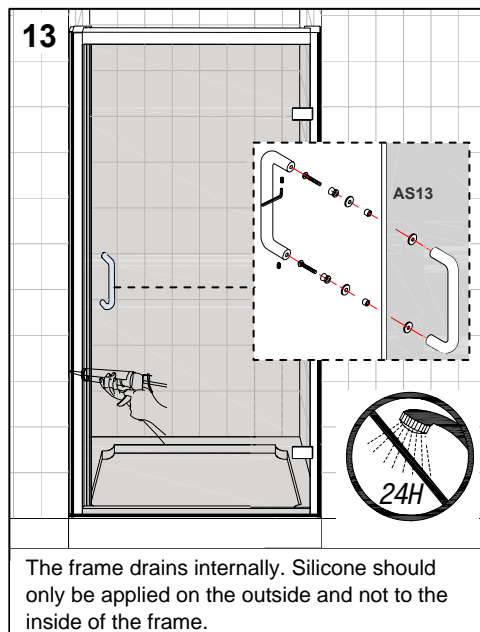
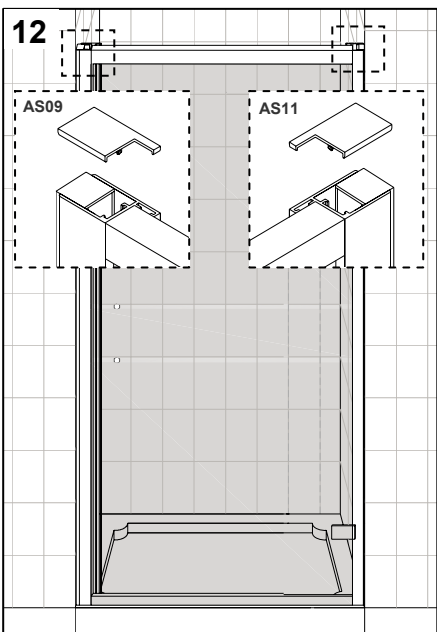
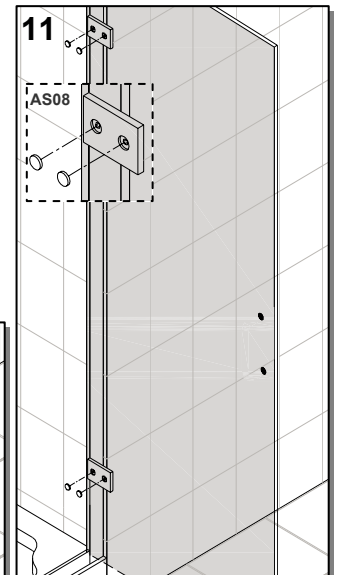
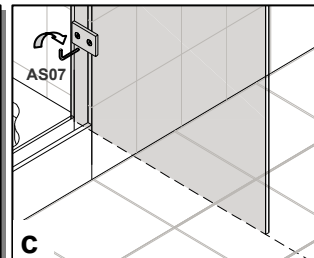
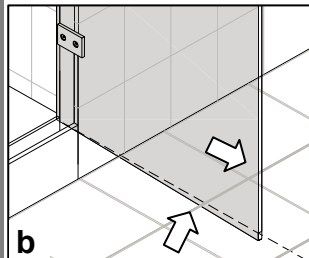
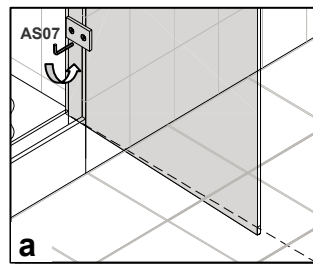
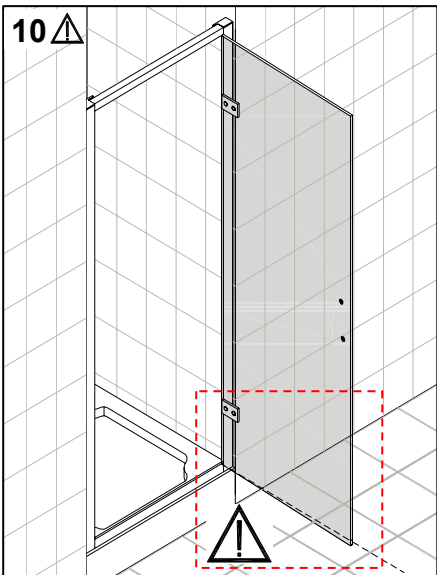


ATLAS 800mm HINGE DOOR
ATLAS 900mm HINGE DOOR
CHROME FRAME CLEAR GLASS





⚠ Only if adjustment is required.



The frame drains internally. Silicone should only be applied on the outside and not to the inside of the frame.

HINGE DOOR
+
SIDE PANEL

