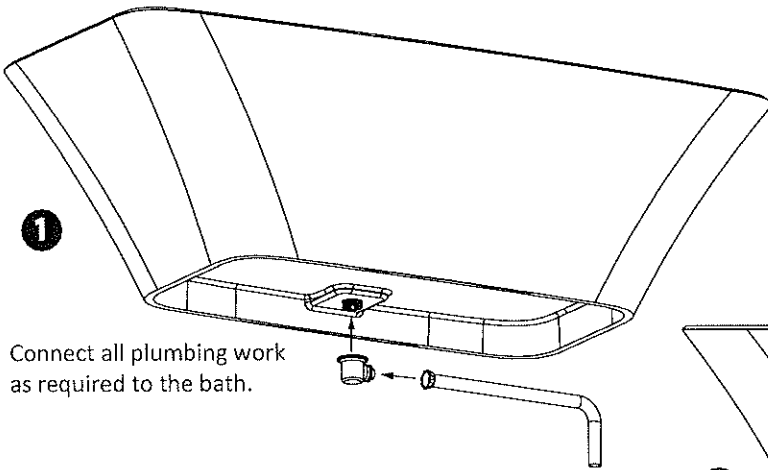


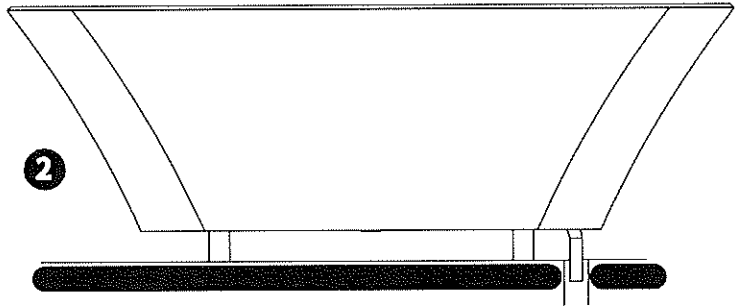
Please ensure that the floor is level before installing your bath.

1



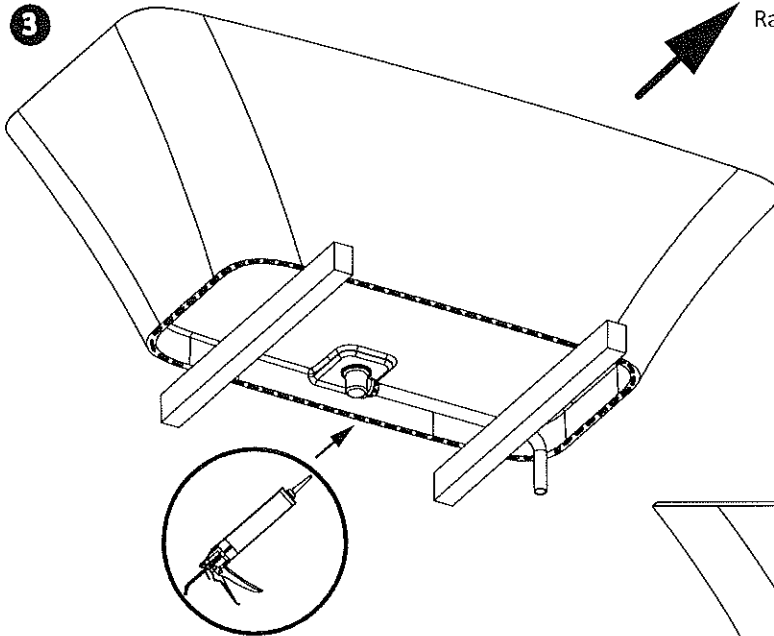
Connect all plumbing work as required to the bath.

2



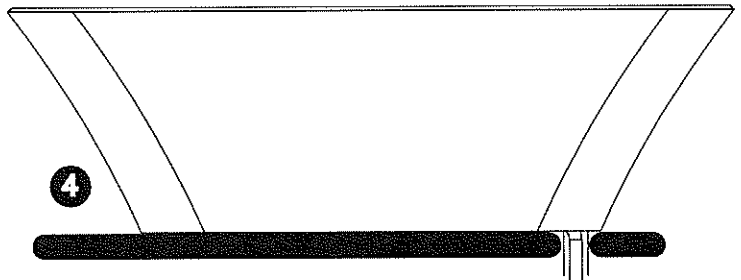
Raise and support the bath above the floor on suitable bearers.

3



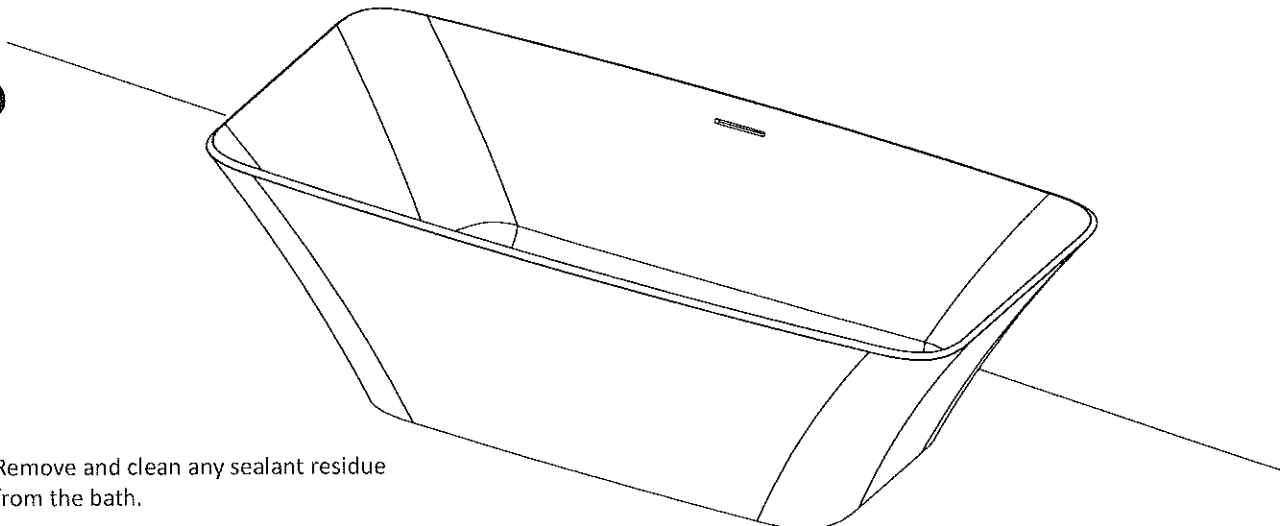
Apply a good quality sealant to the underside of the bath as shown above in step 3.

4



Carefully remove the support bearers and lower the bath into position.

5



Remove and clean any sealant residue from the bath.