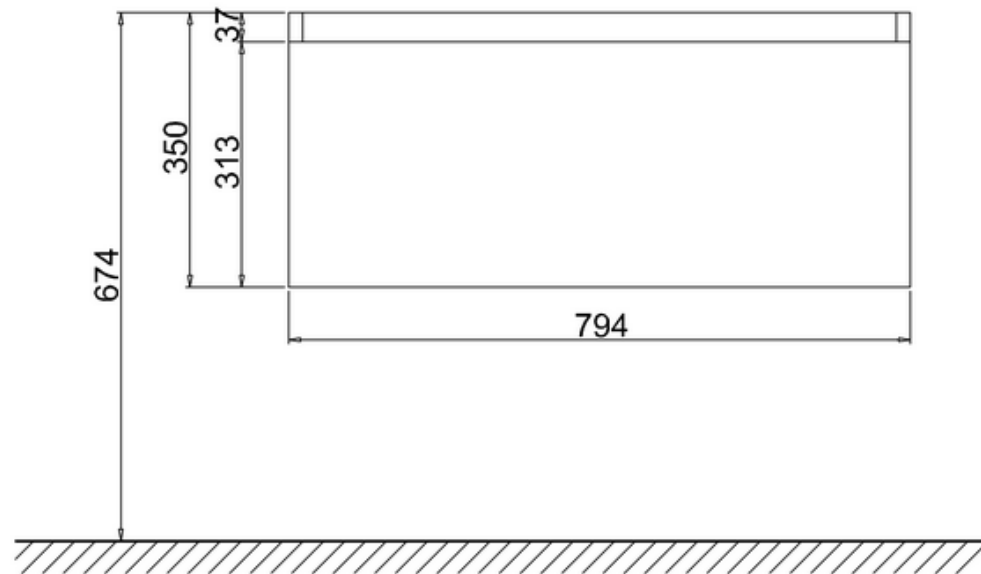
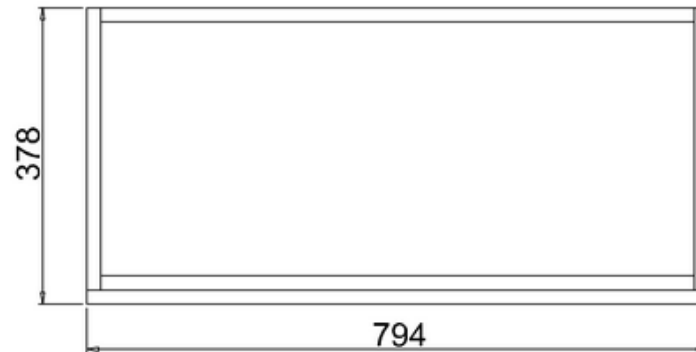
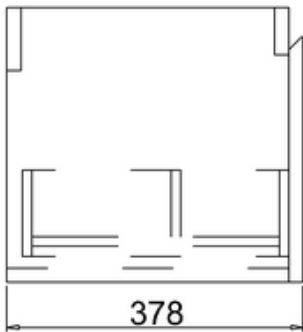




**bathstore**

## 41405018320 - MINO 800 DRAWER UNIT NEBRASKA OAK

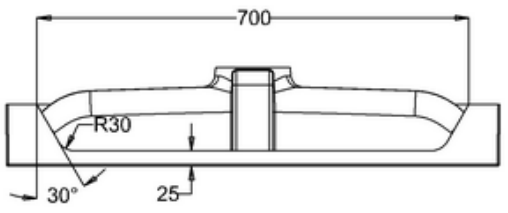
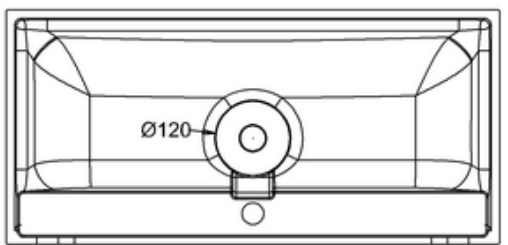
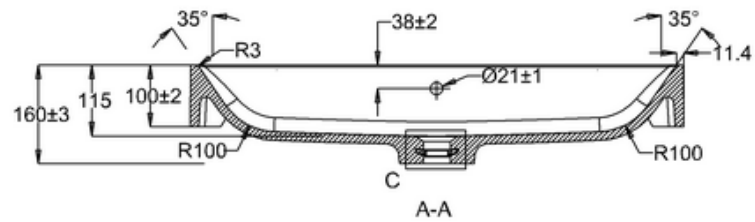
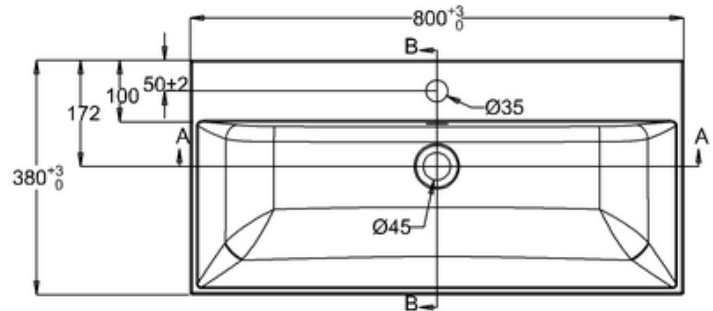
Note:  
width, height dimension  
tolerance is  $\pm 5$ .  
depth dimension tolerance is  $\pm 2$ .



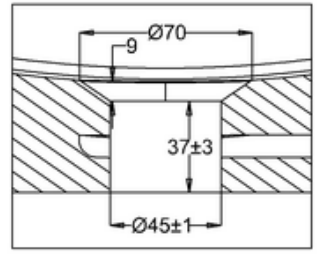
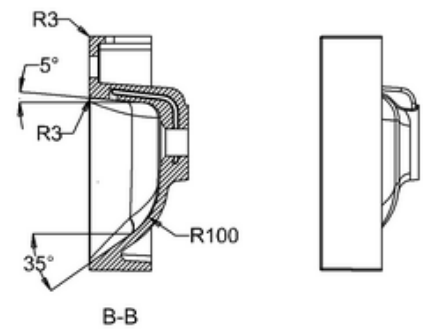


**bathstore**

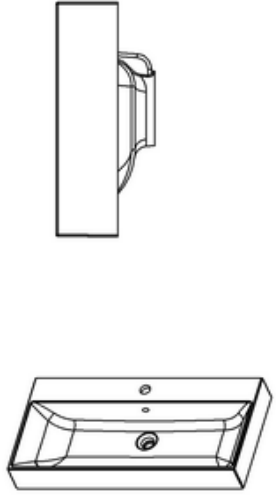
**41405002650 - ARCHIVE 800 BASIN ONE TAP HOLE WHT BNT-838**



The flatness tolerance should be within 2mm



C  
SCALE 1:2



- Remark:
- 1: Flatness of installation surface: 0~2mm
  - 2: Flatness of whole surface: 0~5mm
  - 3: Flatness of main surface: 0~5mm
  - 4: Flatness of side surface: 0~4mm
  - 5: Distance from tap hole to edge of bowl: Max.80mm
  - 6: Dim from basin back to center tap hole: Min.55mm
  - 7: Distance between tap hole to drain hole: Max.170mm
  - 8: Depth from tap platform to drain hole: Max.250mm