

## **AFTERCARE INSTRUCTIONS**

Your fitting has a high quality finish and should be treated with care to preserve the visible surfaces.

All surface finishes will wear if not cleaned correctly, the only safe way to clean your taps is to wipe with a soft damp cloth. Stains can be removed using washing up liquid. All bath cleaning powders and liquids can damage the surface of your fitting even the non-scratch cleaners.

## **GUARANTEE**

All products are manufactured to the highest standards and a 5-year guarantee covers any defect in manufacture.

## **Low & High Cistern Packs**



## **Fitting Instructions & Contents List**

Before starting any installation project please consider:

Prior to drilling into walls, check there are no hidden electrical wires, cables or water supply pipes with the aid of an electronic detector. If you use power tools do not forget:

- Wear eye protection
- Unplug equipment after use



**Please keep these instructions for future reference and request of replacement part**

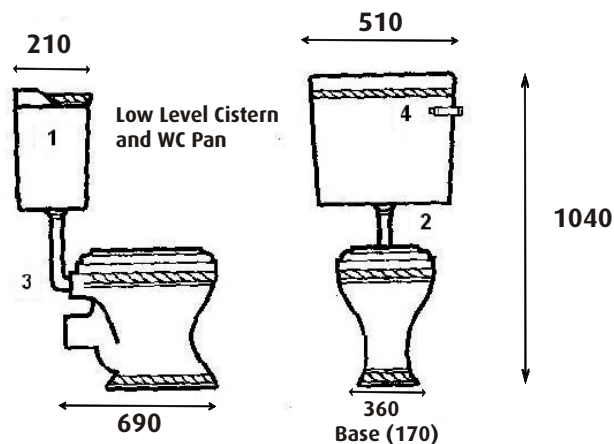


## LOW LEVEL CISTERN INSTALLATION

1. Mount the cistern securely on the wall at the required height using the fixing holes through the rear of the cistern (N. B. The cistern lid must be situated a minimum of 1 metre from the floor to obtain a satisfactory flush.) See HANDY HINT (Below).
2. Place the ornate shroud and retaining ring (thinner of the two supplied) over the top of the flush pipe and insert into the threaded syphon stem (supplied as part of the cistern fittings). Once this is secure, push the ornate shroud up to cover the fittings and secure with the retaining 'O' ring.
3. Insert the lower end of the pipe into the pan via the multi-quick fitting (supplied as part of the cistern fittings).
4. Pass the cistern lever through the orifice on the cistern via the threaded sheath and secure the locking nut. Slide the plastic washer over the cistern lever from inside the cistern, then hold all components in place by inserting the retaining pin through the pre-punched hole in the lever and bend to prevent it from moving. Lastly, slide the plastic fulcrum onto the lever, tighten the grub screw and join it to the existing 'S Hook' on the top of the syphon. (N.B. When installed the external ceramic handle of the lever should point towards 2 o'clock).

## HANDY HINTS - (For both high and low cisterns)

1. If you are installing your cistern on an outside wall, ensure that the black rubber spacing washer are used to create a small gap between the cistern back and the wall. There are two reasons for this; firstly it will help to reduce the possibility of condensation when cold mains pressure is contained within a humid environment. Secondly, the gap will help prevent 'thermal shock'. This is when rapid temperature change occurs (usually overnight) and causes the wall to contract or expand, thus cracking the sanitary ware. When fixing the cistern to the wall it is advisable to insert the screw through a washer (not supplied) on the inside of the cistern. This will prevent the screw damaging the sanitary ware when the screw 'bites'.

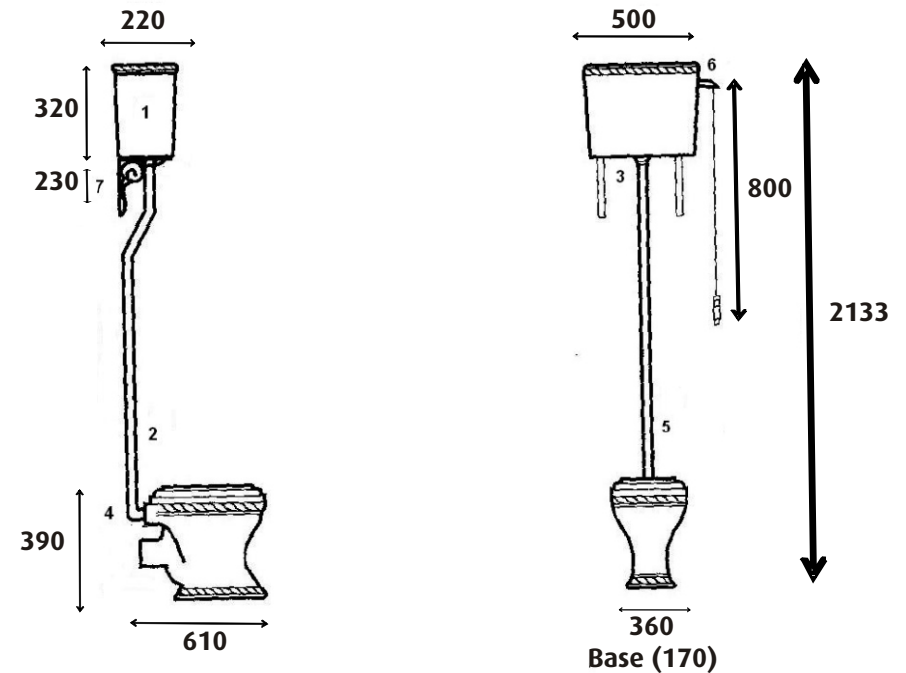


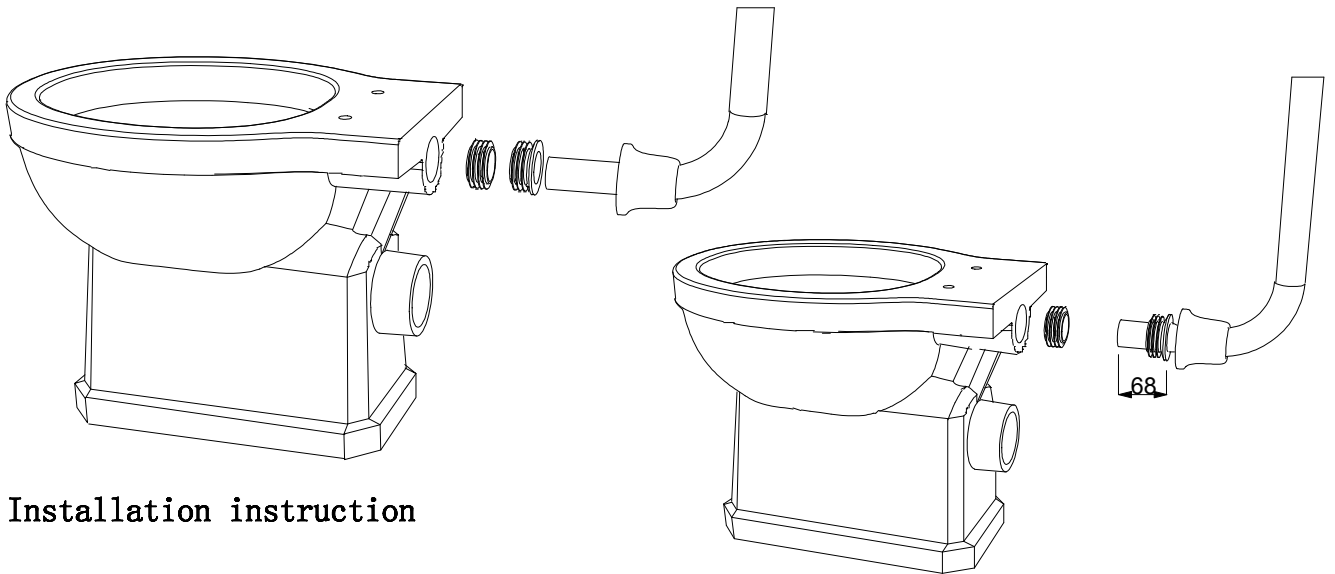
## HIGH LEVEL CISTERN INSTALLATION

1. Mount the cistern securely on the wall at the required height using the fixing holes through the rear of the cistern. (See HINT 1).
2. Join the two flush pipes by using the compression 'O' ring and nut. This will seal the pipe and ensure that it is watertight.
3. Place the ornate shroud and retaining ring (thinner of the two supplied) over the upper flush pipe and insert into threaded syphon stem (supplied as part of cistern fittings). Once this is secure, push the ornate shroud up to cover the fittings and secure with the retaining 'O' ring.
4. Insert the lower end of the pipe into the pan via the multi-quick fitting (supplied as part of the cistern fittings).
5. Use the rubber nipple/buffer clip to prevent collision between the seat and pipe. This clip will also secure the pipe to the wall.
6. Join the fulcrum to the 'S Hook' on the syphon (inside the cistern) and fix the fulcrum to the cistern with the nut and bolt provided, then hang the pull chain/ceramic handle from the fulcrum.
7. Mount the decorative brackets using the screws provided snugly under the cistern (See HINT 2).

## HANDY HINTS - (Just for high cisterns)

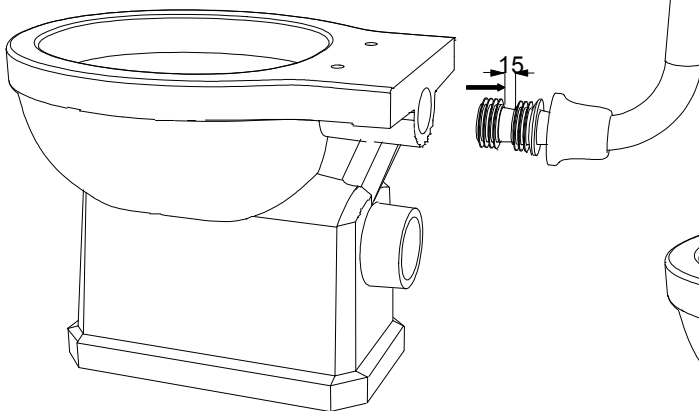
2. The ornate brackets are purely decorative, they should not be used as support from the cistern. Always ensure that the cistern is firmly and securely fixed to the wall via the fixing holes at the rear of the tank.



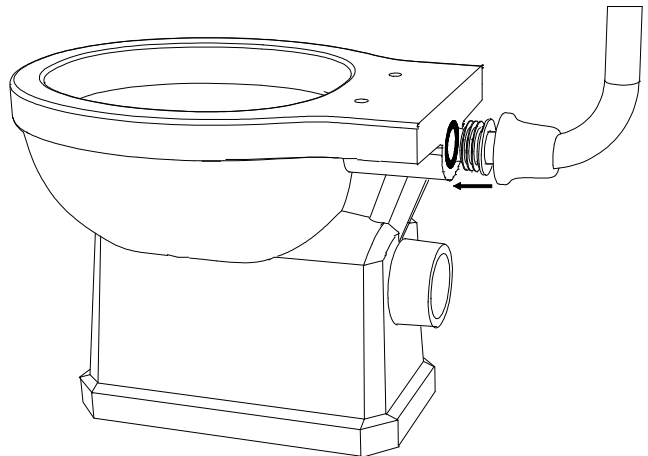


**Installation instruction**

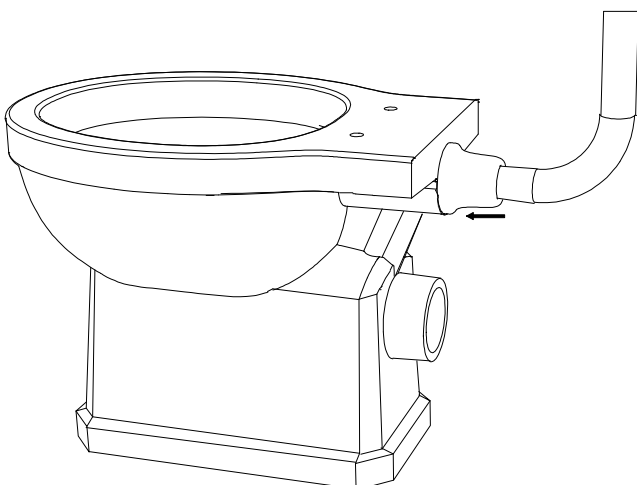
1. Put the bell into the metal pipe. Trap the seal outside of the metal pipe, to a depth of 68mm.



2. Trap another seal outside of the metal pipe, to a distance of 15mm from the first one.

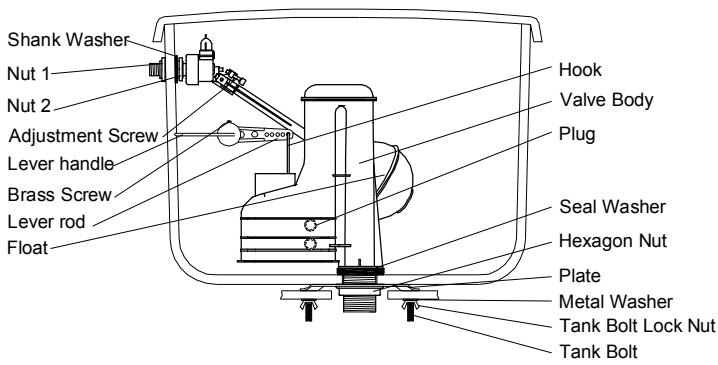


3. Plug the front seal into the inlet.



4. Put the bell near to the inlet.

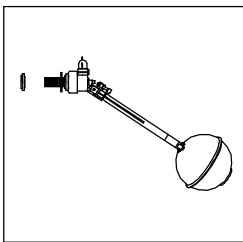
# Installation Instruction



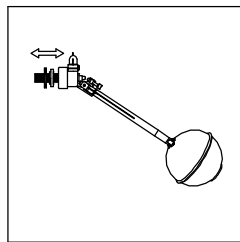
Diagram

**Important:** Before installation, please remove the old fittings and clean the tank. Please clean the water supply pipe first for newly installed one. Do not use chlorine(bleach) cleaners or related products.

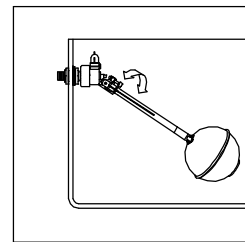
## 1. Fill Valve



Disassemble the Nut 1 for valve installation.

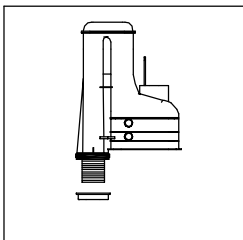


Move Nut 2 to suitable position to avoid interfering with the Flush Valve later.

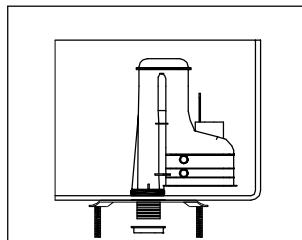


Position VALVE inside tank. Push the Valve Shank to the tank wall while tightening Nut 1. Turn on water supply. Adjust water level by adjusting the Adjustment Screw.

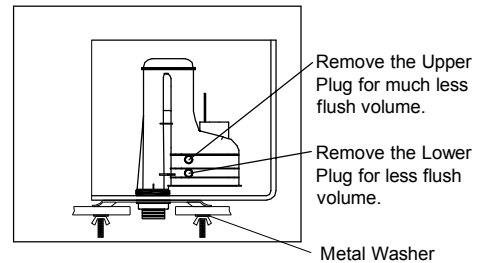
## 2. Flush Valve



Disassemble the Hexagon Nut for Valve installation.

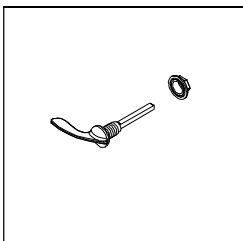


Position the VALVE inside the TANK. Push down on the Valve Body while Nesting the Plate and tightening the Hexagon Nut from outside.

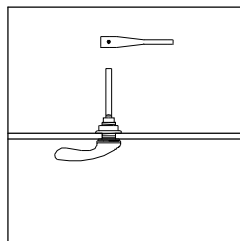


Remove the Upper Plug for much less flush volume.  
Remove the Lower Plug for less flush volume.  
Nest the Metal Washer in the Tank Bolts and fix the Tank to Toilet Bowl with the Tank to Bowl Bolts tightly. Then adjust water flush volume.

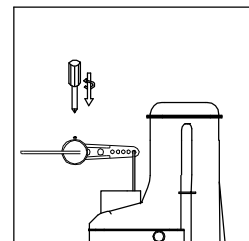
## 3. Front Mount Lever



Unscrew the Nut from the Body by hand .



Insert the Body in the button hole from outside, then tighten it with the Nut.



Position lever Rod and tighten the Brass Screw. Hang the Hook on the rod hole (5 holes for selecting one) and check to assure the level can work properly. Last, check to see whether the kit can work normally without any interference.

**Note:** Subject to the product if any difference.