

TR5070/TR6080/TR6012

FITTING INSTRUCTIONS

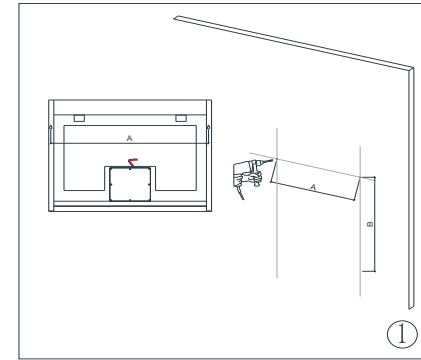
TR5070/TR6080/TR6012

WARNING

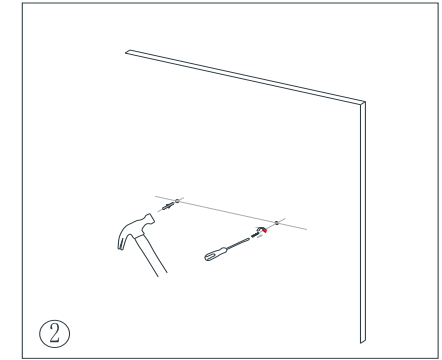
To avoid the risk of electrocution,
please turn off the electricity supply mains
before commencing the installation.

Do not stand the mirror upright on hard surfaces whilst fitting,
as this will damage the edge.

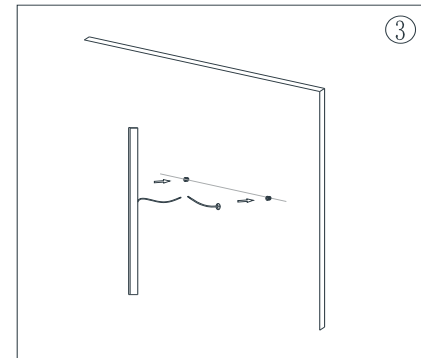
Keep the plastic corner protectors on until installation
is fully completed.



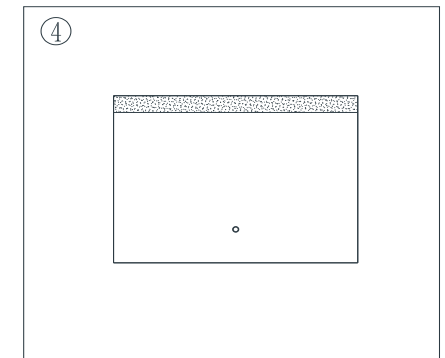
Measure the distance of the mounting
hole, Drill holes with a suitable sized
drill.



Insert the wall plug and mounting
screw into the wall.



Measure the distance of the mounting
hole, Drill holes with a suitable sized
drill.



Peel off protective film and clean the
mirror with damp cloth.

After care

Never use bleach based or window cleaning solution as these may damage the backing of the mirror. We recommend a damp cloth to remove splashes.