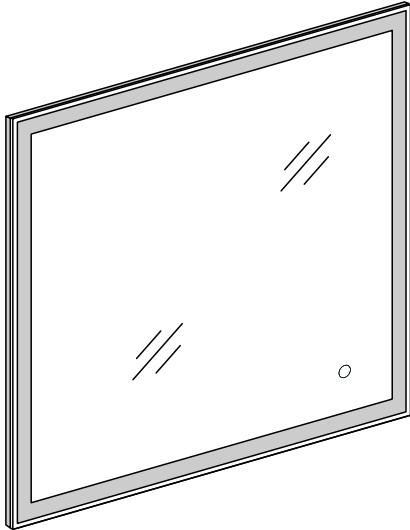


INSTALLATION INSTRUCTION

Model Code: WO7050/WO8050

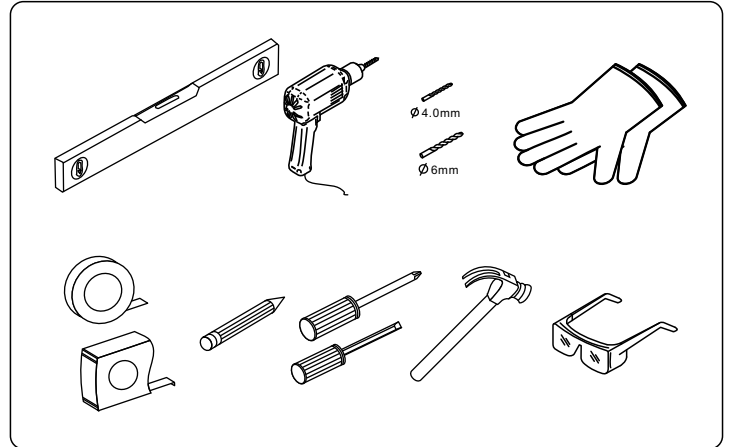
Size: 500*700*40mm / 600*800*40mm

● Mirror diagram



● Tools required

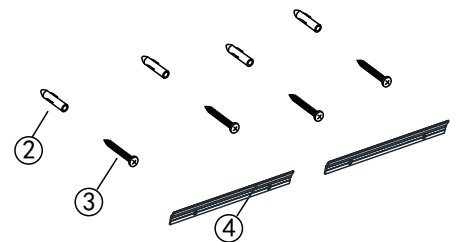
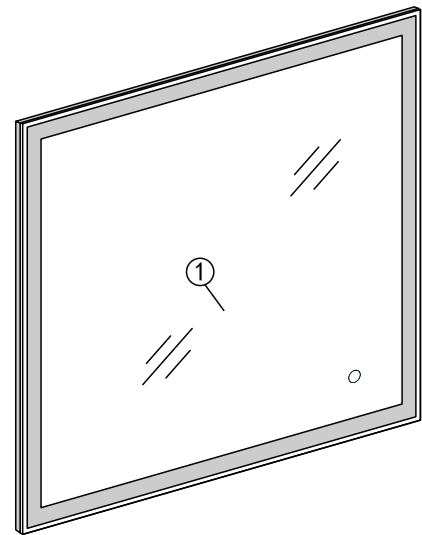
Two persons required for correct installation



● Before Installation

- Please read these instructions carefully before installation.
- Installation should be only carried out by a qualified professional.
- ENSURE THAT ELECTRICAL CONNECTIONS ARE TURNED OFF AT THE CONSUMER UNIT OR FUSE BOARD BEFORE INSTALLING OR CARRYING OUT ANY MAINTENANCE.
- Please take note of the Tools Required prior to commencement of any installation procedures.
- Follow the Installation Steps on Page 2 to ensure that the correct installation method is adhered to. Please also read all operating and safety instructions before commencing any installation to ensure complete understanding of the installation procedure.
- All information provided by these guidelines are based on the latest technical product information. We reserve the right to change the product characteristics, packaging or supply without prior notice.
- These guidelines include maintenance and cleaning advice.
- THIS PRODUCT IS FOR INDOOR USE ONLY.

● Parts listing



WARNING: There may be hidden dangers to people or product during installing. In order to avoid trapping fingers, please pay attention to the open and closed door position.

WARNING: Do not use any acidic or alkaline cleanser or alcohol on this product. Please clean with a damp soft cloth.

WARNING: Keep away from water and electricity when hanging on wall.

IMPORTANT: This product is a one-way hanging mirror. Please make sure that there are no obstacles (i.e. electrical cable / water pipework) inside the wall before commencing installation procedure.

WARNING: This product is fragile - it should be installed by a professional person with suitable protective equipment, as listed in the Tools Required above.

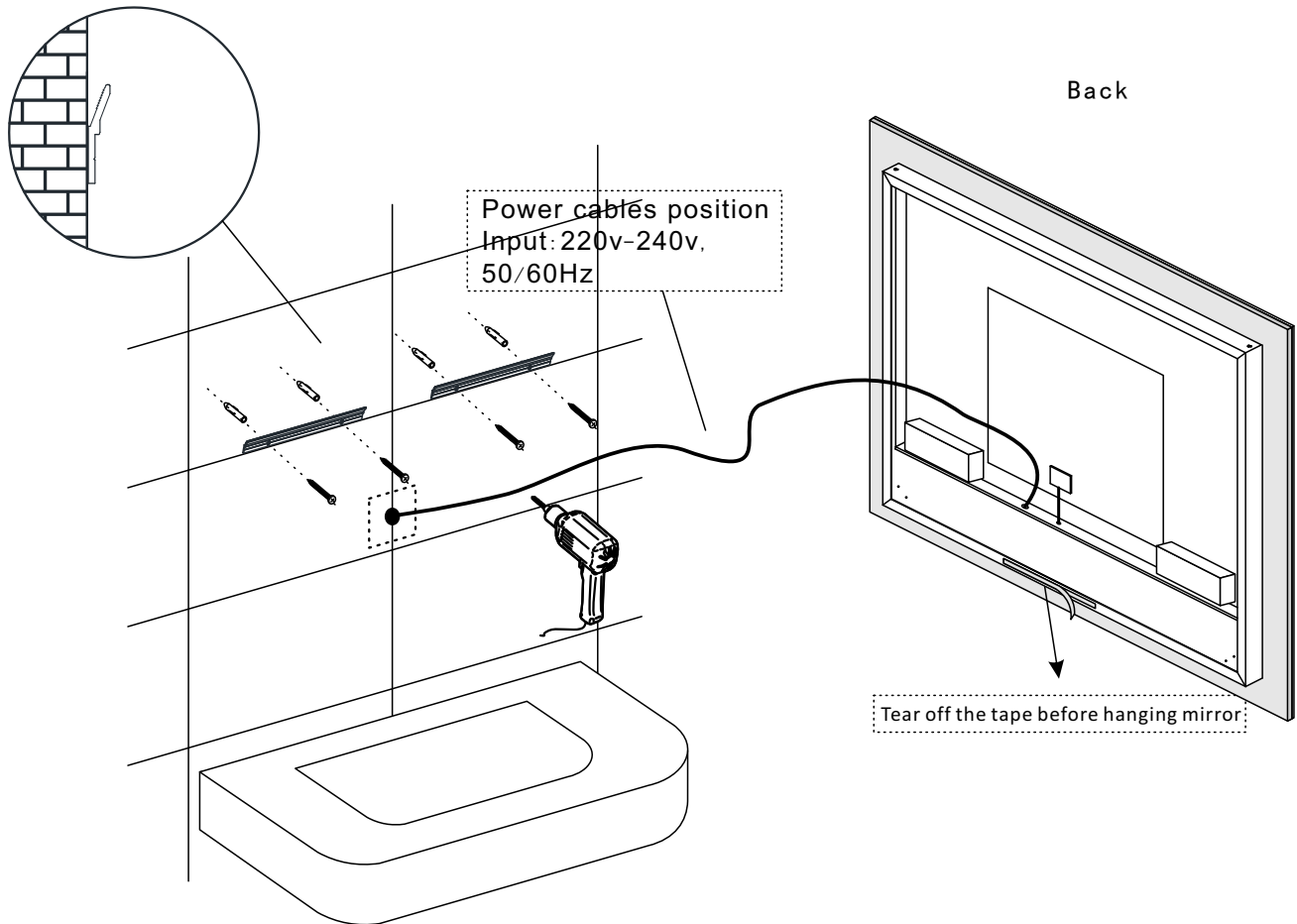
[1] Hanging mirror 1pc

[2] Wall plugs 4pcs

[3] screw st4*35 4pcs

[4] Fixing parts 2pc

● Installation Steps



- **STEP1** Install the fixing parts, connect the wire, then tear off the tap
- **STEP2** Connect the power cable and hang the mirror onto brackets, making sure that the mirror is close to the wall. Gently press the bottom of the mirror to ensure the double-sided adhesive touches the wall

