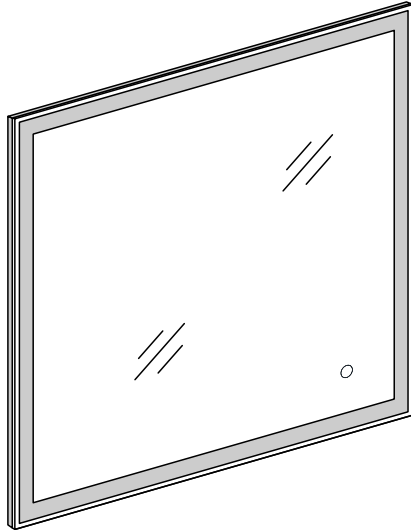


# INSTALLATION INSTRUCTION

Model Code: WO7050/WO8050

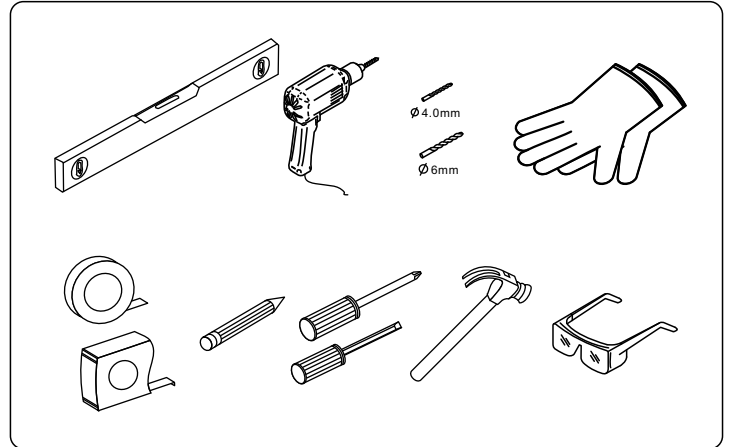
Size: 500\*700\*40mm / 600\*800\*40mm

## ● Mirror diagram



## ● Tools required

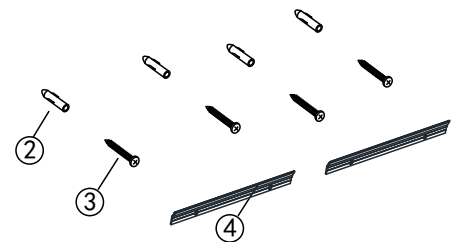
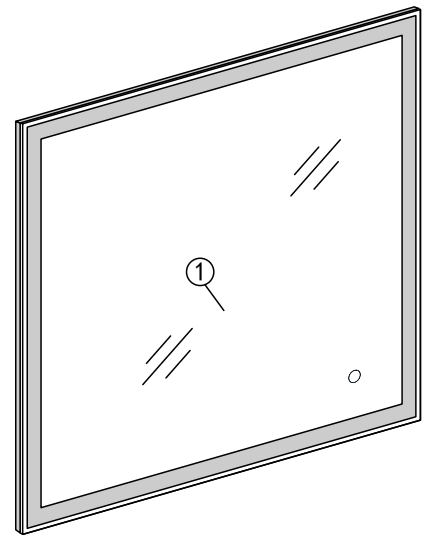
Two persons required for correct installation



## ● Before Installation

- Please read these instructions carefully before installation.
- Installation should be only carried out by a qualified professional.
- ENSURE THAT ELECTRICAL CONNECTIONS ARE TURNED OFF AT THE CONSUMER UNIT OR FUSE BOARD BEFORE INSTALLING OR CARRYING OUT ANY MAINTENANCE.
- Please take note of the Tools Required prior to commencement of any installation procedures.
- Follow the Installation Steps on Page 2 to ensure that the correct installation method is adhered to. Please also read all operating and safety instructions before commencing any installation to ensure complete understanding of the installation procedure.
- All information provided by these guidelines are based on the latest technical product information. We reserve the right to change the product characteristics, packaging or supply without prior notice.
- These guidelines include maintenance and cleaning advice.
- THIS PRODUCT IS FOR INDOOR USE ONLY.

## ● Parts listing



**WARNING:** There may be hidden dangers to people or product during installing. In order to avoid trapping fingers, please pay attention to the open and closed door position.

**WARNING:** Do not use any acidic or alkaline cleanser or alcohol on this product. Please clean with a damp soft cloth.

**WARNING:** Keep away from water and electricity when hanging on wall.

**IMPORTANT:** This product is a one-way hanging mirror. Please make sure that there are no obstacles (i.e. electrical cable / water pipework) inside the wall before commencing installation procedure.

**WARNING:** This product is fragile - it should be installed by a professional person with suitable protective equipment, as listed in the Tools Required above.

[1] Hanging mirror 1pc

[2] Wall plugs 4pcs

[3] screw st4\*35 4pcs

[4] Fixing parts 2pc

