

Pittsburgh Small Industrial Style Firepit

User Instructions - Please keep for future reference

55575
V3.0



Tools required (not included)



X2

IMPORTANT! – Carefully remove any packaging before use, but retain the safety instructions.

These instructions form part of the product.

Please take note of all of the safety warnings listed in these instructions.

Please read these instructions in their entirety and retain them for future reference.

These instructions should be stored with the product.

This product is for domestic use **ONLY** and should not be used commercially or for contract purposes.

Failure to adhere to these instructions could result in property damage, personal injury or death.

WARNINGS - CAUTION!

- This product has a light oiled finish. Please avoid contact with clothing and soft furnishings when assembling.
- This product is intended FOR OUTDOOR USE ONLY. DO NOT USE INDOORS.
- **WARNING!** - ALWAYS keep children and pets at a safe distance from the product when in use.
- NEVER leave a burning fire unattended.
- **DANGER** of carbon monoxide poisoning - NEVER light this product or let it smoulder or cool down in confined spaces.
- DO NOT use this product in a tent, caravan, car, cellar, loft or on a boat.
- DO NOT use under any awnings, parasols or gazebos.
- **FIRE HAZARD** – Hot embers may emit while in use.
- **WARNING!** - DO NOT use petrol, white spirit, lighter fluid, alcohol or other similar chemicals for lighting or relighting. ONLY use firelighters that comply to EN:1860-3.
- This product is ONLY suitable for use with untreated wood, logs or La Hacienda HeatBlox.
- DO NOT use coal or charcoal in this product.
- DO NOT use this product on decking or any other flammable surfaces such as dry grass, wood chips, leaves or decorative bark.
- Ensure that the product is positioned at least 2m away from flammable items. Also ensure that there is a minimum overhead clearance of 2m from the top of the unit.
- DO NOT use this product as a furnace - ONLY use as a patio heater.
- **ATTENTION!** - This product will become very hot. DO NOT move it during operation.
- This product is NOT intended for cooking or heating food.

CARE & USE

- Ensure that the product is positioned on a permanent, flat, secure, heat resistant, non-flammable surface away from flammable items.
- Ensure that the product has a minimum of 2m overhead clearance and has a minimum of 2m clearance from other surrounding items.
- Ensure the model is stable prior to use.
- As this model is made from steel, the surface will age and develop surface rust as soon as it is placed outside and from first use. This is to be expected and is a desirable finish for this product. This does not affect use and is not a product fault.
- For safety reasons, always inspect your product prior to use for signs of fatigue and damage, and replace your model as and when necessary. Continuing to use a damaged unit could cause personal injury or damage to property.
- **ALWAYS** use heat resistant gloves during use and when adding fuel.

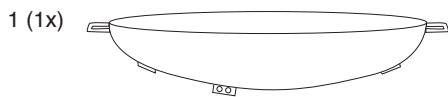
LIGHTING & REFUELLING

- This product is **ONLY** suitable for use with untreated wood, logs or La Hacienda HeatBlox.
- Prepare a stack of loosely crumpled newspaper and place in the bottom of the bowl.
- Pile finely split dry firewood or kindling on top of the paper.
- To light the newspaper, use long safety matches or a long nosed lighter.
- Once sufficiently alight, add logs or larger pieces of untreated wood to the unit to increase the heat slowly.
- **DO NOT** overload with fuel, only one or two logs is sufficient.
- **ALWAYS** use heat resistant gloves when adding fuel as the unit will become very hot.

EXTINGUISHING

- To extinguish – stop adding fuel and allow fire to die or douse with sand. **DO NOT** use water as this may damage the product.

Parts list



A (6x)

B (6x)

2 (3x)

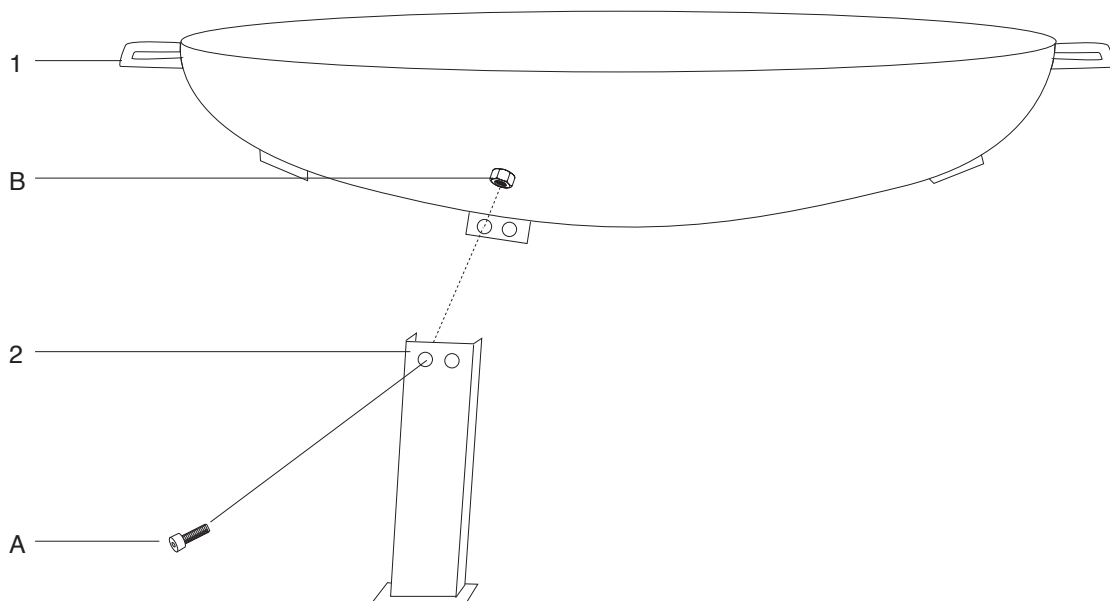


Prior to assembly: read the instructions carefully. Check all parts against the parts list. Carry out assembly on a soft surface to avoid scratching the paint. Please retain this information for future reference.

For ease of assembly only loosely tighten bolts and then tighten fully when assembly is complete.

WARNING! - DO NOT over tighten bolts; only tighten with moderate pressure to avoid damaging the bolts or components of the firepit.

Assembly diagram



Assembly Instructions

IMPORTANT! - Remove any packaging before use, but retain the safety instructions and store them with this product.

ASSEMBLY

STEP 1 - Place bowl (1) upside down on a flat surface.

STEP 2 - Attach 3 x leg (2) to connecting blocks using 2 x bolts (A) and 2 x nuts (B) per leg. Fasten until secure.

STEP 3 - Place the firepit on its feet.

The product is now ready to use but please ensure you have read these instructions thoroughly prior to use.