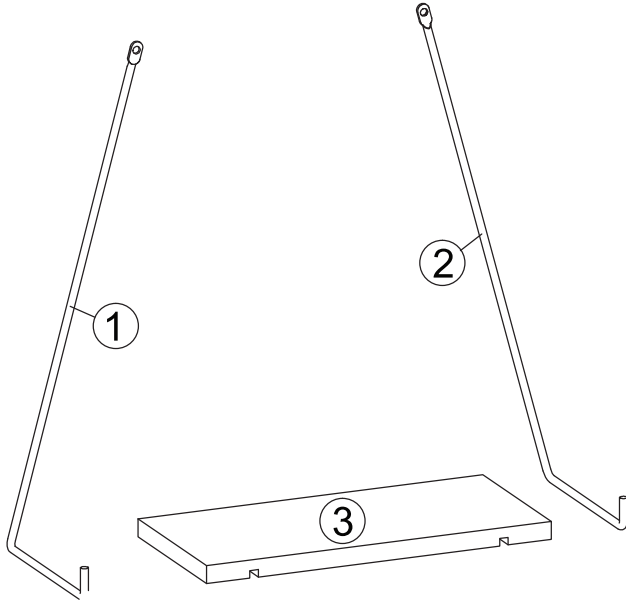


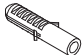
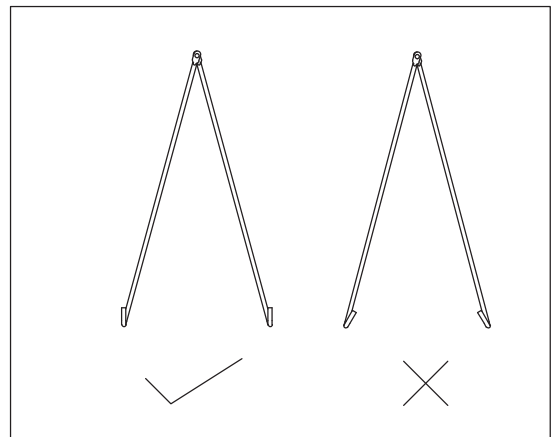
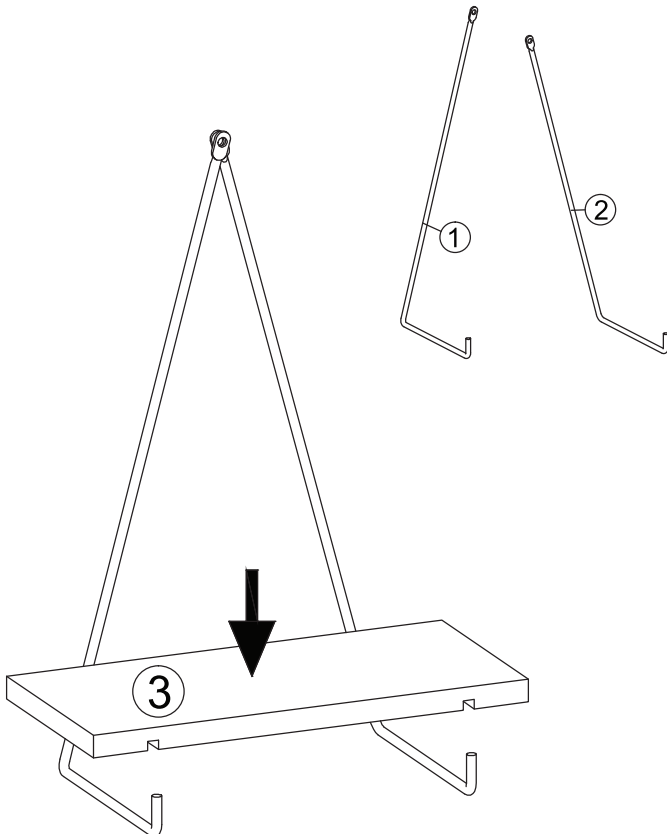


Step 1

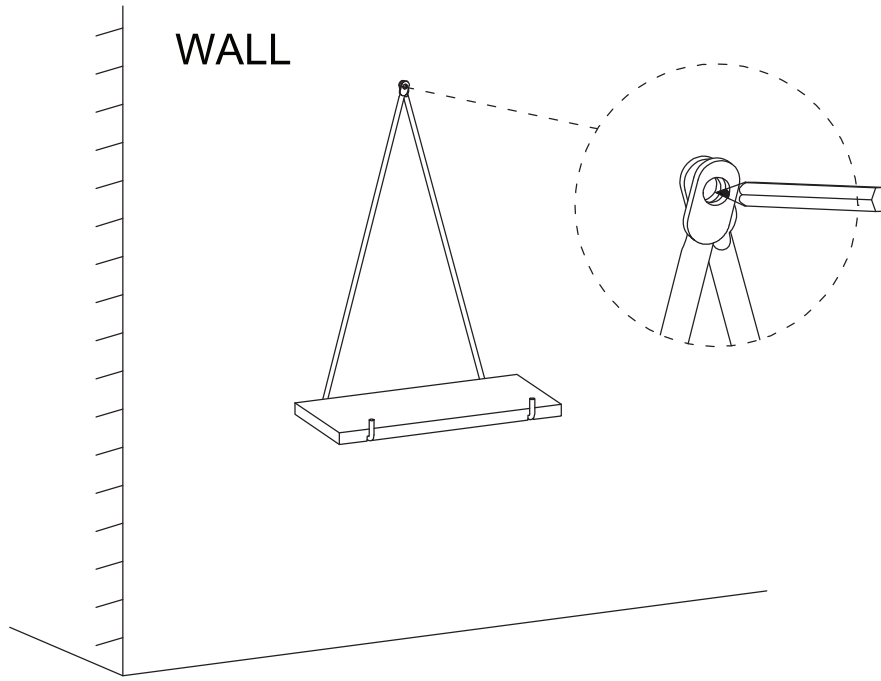


Parts List	
	A x1 pcs
	
	B x1 pcs
	
	C x1 pcs

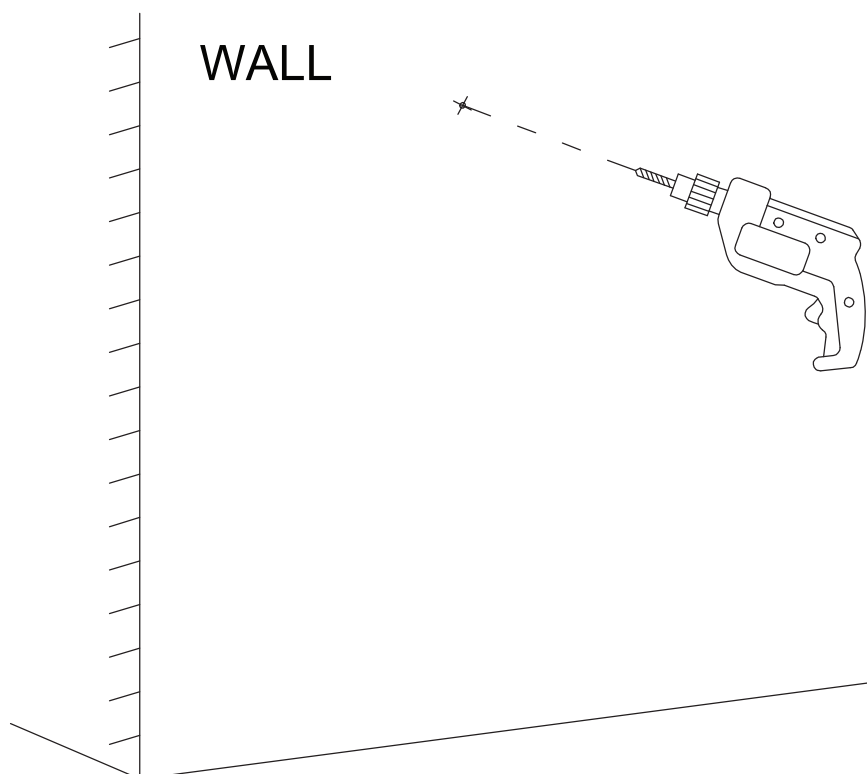
Step 2



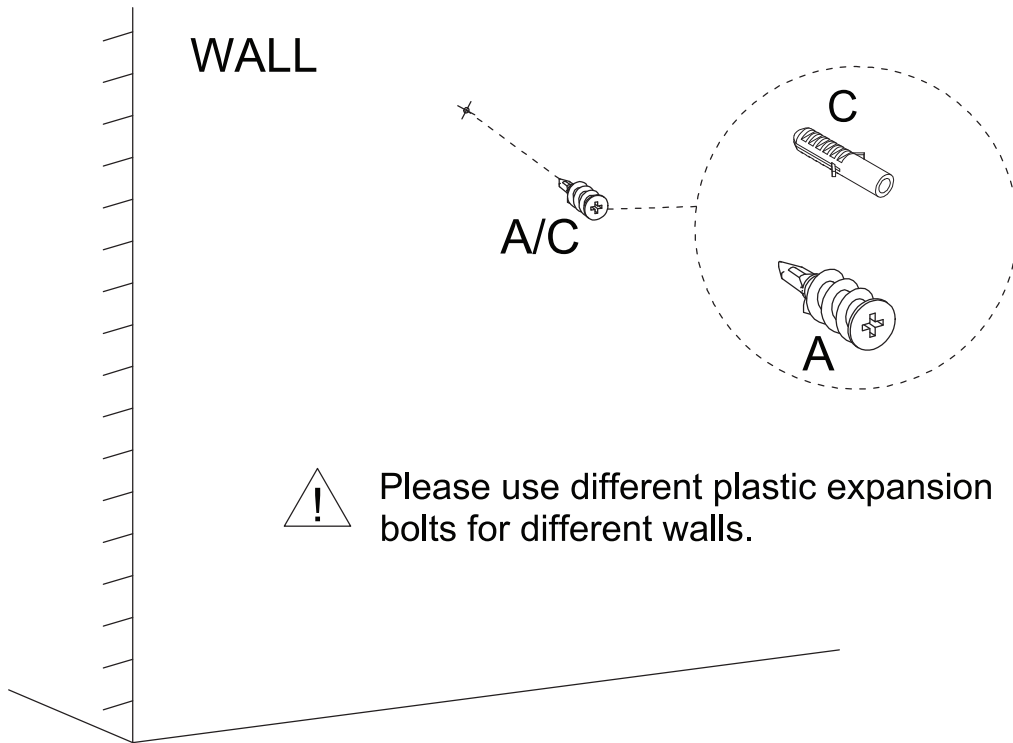
Step 3



Step 4



Step 5



Step 6

